

MMC Series



Australian Representatives
ROJONE, PTY LTD.
Tel: 02 9829 1555
E: sales@rojone.com.au
www.rojone.com.au

Contents

Introduction	7-4
Application	7-4
Features	7-4
Product overview	7-5
Electrical characteristics	7-6
Mechanical & environmental characteristics	7-6
Product materials and masses	7-7
How to order connectors	7-8
Contact arrangements	7-9 & 7-10
Rack guides dimensions	7-11 & 7-12
Fixed jackscrews dimensions	7-13 & 7-14
Rotating jackscrews dimensions	7-15 & 7-16
Block 104 contacts	7-17 to 7-19
Block 158 contacts	7-20 & 7-21
Block 208 contacts	7-22 & 7-23
Contacts	7-24
Front release and front removable contacts	7-24
Equipment wire contacts	7-25
Twisted pair contacts	7-26
Micro-coaxial contacts	7-27
Panel cut out	7-28
Spare parts for guides	7-29
Spare parts for insulators, backshells and shrouds	7-30
Wiring instructions	7-31 to 7-34
Tools	7-35

SECTION 7 TABLE OF CONTENTS

Introduction

The Radiall MMC series was designed in response to the majority of connection problems of cabling installation, internal and external on electrical and electronic equipment. The series conforms to the French specification NF-C-93 426 HE 621-622.

They are made up of a rectangular insulation block which accepts equally male or female contacts fitted with different types of wires and coaxial cables. A large number of accessories are available for the MMC series, including: backshell with cable clamp, contact protection shrouds, and locking. This makes it possible for the connector to be manufactured exactly to the corresponding needs of the user.

Applications

A simple, yet highly reliable construction makes the MMC offering enormously adaptable through use of the broad range of accessories. This has allowed the Radiall MMC series to be widely approved for the use in all civil and military fields such as computers, telecommunications, medical, aeronautical, naval and nuclear.



© Eurocopter - Jérôme DEULIN



© Courtesy of US Army

Features

All of the contacts are removable in order to facilitate replacement, repairs or modification to circuits.

A range of robust manual and automatic tooling with easy to follow instructions provides straight-forward connector/cable assembly. Fully conforms to the French specification NF-C-93 426 HE 621-622.

Product Overview

Detailed view of the various parts of this series connector.

JACKSCREWS

RACK GUIDES

Rotating fixing rod used with backshell

Washer & nut used without backshell

Rotating fixing rod used without backshell

Rotating fixing rod used with backshell

Shroud (optional)

Backshell

Plug connector

Rotating female jackscrew

Male rack guides

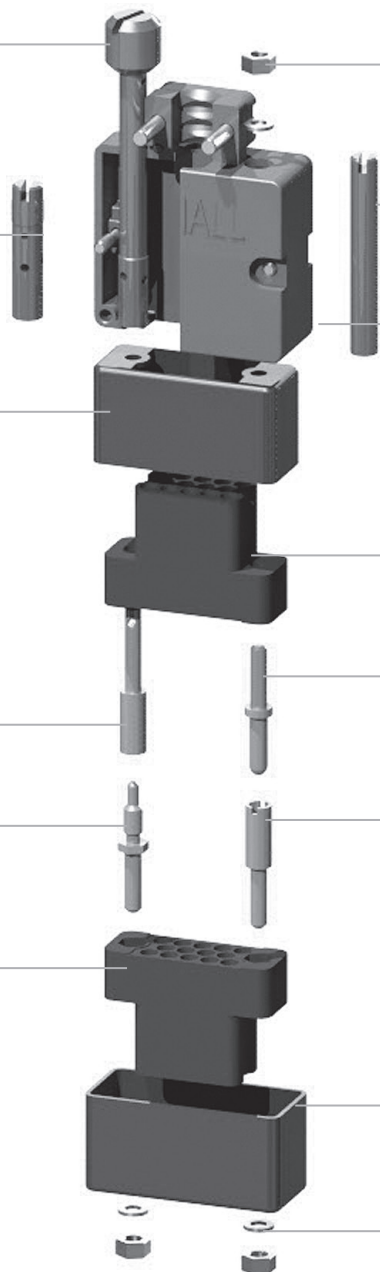
Fixing male jackscrew

Female rack guides

Receptacle connector

Shroud (optional)

Washer & nut



MMC SERIES

Electrical Characteristics

EQUIPMENT WIRE CONTACTS

Wire section	AWG	16	18	20	22	24	26	28
	mm ²	1.34	0.93	0.60	0.38	0.22	0.14	0.093
Current rating (Amp.)		13	10	7.5	5	3	2	1
Maximum Ø on insulation		3.10						
Contact resistance		≤ 5 mΩ						

COAXIAL CONTACTS

- Nominal impedance: 50Ω
- Operating frequency: 0 to 1000MHz
- Dielectric withstanding voltage: 600 V.r.m.s. @ 50Hz (at sea level)
- Insulation resistance: ≥ 5000 MΩ
- Contact resistance: ≤ 12 mΩ

Frequency	0 – 200MHz	200 – 500 MHz	500 – 1000 MHz
Voltage standing wave ratio (VSWR)	1.10	1.15	1.40
Insertion loss by pair (dB)	< 0.015	< 0.025	< 0.025

CONNECTORS

- Insulation resistance: > 5000 MΩ
- Dielectric withstanding voltage: 1500 V.r.m.s. @ 50Hz (at sea level)

MECHANICAL & ENVIRONMENTAL CHARACTERISTICS

- Retention of the contact in moulding: > 50 N (11.24 lbs)
- Mating force per contact pair: < 3.4 N (0.76 lbs)
- Durability: 500 matings
- Vibration: 20 g (0.71 oz) from 80 to 2000 Hz
- Shock: 50 g (1.76 oz)
- Temperature range: -55°C @ +125°C (-131°F to 257°F)
- Humidity: 21 days
- Salt spray: 48H

Product Materials

Description		Material	Plating
Connector		Glass filled phenolic	--
Equipment Wire Contacts	Body Spring Retention clip	Copper alloy	Gold over nickel Gold over nickel Nickel
Coaxial Contacts	Body & center Contacts Ferrule Insulator	Copper alloy Copper alloy PTFE	Gold over nickel Nickel
Rack guide		Brass	Nickel plated
Jackscrews		Stainless steel	--
Shroud		Steel	Yellow chromate cadmium plated
Backshell		Zinc or aluminium alloy	Painted black
Strain relief cable clamp		Stainless steel	--

Product Masses

Size	Masses g (oz)	Type
14	7 [0.246]	Plug connector
20	8 [0.282]	
26	11 [0.388]	
34	19 [0.670]	
42	22 [0.776]	
690501	7 [0.246]	Receptacle connector
690511	8 [0.282]	
690521	11 [0.388]	
690531	19 [0.670]	
690541	22 [0.776]	
690962	2 [0.070]	Rack guide
690952		
690963		
690953	8 [0.282]	
690965	6 [0.211]	Short jackscrew
690955		
690966	15 [0.529]	Long jackscrew
690949	18 [0.634]	
690956	16 [0.564]	
690939	18 [0.634]	

References	Masses g (oz)	Type
690940	15 [0.529]	Shroud male
690941	16 [0.564]	
690942	18 [0.634]	
690943	22 [0.776]	
690930	14 [0.493]	Shroud female
690931	15 [0.529]	
690932	17 [0.599]	
690933	25 [0.881]	
690905	57 [2.010]	Backshell top entry
690908	65 [2.292]	
690911	77 [2.716]	
690914	101 [3.562]	
690917	125 [4.409]	
20521500	39 [1.375]	Backshell side entry
[14] 690848001	14 [0.493]	Strain relief top entry
[20] 690848002	16 [0.564]	
[26] 690848003	18 [0.634]	
[50] 690848006	28 [0.987]	
[75] 690848007	40 [1.410]	

How to Order Connectors

A pair of MMC connectors is made up of the following:

- A block "P" (plug)
- A block "R" (receptacle)

Of identical dimensions but distinguished by:

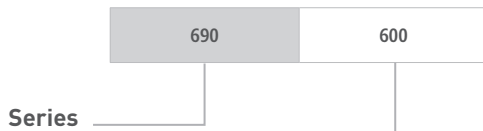
- The engraved letters "P" and "R" on the mating faces
- The contact identification and position of the cavities is a mirror image of the mating half.

Each block "P" and "R" must be fitted with male and female guides or jackscrews.

- On the block P female guide beside hole 1 or A
- On the block R male guide beside hole 1 or A (in order to prevent mismatching and misalignment).

PART NUMBERING

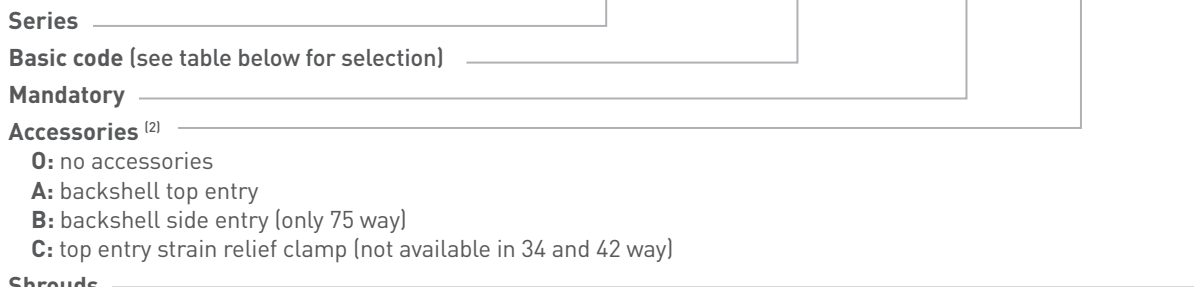
Connectors with guides (without other accessories)



Series _____

Basic code (see table below for selection)

Connectors with accessories



Series _____

Basic code (see table below for selection)

Mandatory _____

Accessories ⁽²⁾ _____

- O:** no accessories
- A:** backshell top entry
- B:** backshell side entry (only 75 way)
- C:** top entry strain relief clamp (not available in 34 and 42 way)

Shrouds _____

- O:** no shroud
- A:** male shroud without polarizing ⁽¹⁾
male shroud with polarizing ⁽²⁾
- F:** female shroud without polarizing ⁽¹⁾
female shroud with polarizing ⁽²⁾

In	1	3	5	7
code	B	C	D	E
In	1	3	5	7
code	G	H	J	K



Number of contacts	Rack guides		Fixed jackscrews		Rotating jackscrews	
	Plug	Receptacle	Plug	Receptacle	Plug	Receptacle
14	400	500	701	700	600	602
20	410	510	711	710	610	612
26	420	520	721	720	620	622
34	430	530	731	730	630	632
42	440	540	741	740	640	642
50	450	550	751	750	650	652
75	460	560	761	760	660	662

Example: 701 goes with 602

NOTES:

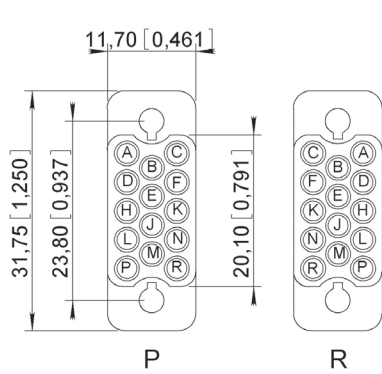
(1) Not available in 42 way

(2) Not available in 14 way

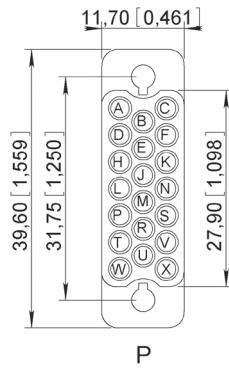
When connector has a shroud with polarizing, polarization starts from the cavity A or 1 side of the connector (refer to page 7-30)

Contact Arrangements

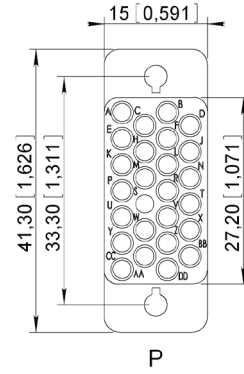
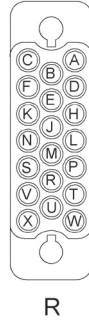
VIEW WIRING SIDE mm (inch)



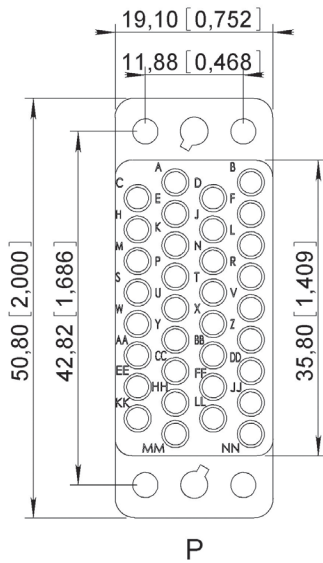
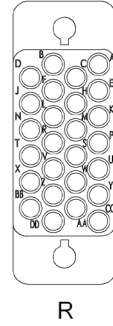
14 contacts



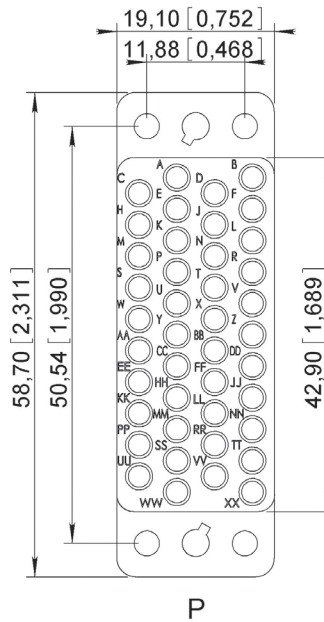
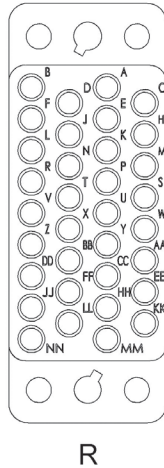
20 contacts



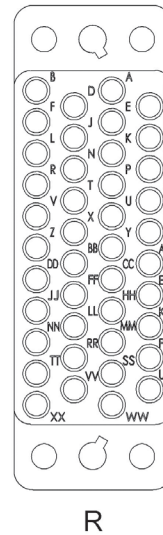
26 contacts



34 contacts



42 contacts

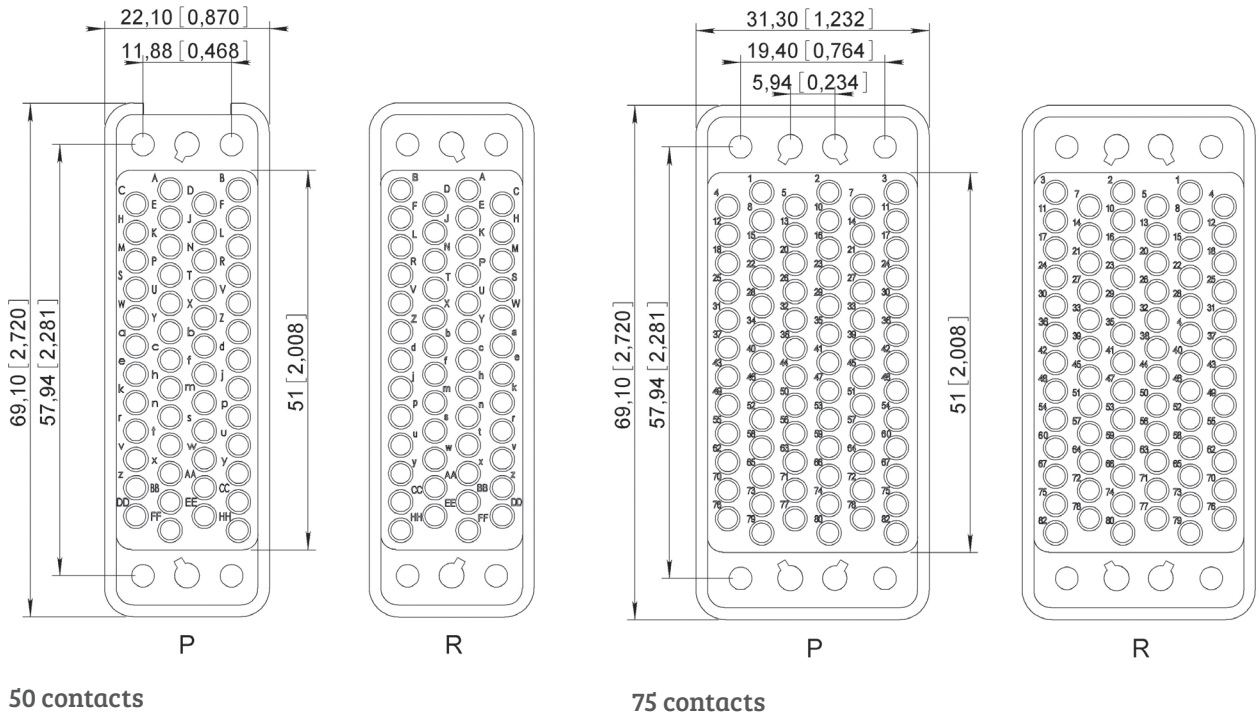


MMC SERIES

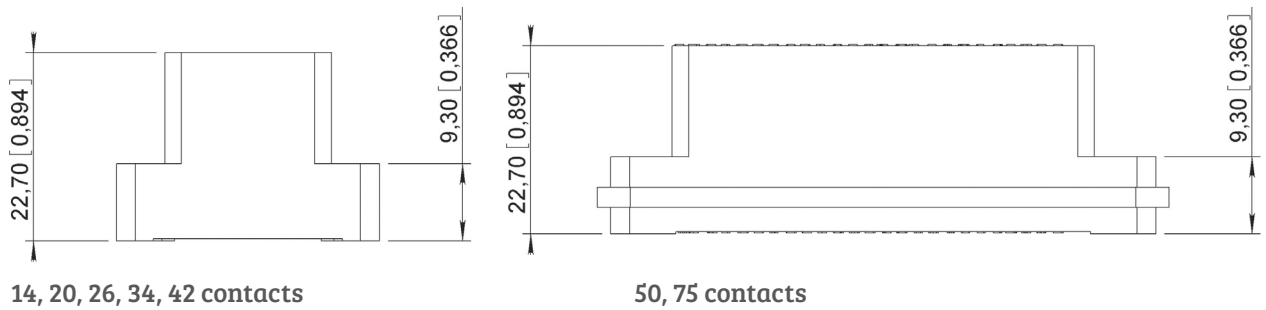
MMC SERIES

Contact Arrangements

VIEW WIRING BLOCK mm (inch)

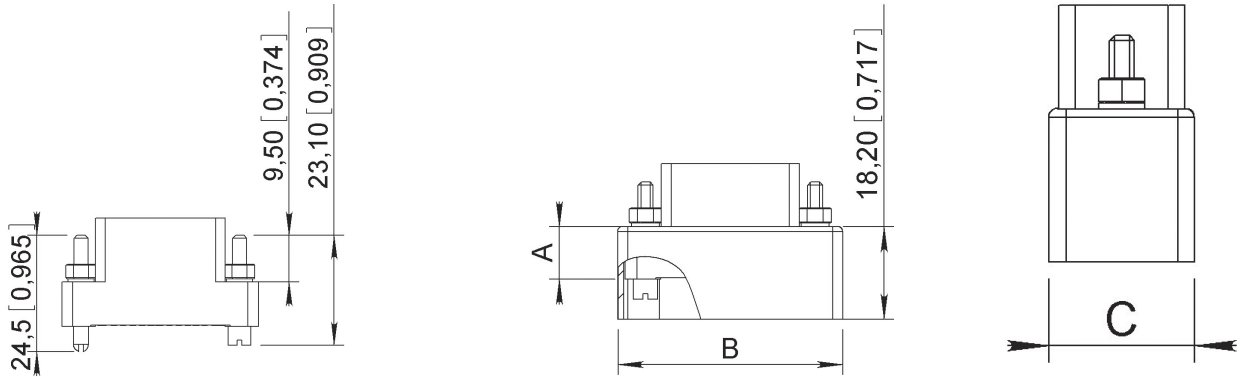


HEIGHT DIMENSIONS mm (inch)



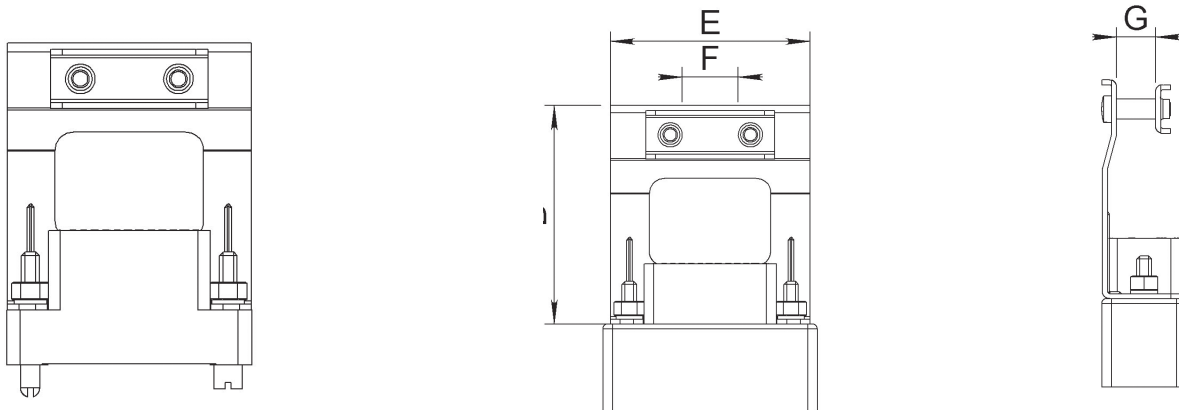
Rack Guides Dimensions

CONNECTOR BLOCK mm (inch)



Number of contacts	A	B		C	
		Male	Female	Male	Female
14	10.1 (.397)	34.8 (1.370)	37.2 (1.464)	14.2 (.559)	16.6 (.653)
20		42.2 (1.661)	45.1 (1.775)		
26		44.2 (1.740)	46.1 (1.826)		
34	10.3 (.405)	54 (2.126)	56.4 (2.220)	22.2 (.874)	24.6 (.968)
42	Shroud not available				
50	10.3 (.405)	72 (2.834)	74.6 (2.937)	25.3 (.996)	27.8 (1.094)
75		72.4 (2.850)	74.7 (2.940)	34.4 (1.354)	37 (1.456)

STRAIN RELIEF CABLE CLAMP (top entry) mm (inch)

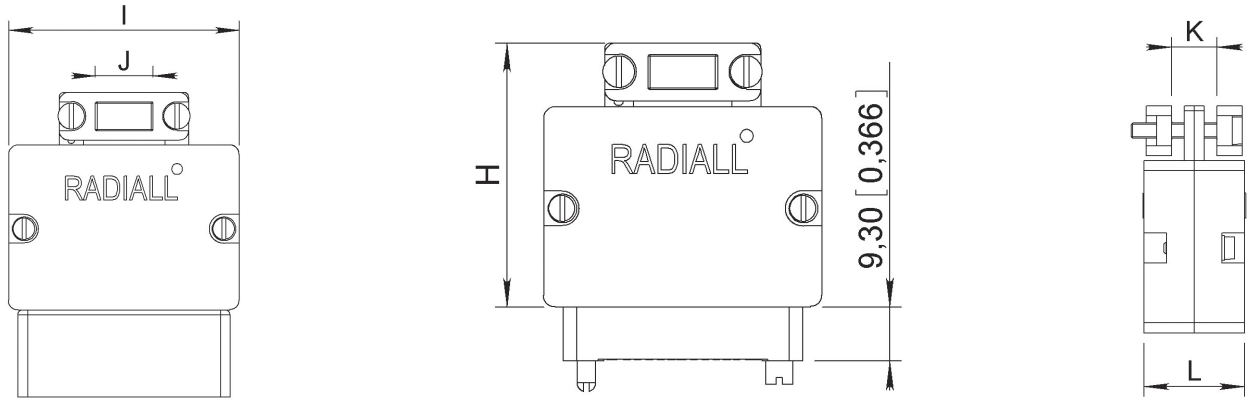


Number of contacts	D	E	Cable entry dimensions	
			F	G max
14	44 (1.732)	31.5 (1.240)	5 (.197)	8 (.315)
20		39.5 (1.555)	12 (.472)	
26		41.1 (1.618)		10 (.394)
34	Cable clamp not available			
42	Cable clamp not available			
50	53 (2.086)	65.6 (2.582)	26 (1.023)	14 (.551)
75				18 (.708)

MMC SERIES

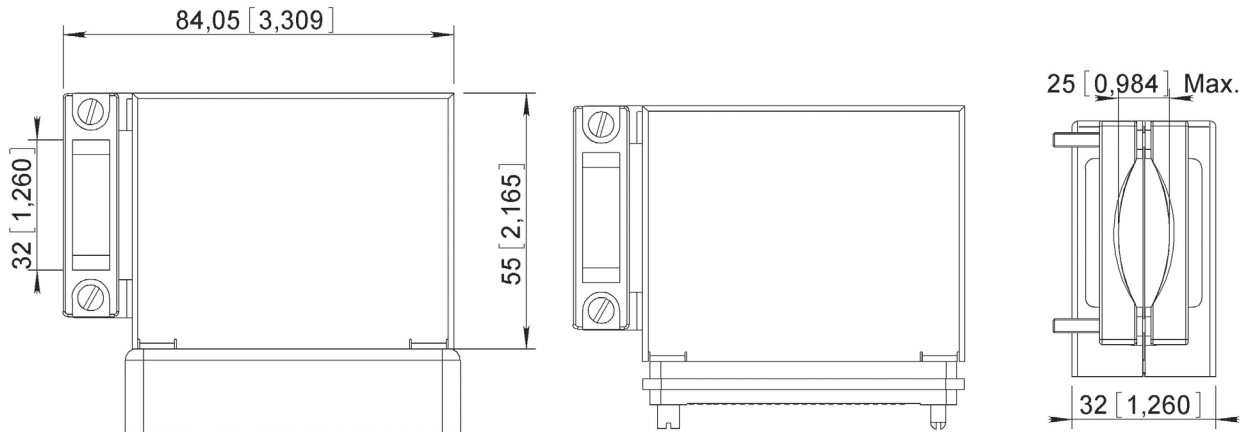
Rack Guides Dimensions

BACKSHELL TOP ENTRY - mm (inch)



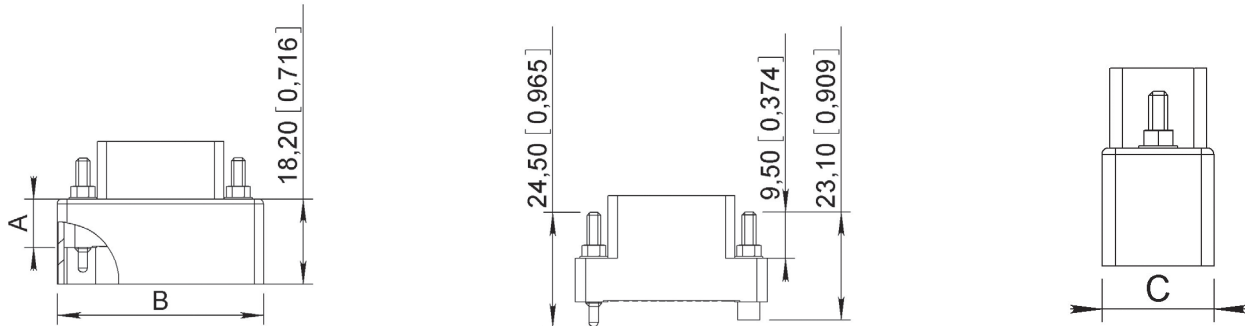
Number of contacts	H	I	Cable entry dimensions		L
			J	K max	
14	46 [1.811]	39 [1.535]	7.6 [.299]	13 [.512]	17 [.670]
20		47 [1.850]	15 [.590]		
26		48.5 [1.909]	17 [.670]		
34	52.5 [2.067]	53.5 [2.106]	22 [.866]	20 [.787]	24 [.945]
42	47 [1.850]	61 [2.401]	32 [1.260]	12 [.472]	21.5 [.846]
50	66.5 [2.618]	68.5 [2.697]	26 [1.023]	21 [.827]	25 [.984]
75	47 [1.850]	68 [2.677]	40 [1.575]		30.5 [1.200]

BACKSHELL SIDE ENTRY - available only for 75 way mm (inch)



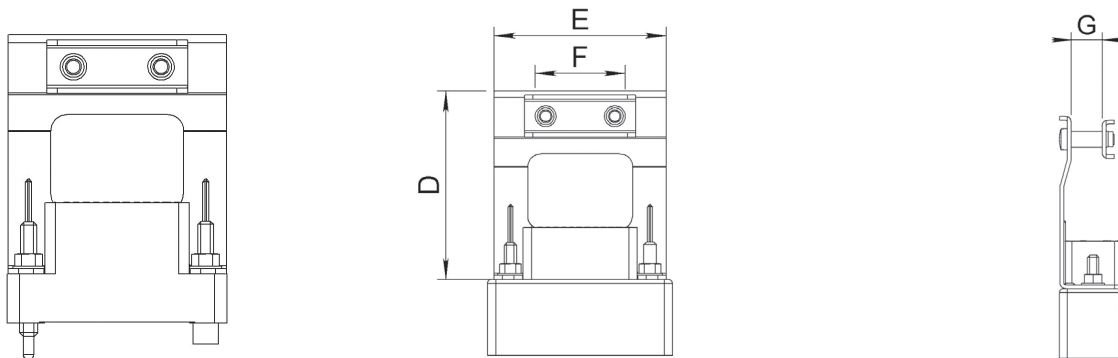
Fixed Jackscrews Dimensions

CONNECTOR BLOCK mm (inch)



Number of contacts	A	B		C	
		Male	Female	Male	Female
14	10.1 (.397)	34.8 (1.370)	37.2 (1.464)	14.2 (.559)	16.6 (.653)
20		42.2 (1.661)	45.1 (1.775)		
26		44.2 (1.740)	46.4 (1.827)		
34	10.3 (.405)	54 (2.126)	56.4 (2.220)	22.2 (.874)	24.6 (.968)
42	Shroud not available				
50	10.3 (.405)	72 (2.834)	74.6 (2.937)	25.3 (.996)	27.8 (1.094)
75		72.4 (2.850)	74.7 (2.940)	34.4 (1.354)	37 (1.456)

STRAIN RELIEF CABLE CLAMP (top entry) mm (inch)

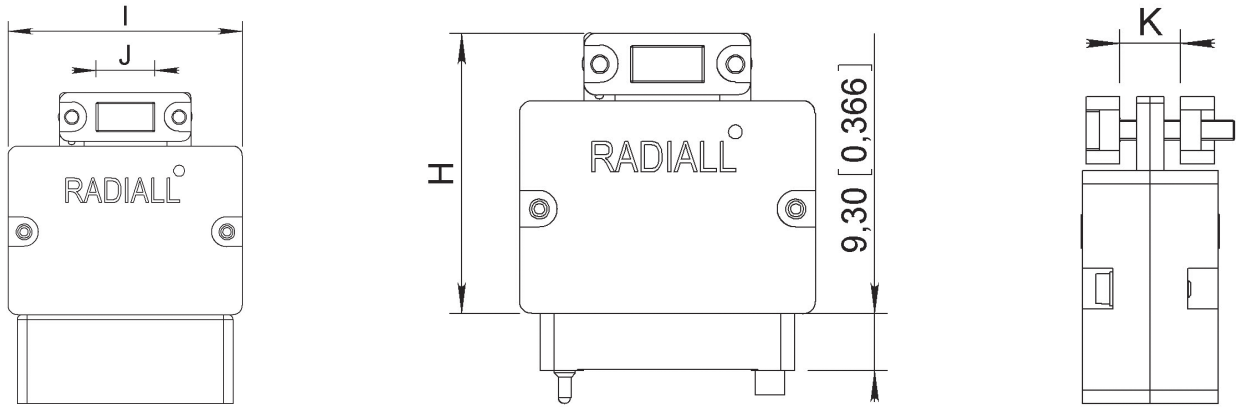


Number of contacts	D	E	Cable entry dimensions	
			F	G max
14	44 (1.732)	31.5 (1.240)	5 (.197)	8 (.315)
20		39.5 (1.555)		
26		41.1 (1.618)	12 (.472)	
34	Cable clamp not available			
42	Cable clamp not available			
50	53 (2.086)	65.6 (2.582)	26 (1.023)	14 (.551)
75				18 (.708)

MMC SERIES

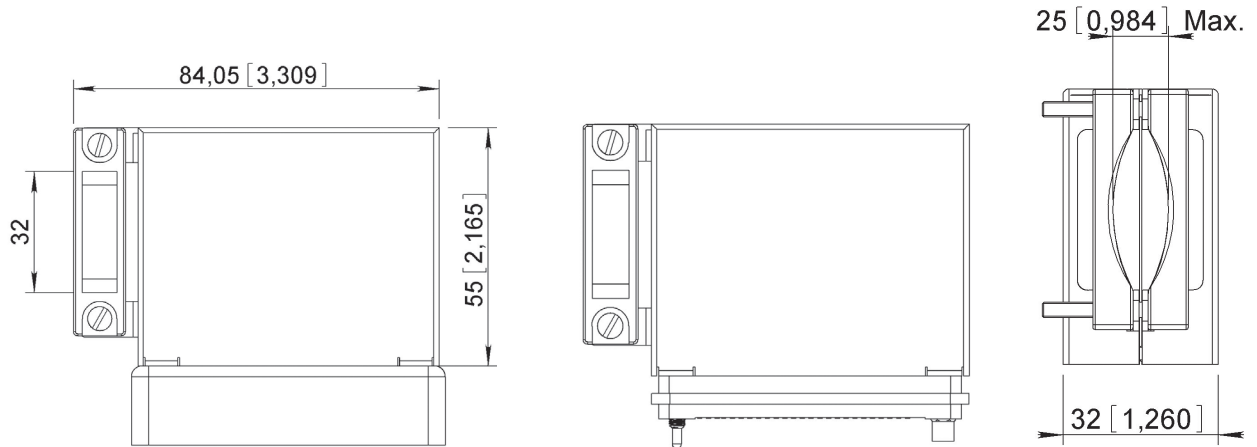
Fixed Jackscrews Dimensions

BACKSHELL TOP ENTRY - mm (inch)



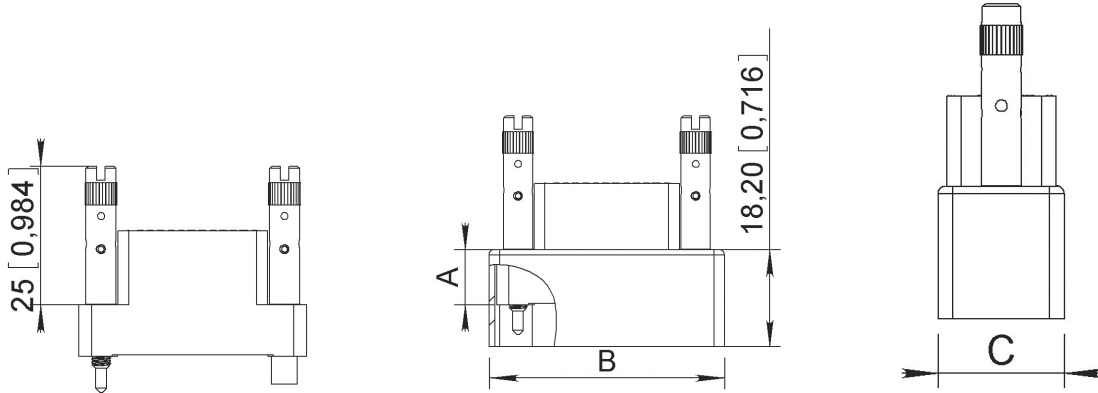
Number of contacts	H	I	Cable entry dimensions		L
			J	K max	
14	46 [1.811]	39 [1.535]	7.6 [.299]	13 [.512]	17 [.670]
20		47 [1.850]	15 [.590]		
26		48.5 [1.909]	17 [.670]		
34	52.5 [2.067]	53.5 [2.106]	22 [.866]	20 [.787]	24 [.945]
42	47 [1.850]	61 [2.401]	32 [1.260]	12 [.472]	21.5 [.846]
50	66.5 [2.618]	68.5 [2.697]	26 [1.023]	21 [.827]	25 [.984]
75	47 [1.850]	68 [2.677]	40 [1.575]		30.5 [1.200]

BACKSHELL SIDE ENTRY - available only for 75 way mm (inch)



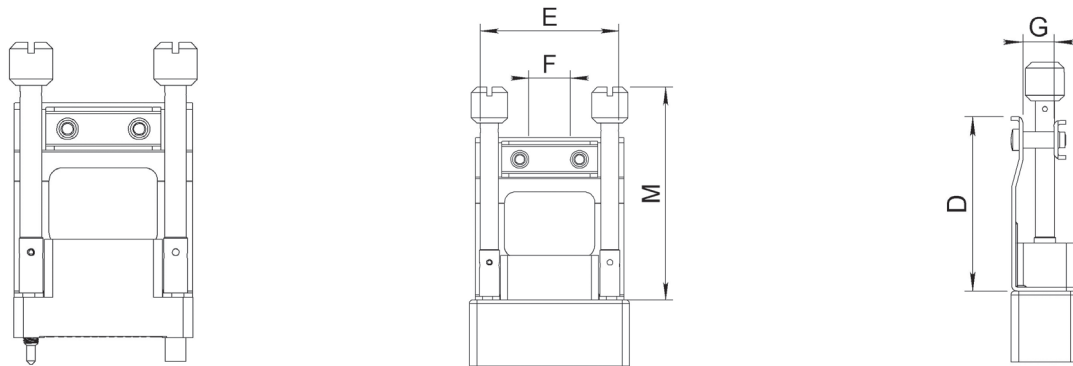
Rotating Jackscrews Dimensions

CONNECTOR BLOCK mm (inch)



Number of contacts	A	B		C	
		Male	Female	Male	Female
14	10.1 [.397]	34.8 [1.370]	37.2 [1.464]	14.2 [.559]	16.6 [.653]
20		42.2 [1.661]	45.1 [1.775]		
26		44.2 [1.740]	46.4 [1.827]		
34	10.3 [.405]	54 [2.126]	56.4 [2.220]	22.2 [.874]	24.6 [.968]
42	Shroud not available				
50	10.3 [.405]	72 [2.834]	74.6 [2.937]	25.3 [.996]	27.8 [1.094]
75		72.4 [2.850]	74.7 [2.940]	34.4 [1.354]	37 [1.456]

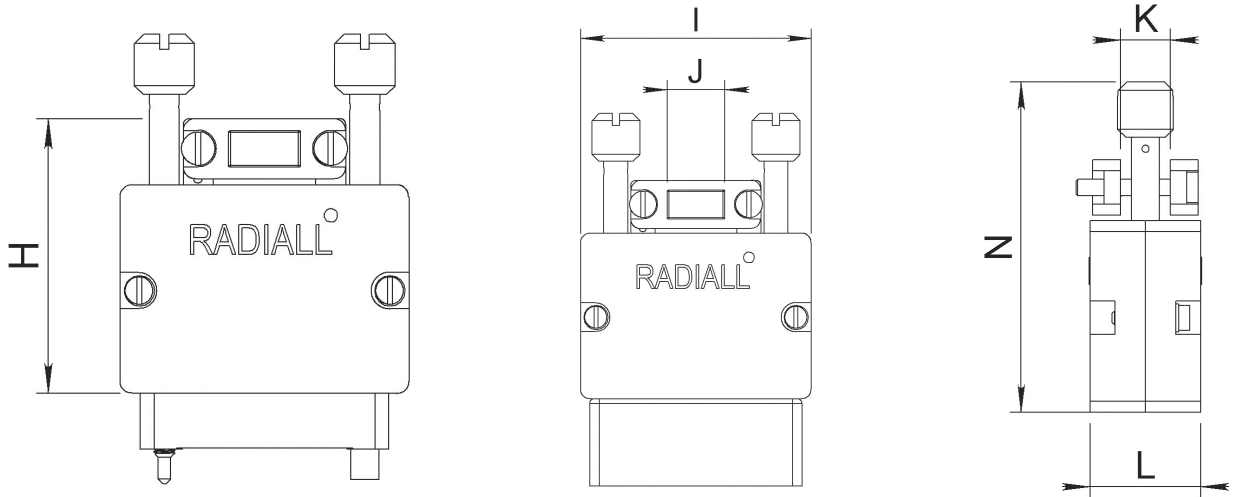
STRAIN RELIEF CABLE CLAMP (top entry) mm (inch)



Number of contacts	D	E	M	Cable entry dimensions	
				F	G max
14	44 [1.732]	31.5 [1.240]	60 [2.362]	5 [.197]	8 [.315]
20		39.5 [1.555]		12 [.472]	
26		41.1 [1.618]			10 [.394]
34	Cable clamp not available				
42	Cable clamp not available				
50	53 [2.086]	65.6 [2.582]	64 [2.519]	26 [1.023]	14 [.551]
75					18 [.708]

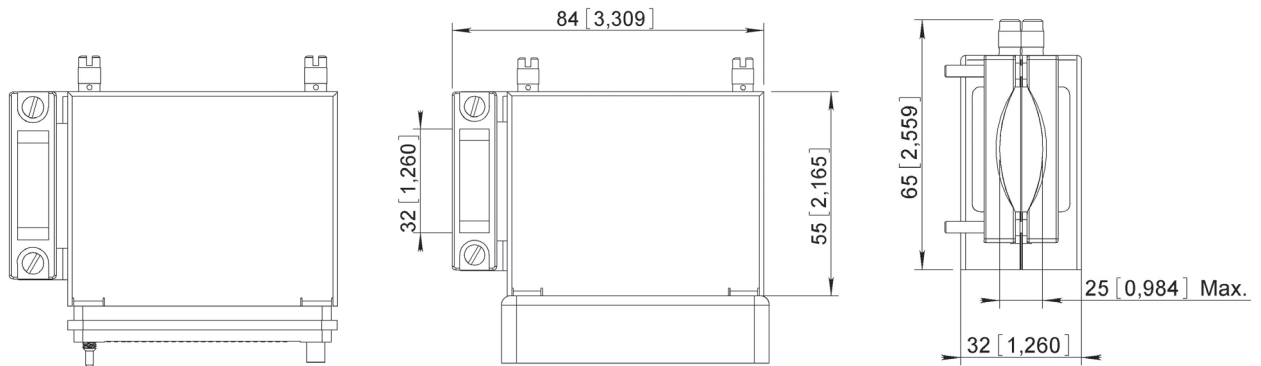
Rotating Jackscrews Dimensions

BACKSHELL TOP ENTRY mm (inch)



Number of contacts	H	I	Cable entry dimensions		L	N
			J	K max		
14	46 [1.811]	39 [1.535]	7.6 [.299]	13 [.512]	17 [.670]	60 [2.362]
20		47 [1.850]	15 [.590]			
26		48.5 [1.909]	17 [.670]			
34	52.5 [2.067]	53.5 [2.106]	22 [.866]	20 [.787]	24 [.945]	64 [2.519]
42	47 [1.850]	61 [2.401]	32 [1.260]	12 [.472]	21.5 [.846]	
50	66.5 [2.618]	68.5 [2.697]	26 [1.023]	21 [.827]	25 [.984]	78 [3.071]
75	47 [1.850]	68 [2.677]	40 [1.575]		30.5 [1.200]	

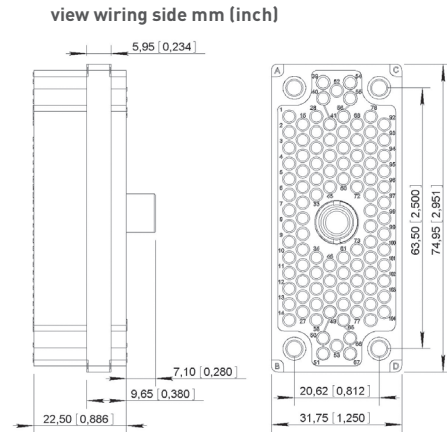
BACKSHELL SIDE ENTRY - available only for 75 way mm (inch)



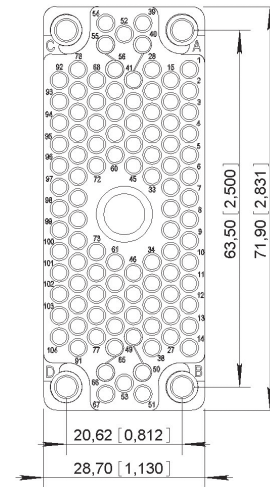
Block 104 Contacts

MMC SERIES

Central guide	R Type - Rack guides				Part number
	A	B	C	D	
Mates with all the blocks P	No guides				690571
	Female	Male	Male	Female	690570
	Female	--	--	Female	690572
	Female	Female	Female	Female	690573



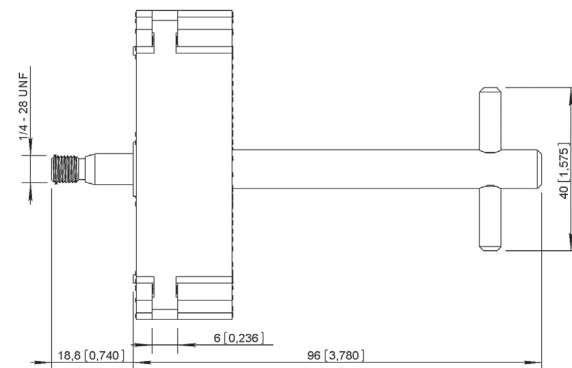
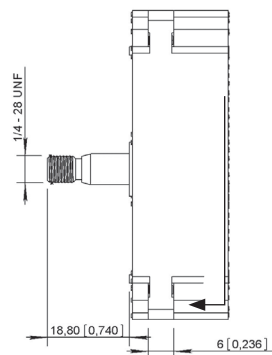
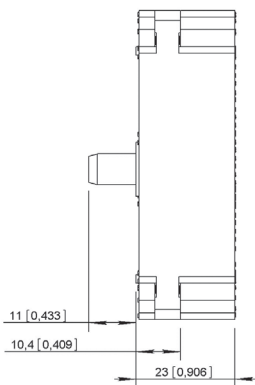
Central guide	P Type - Rack guides				Part number
	A	B	C	D	
Central rack guide	No guides				690481
	Male	Female	Female	Male	690480
	Male	--	--	Male	690482
	Male	Male	Male	Male	690483
Sunken Hex. Nut 4 A/F	No guides				690471
	Male	Female	Female	Male	690470
	Male	--	--	Male	690472
	Male	Male	Male	Male	690473
Central jackscrew	No guides				690476
	Male	Female	Female	Male	690475
	Male	--	--	Male	690477
	Male	Male	Male	Male	690478



Rack guide

Sunken Hex. nut

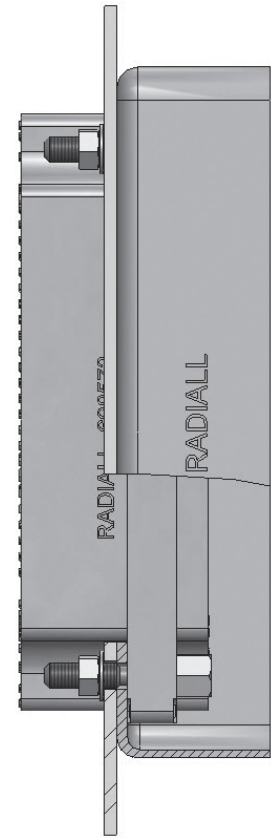
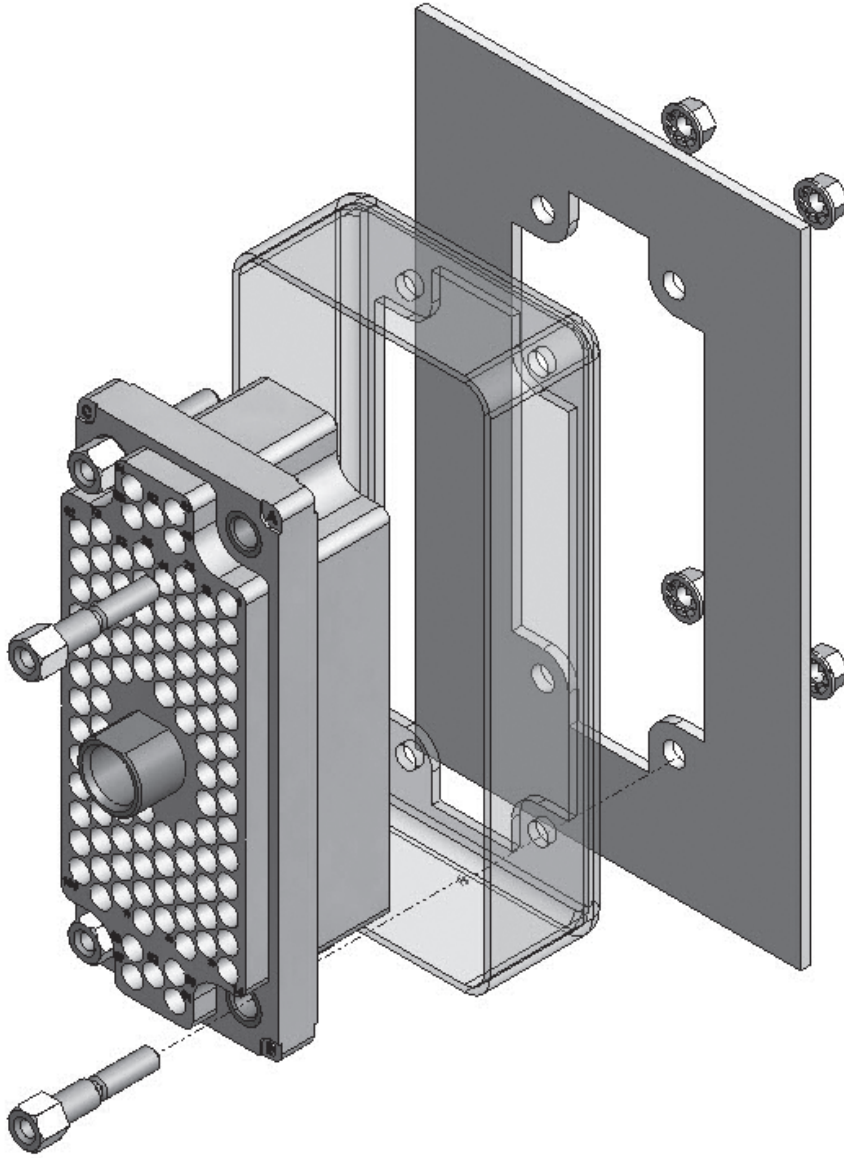
Central jackscrew



MMC SERIES

Block 104 Contacts

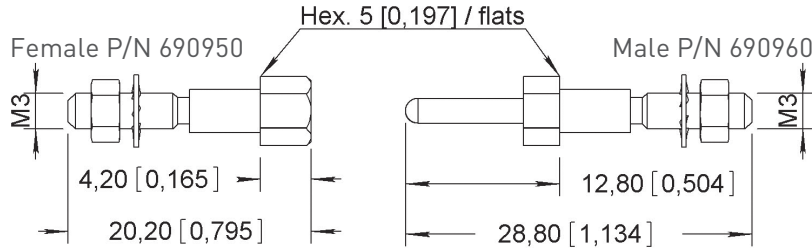
Detailed view of the connector with shroud mounted on a panel



View once all assembled.

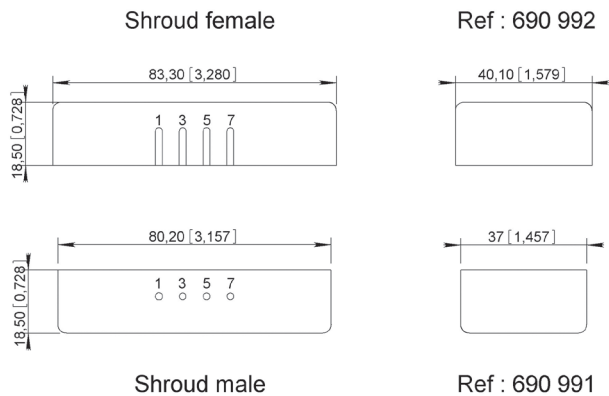
Block 104 Contacts

GUIDES to mount in positions A, B, C, D



SHROUDS

Female shroud - use only this reference to order without polarizing code.



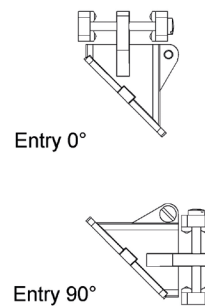
Polarization Code	Position
110	1
120	3
130	5
140	7
210	1 + 3
220	3 + 5
230	5 + 7
240	1 + 5
250	3 + 7
260	1 + 7

Male shroud - use only this reference to order without polarizing code.

To order with polarizing: add the polarization code at the end of the shroud part number
see Example: 690991110

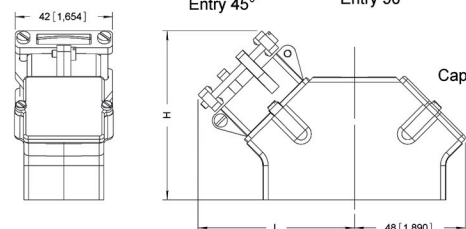
BACKSHELL - cast aluminium painted black
Assembly Kit

Entry	Cable clamp max. cm_ (inch)	L	H	Part number
1 entry 45°	7.8 (3.1)	70 (27.6)	71 (28)	690971
2 entries 45°	15.6 (6.1)			690972
1 entry 0°	5.3 (2.1)	55 (21.7)	66 (26)	690973
2 entries 0°	10.6 (4.2)			690974
1 entry 90°	5.3 (2.1)	65 (25.6)	57 (22.4)	690973
2 entries 90°	10.6 (4.2)			690974



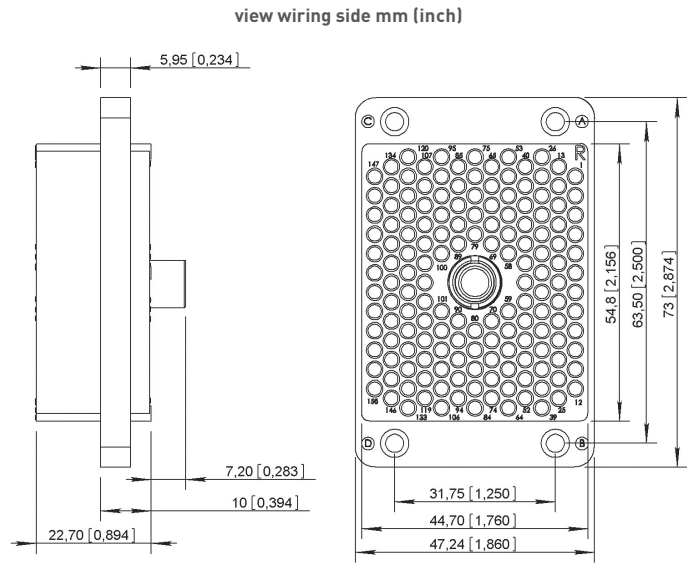
SPARE PARTS (1 or 2 entry rotation)

Description	Part number
Body (in 2 parts)	690977
Entry 0 - 90°	690980
Entry 45°	690979
Cap	690978

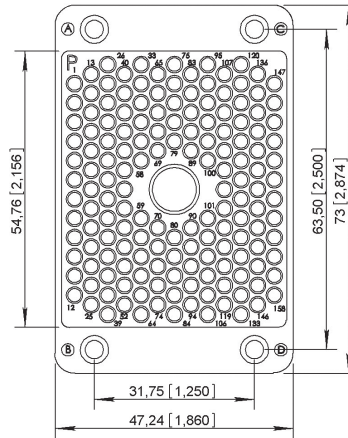


Block 158 Contacts

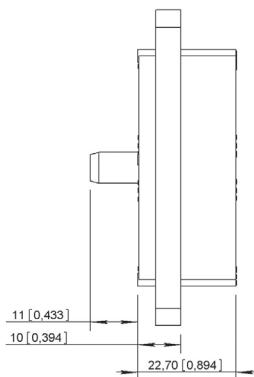
R TYPE		Guides supplied unmounted	
Central guide	Without guides	4 female	2 male / 2 female
Mates with all blocks P	690686	690670	690680



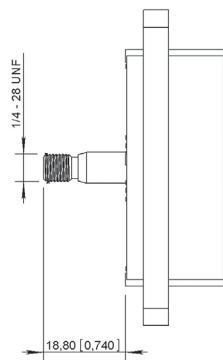
P TYPE		Guides supplied unmounted	
Central guide	Without guides	4 female	2 male / 2 female
Central rack guide	690681	690678	690683
Sunken Hex. 4 A/F	690671	690679	690684
Central jackscrew	690676	690677	690682



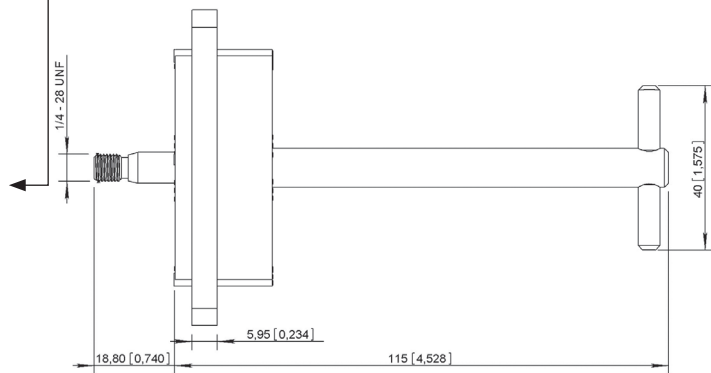
Rack guide



Sunken hex. nut



Central jackscrew

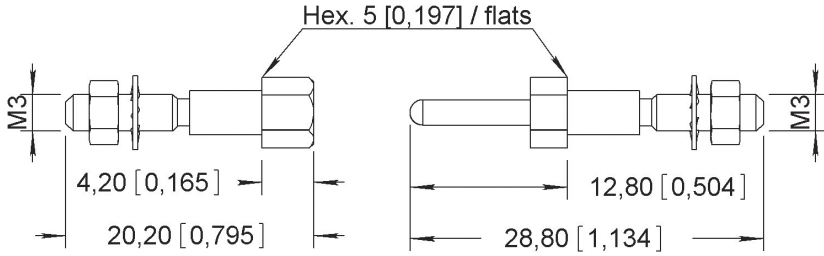


Block 158 Contacts

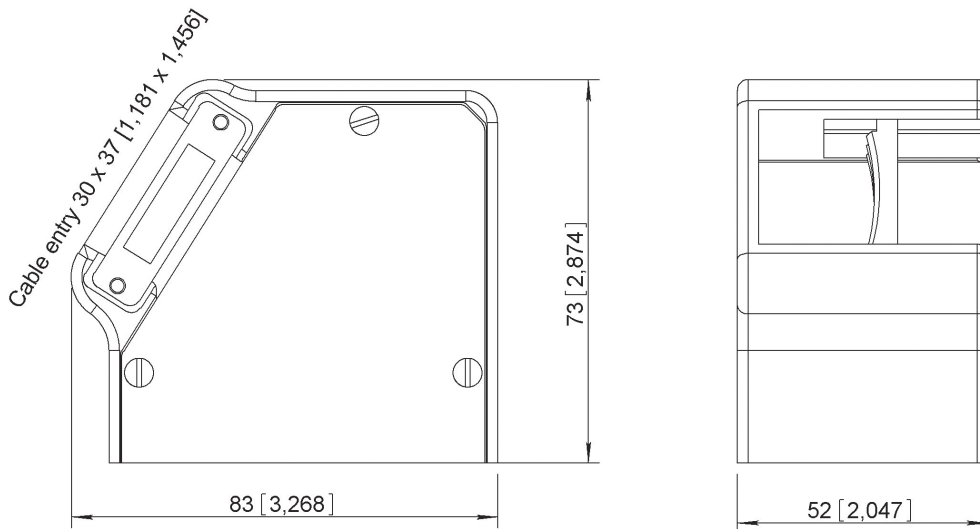
GUIDES TO MOUNT IN POSITIONS A, B, C, D - mm (inch)

Female P/N 690950

Male P/N 690960



BACKSHELL P/N 690985 - mm (inch)

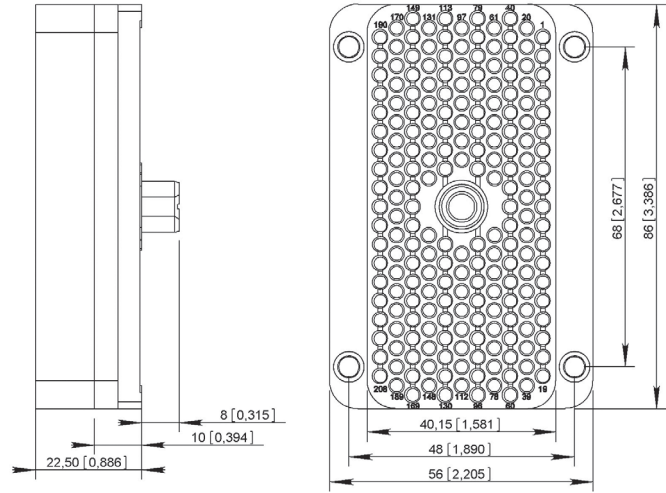


MMC SERIES

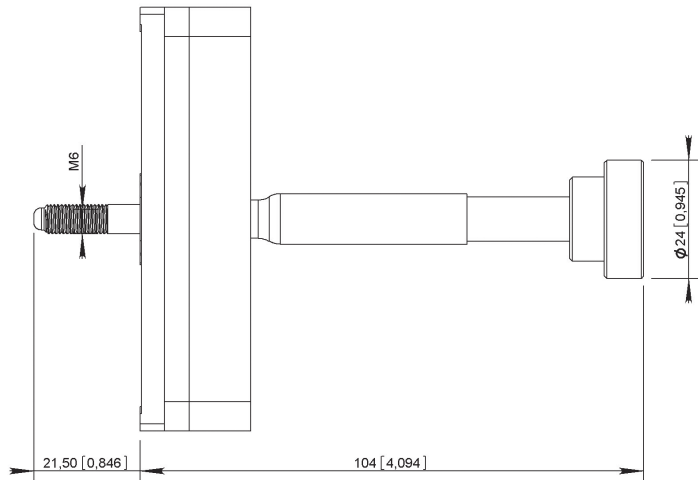
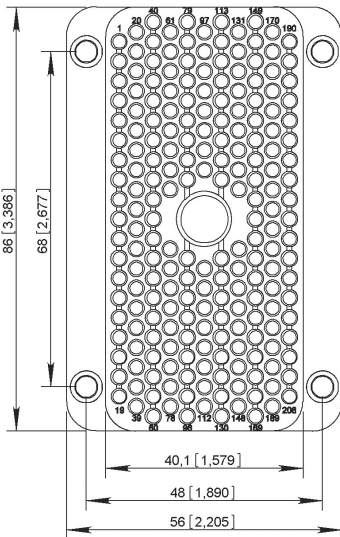
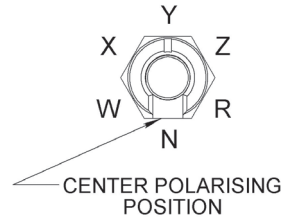
Block 208 Contacts

Polarizing positions	Guides supplied unmounted	
	4 female	2 male / 2 female
N	690768001	690778004
R	690768002	690778007
Z	690768003	690778002
Y	690768004	690778003
X	690768005	690778001
W	690768006	690778005

view wiring side mm (inch)



Polarizing positions	Guides supplied unmounted	
	4 female	2 male / 2 female
N	690769001	690767001
R	690769002	690767002
Z	690769003	690767003
Y	690769004	690767004
X	690769005	690767005
W	690769006	690767006

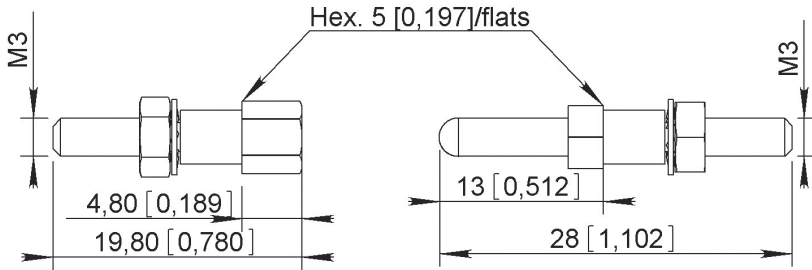


Block 208 Contacts

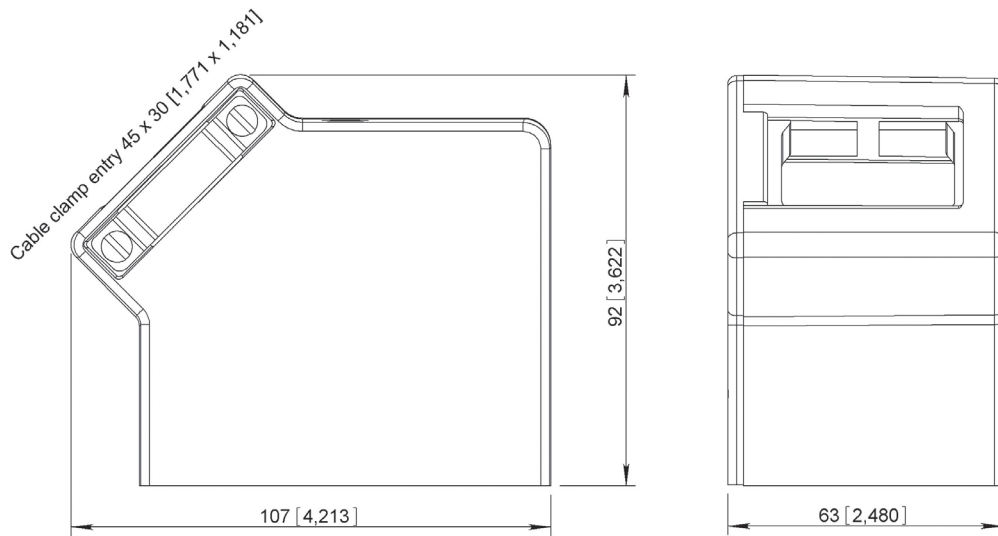
GUIDES TO MOUNT IN POSITIONS A, B, C, D - mm (inch)

Female P/N 690958

Male P/N 690968



BACKSHELL P/N 690982 - mm (inch)



MMC SERIES

Contacts

Pins and/or sockets for equipment wire, twisted pairs and coaxial cable can be housed in either plug or receptacle giving a multitude of connection possibilities.

Many contact arrangements available: 14 - 20 - 26 - 34 - 42 - 50 - 75 - 104 - 158 and 208 ways.

The signal contacts size 16 (pin Ø 1.58mm) are for crimping to AWG 16 to 28.

Contacts for wire wrapping are available with tails 0.6 x 0.6 mm (0.024x0.024 inch) or 1.2 x 1.2mm (0.047 x 0.047 inch) square. The coaxial contacts are for crimping to 2 mm and 2.6 mm coaxial cables and AWG 24 to 30 twisted pairs.

For all other contact terminations: consult us

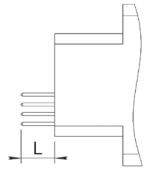
No tool is necessary for the insertion, the extraction is from the rear using an extraction tool introduced by the mating face of the connector.

Front Release and Front Removable Contacts

In order to facilitate the junction of MMC series connectors with a flexible or steady printed circuits, Radiall created a range of solder tail and wire wrap front release contacts.

This eases the replacement of a damaged contact without rewiring the set.

These size 16 contacts fit with all standard MMC connectors cavities from 14 to 208 which allow to mix them on a same connector with micro-coaxial contacts and crimping contacts.

Type	Contacts Arrangements		Contact ⁽¹⁾		Replacement contact ⁽²⁾	
			Pin	Socket	Pin	Socket
Mini-wrapping Ø0.6 (.024) flats 2 wraps		L=10.6 [.417]	690220	690320	690220001	690320001
Mini-wrapping Ø0.6 (.024) flats 3 wraps		L=16 [.630]	690221	690321	690221001	690321001
PC tail Ø 0.65mm (.026)		L=6.2 [.244]	690222	690322	690222001	690322001

NOTES:

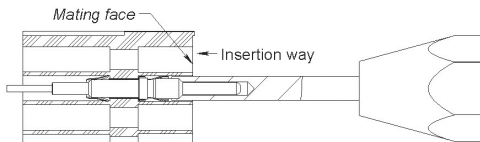
(1) Contact with retention clip and anti-rotation sleeve, must be used for the original or initial equipment of the connectors.

(2) Contact without retention clip and anti-rotation sleeve for the replacement of damaged contacts.

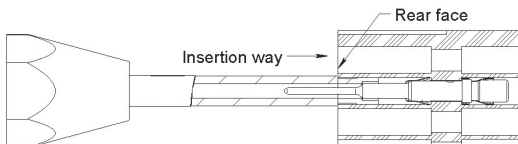
INSTALLATION AND EXTRACTION OF FR/FR CONTACTS.

Contact Installation

1) Insert the contact fitted with the retention clip through the mating face and push insertion tool 282501.

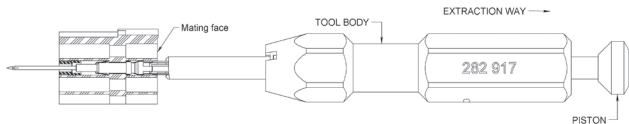


2) Introduce the sleeve by the rear face with tool 282502 and push it until it flushes with the insulator.



Contact Replacement

Extraction: insert the extraction tool 282917 by the mating face into the cavity of the contact to be replaced. Push it until it butts against the contact shoulder. Maintain the pressure on piston and pull on body tool to extract the contact. To free the contact release pressure on piston.



Installation of a new contact without retention clip: insert the contact through the mating face, push it with tool 282501 until contact snaps in place.

Equipment Signal Contacts

FRONT RELEASE / REAR RELEASE CRIMP CONTACTS

CABLES			Contacts		Positioner	Crimping tool	Position on crimp tool	Extraction tool
AWG size	Section in mm ² (sq.in)	Ø max. on sleeve mm (inch)	Pin	Socket				
16 18 20	1.34 (.053) 0.93 (.037) 0.60 (.024)	3.10 (.122)	690200	690300	282975	282291 M22520/1.01	6 5 4	282920
16 18 20	1.34 (.053) 0.93 (.037) 0.60 (.024)	3.10 (.122)	690201	690301			6 5 4	
20 22 24	0.60(.024) 0.38 (.015) 0.22 (.009)	2.20 (.086)	690215	690315	282976		4 3 2	282920
24 26 28	0.22 (.009) 0.14 (.006) 0.093 (.004)	1.60 (.063)	690235	690335			4 2 2	

WIRE WRAP CONTACTS

Type	Contacts Arrangements	Contacts		Tools	
		Pin	Socket	Insertion	Extraction
Mini-wrapping Ø 0.6 (.024) flats 2 wraps		690241	690341	282921	282920
Wrapping standard Ø 1.2 (.047) flats 3 wraps		690240	690340		

MMC SERIES

MMC SERIES

Twisted Pair Crimp Contacts

CABLES				TOOLS ⁽³⁾				CONTACTS & Wiring Instructions ⁽⁴⁾																																					
AWG size		Section in mm ² (sq.in)	Ø max. on insulator	Center contact		Outer contact		Socket ⁽¹⁾	Pin ⁽²⁾																																				
				Position on crimping tool ⁽⁵⁾	Positioner	Crimping tool	Positioner																																						
24	Stranded wire cable	0.22 (.009)	0.96 (.038)	2	282981 / M22520/2.04	282292 / M22520/4.01	282973 / M22520/4.02	690070 B	690170 B																																				
26	Stranded wire cable	0.14 (.006)	0.84 (.033)	2				282981 / M22520/2.04	282292 / M22520/4.01	282973 / M22520/4.02	690060 A	690160 A																																	
28		0.093 (.004)	0.73 (.029)	1									282981 / M22520/2.04	282292 / M22520/4.01	282973 / M22520/4.02	690060 A	690160 A																												
30		0.055 (.002)	0.66 (.026)	1														282981 / M22520/2.04	282292 / M22520/4.01	282973 / M22520/4.02	690060 A	690160 A																							
26	Single wire cable	0.12 (.005)	0.85 (.033)	3							282981 / M22520/2.04	282292 / M22520/4.01											282973 / M22520/4.02	690061 A	690161 A																				
28		0.08 (.003)	0.67 (.026)	2												282981 / M22520/2.04	282292 / M22520/4.01									282973 / M22520/4.02	690061 A	690161 A																	
30		0.05 (.002)	0.58 (.023)	1																	282981 / M22520/2.04	282292 / M22520/4.01							282973 / M22520/4.02	690061 A	690161 A														
26	Stranded wire cable	0.14 (.006)	0.84 (.033)	2																				282981 / M22520/2.04	282292 / M22520/4.01							282973 / M22520/4.02	690061 A	690161 A											
28		0.093 (.004)	0.73 (.029)	1																							282981 / M22520/2.04	282292 / M22520/4.01							282973 / M22520/4.02	690061 A	690161 A								
26	Single wire cable	0.12 (.005)	0.85 (.033)	3																										282981 / M22520/2.04	282292 / M22520/4.01		282973 / M22520/4.02	690062 A				690162 A							
28		0.08 (.003)	0.67 (.026)	2																																282981 / M22520/2.04	282292 / M22520/4.01		282973 / M22520/4.02	690062 A	690162 A				
30	Stranded wire cable	0.055 (.002)	0.66 (.026)	1																														282981 / M22520/2.04				282292 / M22520/4.01				282973 / M22520/4.02	690062 A	690162 A	
30	Single wire cable	0.05 (.002)	0.58 (.023)	1																																				282981 / M22520/2.04	282292 / M22520/4.01				282973 / M22520/4.02

NOTES:

- (1) Body female contact / center male contact
- (2) Body male contact / center female contact
- (3) Extraction tool for all twisted pair contacts P/N 282920
- (4) Wiring instructions on pages 7-31 to 7-34
- (5) Crimping tool for all 282281 / M22520/2.01

Coaxial Crimp Contacts

MMC SERIES

CABLES			TOOLS ⁽³⁾				CONTACTS & Wiring Instructions ⁽⁴⁾	
Cable reference	Impedance Ω	Outer diameter	Center contact		Outer contact		Socket ⁽¹⁾	Pin ⁽²⁾
			Crimp tool	Positioner	Crimp tool	Positioner		
RG178/U RG196/U KX21	50	2 (.079)	282281 M22520/2.01	282981 M22520/2.04	282292 M22520/4.01	282973 M22520/4.02	690020 C	690120 C
KX3A RG316/U KX22	50	2.54 (.100) $\pm 0.13 (.005)$					690040 D	690140 D
RG179/U	75							

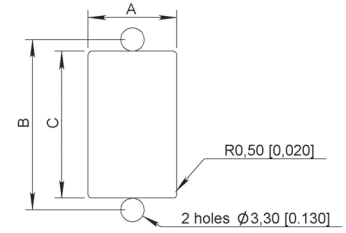


NOTES:

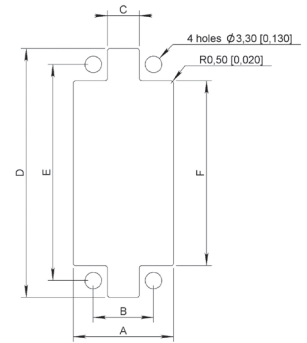
- (1) Body female contact / center male contact
- (2) Body male contact / center female contact
- (3) Extraction tool for all twisted pair contacts P/N 282920
- (4) Wiring instructions on pages 7-31 to 7-34

Panel Cut Out

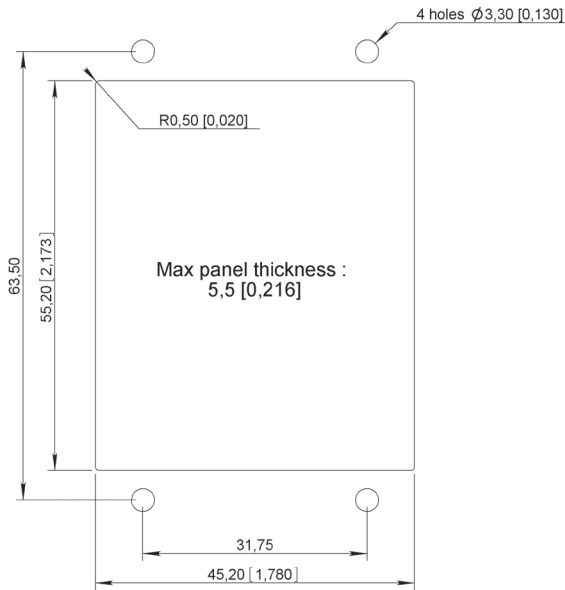
Number of contacts	A	B	C	Max. panel thickness
14	12.4 [.488]	23.8 [.937]	20.8 [.819]	6 [.236]
20	12.4 [.488]	31.7 [1.248]	28.7 [1.130]	
26	15.7 [.618]	33.3 [1.311]	29.2 [1.150]	



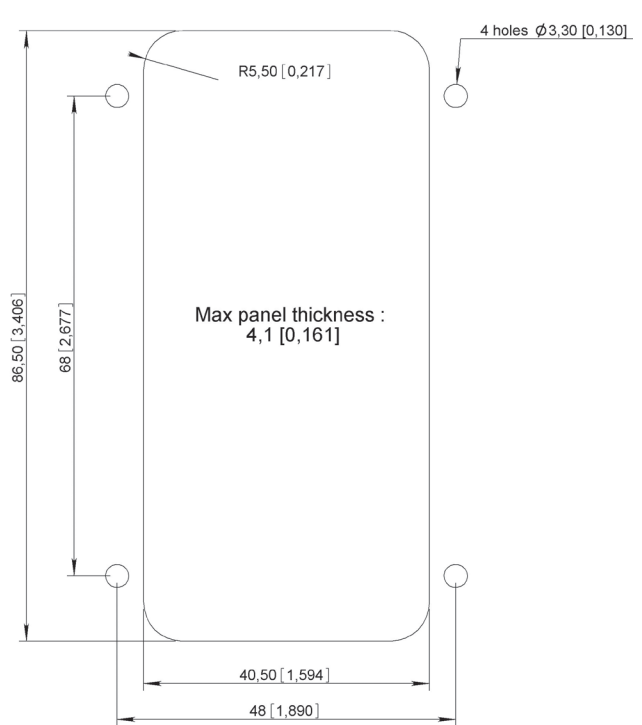
Number of contacts	A	B	C	D	E	F	Max. panel thickness
34	19.8 [.779]	11.9 [.468]	6.3 [.248]	49.3 [1.940]	42.8 [1.685]	36.6 [1.441]	6 [.236]
42				56.9 [2.240]	50.5 [1.988]	43.7 [1.720]	
50				64.3 [2.531]	57.9 [2.279]	51.6 [2.031]	
75	29 [1.141]	19.4 [.764]	14.2 [.559]	72.5 [2.854]	63.5 [2.500]	55.6 [2.189]	5.5 [.216]
104	29.3 [1.153]	20.6 [.811]	12.7 [.500]				



158 CONTACTS

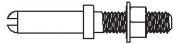
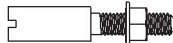
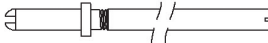
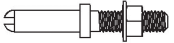
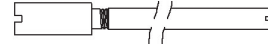
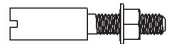
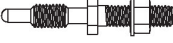


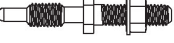
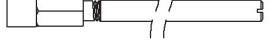
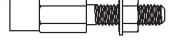


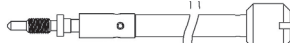


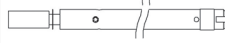


208 CONTACTS



Spare Parts

Jackscrew and rack guide selection table

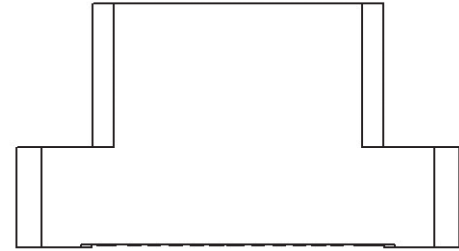
Cables			Number of contacts						
			14	20	26	34	42	50	75
Rack guides	Without backshell	Male					690962		
		Female					690952		
	With backshell	Male		690963				690963	
		Female		690963				690963	
Fixed guides	Without backshell	Male					690961		
		Female					690951		
	With backshell	Male		690964				690961	
		Female		690954				690951	
Rotating jackscrews	Without backshell	Male					690965		
		Female					690955		
	With or without backshell	Male	690966		690949		690967		
									
		690956		690939		690957		For 75 contacts 690967001 Side entry	
								For 75 contacts 690957001 Side entry	

MMC SERIES

Spare Parts

INSULATOR BLOCKS ONLY

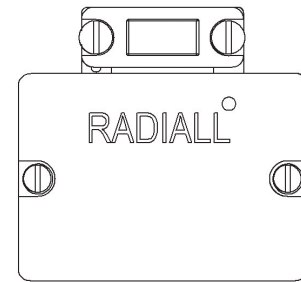
Number of contacts	Block	
	Type P	Type R
14	690401	690501
20	690411	690511
26	690421	690521
34	690431	690531
42	690441	690541
50	690451	690551
75	690461	690561



BACKSHELLS

When ordering backshells separately, do not forget to order the appropriate guides or jackscrews (refer to previous page for part numbers.)

Number of contacts	Backshell reference
14	690905
20	690908
26	690911
34	690914
42	690917
50	690920
75	Type P 690923
	Type R 690924



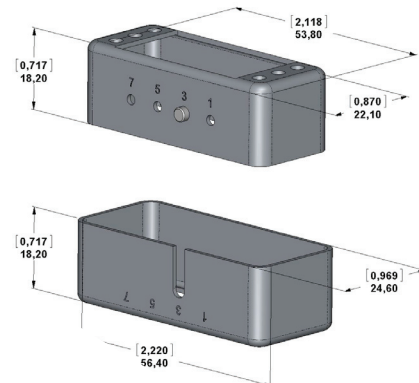
Polarization code	Position
110	1
120	3
130	5
140	7
210	1 + 3
220	3 + 5
230	5 + 7
240	1 + 5
250	3 + 7
260	1 + 7

SHROUDS

Male shroud is to be mounted on insulator block P and female shroud on insulator block R. Polarizing is to be positioned next to cavity 1 or A of the insulator block.

To order without polarization just use the six digits in the following table. To include polarization add the 3 digits suffix following the 6 digits part number. E.G: 690943120 (position 3).

Number of contacts	Shrouds	
	Male	Female
14	690940	690930
20	690941	690931
26	690942	690932
34	690943	690933
42	Not available	
50	690945	690935
75	690946	690936



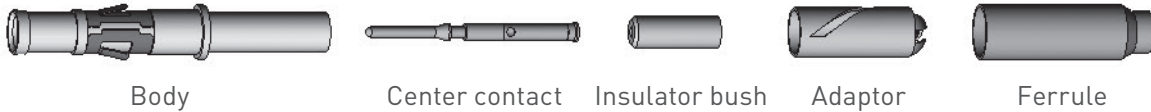
Wiring Instructions

TWISTED PAIR CONTACT

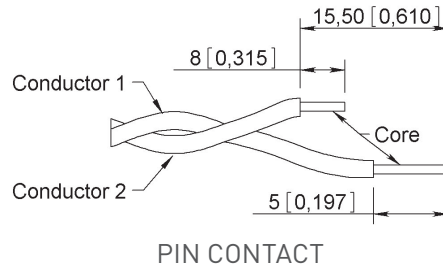
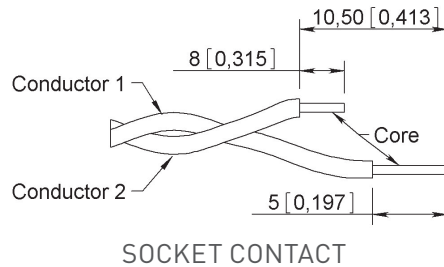
Wiring Instructions A

CONTACT REF: 690060 WIRE SIZES

690160	AWG 26
690061	AWG 28
690161	AWG 30
690062	
690162	

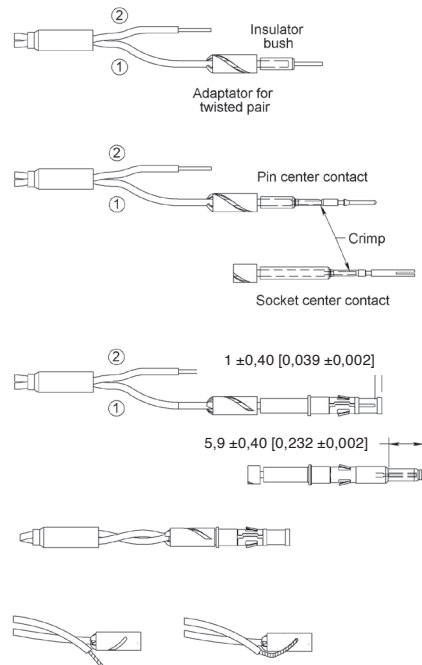


1 - Wire Stripping



2 - Wiring Instructions

- Slide the ferrule over the twisted pair cable
- Following the type of contact, strip the 2 conductors to the shown dimensions here above
- Slide adaptor over conductor ①
- Slide insulator bush over conductor ①
- Put the core of the cable ① into the center contact (pin or socket) until it butts against the insulator bush.
- Engage the assembly (cable + center contact) into the positioner of the crimping tool, and crimp center contact according to setting instructions page 7-26.
- Engage the center contact into the body, with reasonable force push home. Check the dimensional position, following type of centre contact (pin/socket).
- Slide the adaptor on to the body up to the shoulder.
- Place the core of conductor ② under the adaptor tab, and slide core into the helical slot.
- Slide the ferrule over the adapter up to the shoulder of the body.
- Engage the assembly into the positioner of the crimping tool, then crimp according to setting instructions, page 7-26.

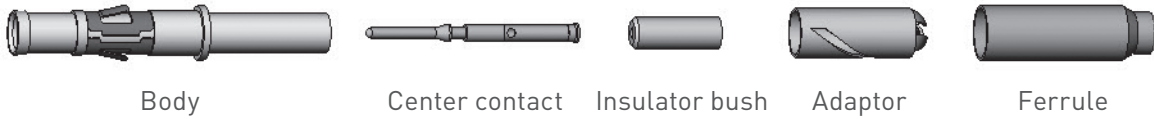


Wiring Instructions

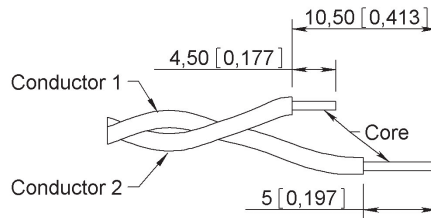
TWISTED PAIR CONTACT

Cabling Instructions B

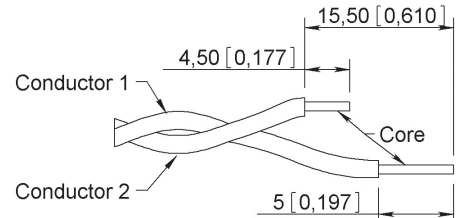
CONTACT REF: 690070 WIRE SIZE AWG 24
 690170



1 - Wire Stripping



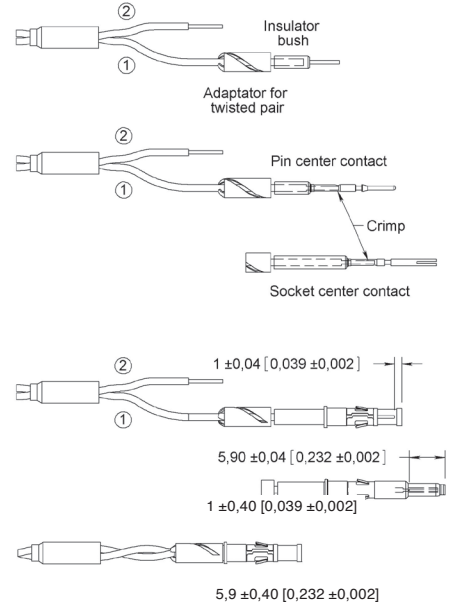
SOCKET CONTACT



PIN CONTACT

2 – Wiring Instructions

- Slide the ferrule over the twisted pair cable
- Following the type of contact, strip the 2 conductors to the shown dimensions here above
- Slide adaptor over conductor ①
- Slide insulator bush over conductor ①
- Put the core of the cable ① into the center contact (pin or socket) until it butts against the insulator bush.
- Engage the assembly (cable + center contact) into the positioner of the crimping tool, and crimp center contact according to setting instructions page 7-26.
- Engage the center contact into the body, with reasonable force push home. Check the dimensional position, following type of centre contact (pin/socket).
- Slide the adaptor on to the body up to the shoulder.
- Place the core of the conductor ② into the straight slot, on the outer face of the adaptor.
- Slide the ferrule over the adaptor up to the shoulder of the body.
- Engage the assembly into the positioner of the crimping tool, then crimp according to setting instructions, page 7-26.

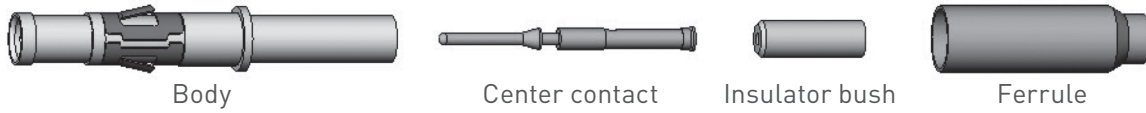


Wiring Instructions

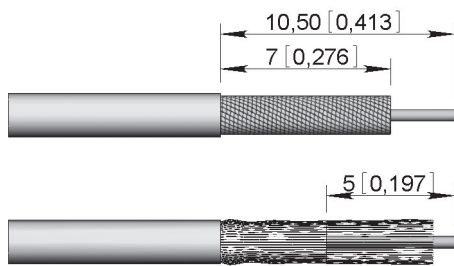
COAXIAL CONTACTS

Cabling Instructions C

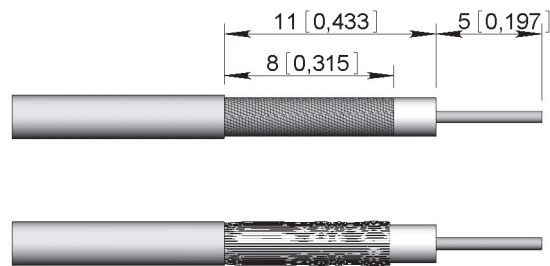
CONTACT REF: 690020
690120



1 - Wire Stripping



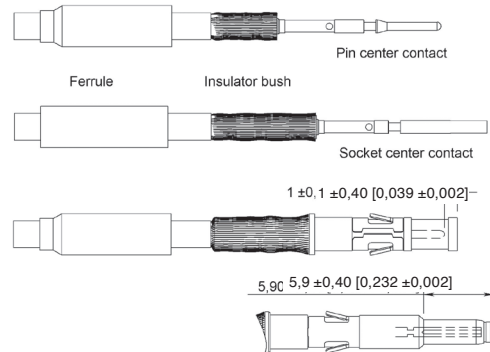
SOCKET CONTACT



PIN CONTACT

2 – Wiring Instructions

- Slide the ferrule over the coaxial cable.
- Following the type of contact, strip the 2 conductors to dimensions shown above.
- Comb the braid and slide on the insulator bush until it butts against the dielectric of the cable.
- Place the core of the cable into the center contact so as to butt against the dielectric.
- Engage the assembly into the positioner of the crimping tool and crimp according to instructions indicated on page 7-27.
- Engage the centre contact into the body and with reasonable force push home, check the dimensional position of the centre contact (pin or socket).
- Pull down the braid over the body and slide the ferrule on to the body up to the shoulder.
- Engage the assembly into the positioner of the crimping tool, then crimp according to instructions indicated on page 7-27.

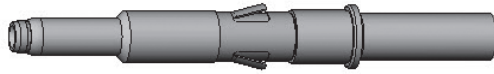


Wiring Instructions

COAXIAL CONTACTS

Cabling Instructions D

CONTACT REF: 690040
690140



Body

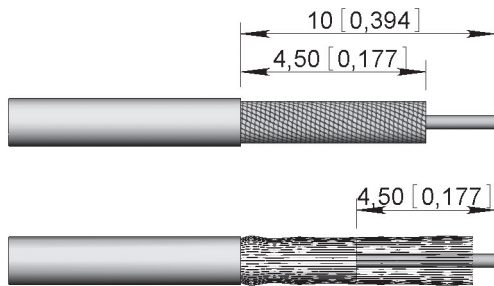


Center contact

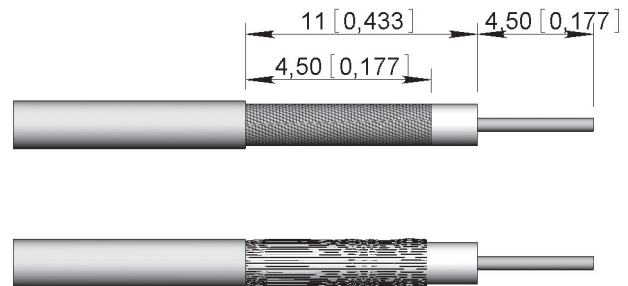


Ferrule

1 - Wire Stripping



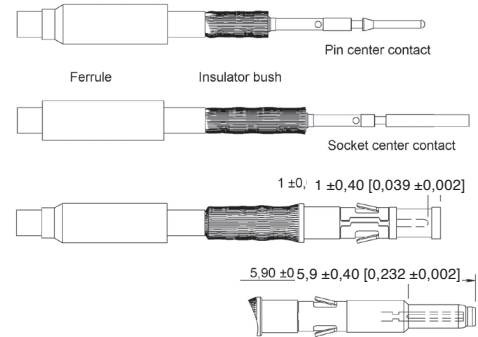
SOCKET CONTACT



PIN CONTACT

2 - Wiring Instructions

- Slide the ferrule over the coaxial cable.
- Following the type of contact, strip the 2 conductors to dimensions shown above.
- Place the core of the cable into the center contact so as to butt against the dielectric.
- Engage the assembly into the positioner of the crimping tool, then crimp according to instructions indicated on page 7-27.
- Engage the center contact into the body and with reasonable force push home, check the dimensional position of the center contact (pin or socket).
- Pull down the braid over the body and slide ferrule over braid up to the body shoulder.
- Engage the assembly into the positioner of the crimping tool, then crimp according to instructions given on page 7-27.



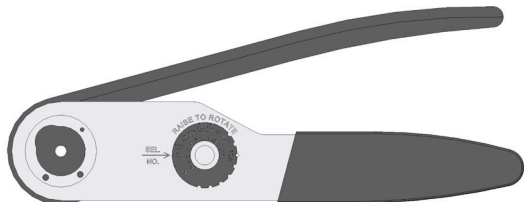
Tools

CRIMP TOOLS

282281 – M22520/2-01

282291 – M22520/1-01

282292 – M22520/4-01



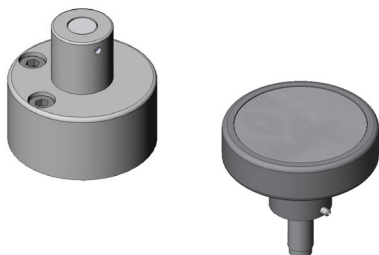
POSITIONERS

282973 – M22520/4-02

282976 – Daniels TP616

282975 – Daniles TP617

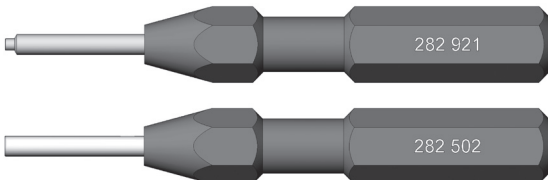
282981 – M22520/2-04



INSERTION TOOL

282502

282921 – wire wrap

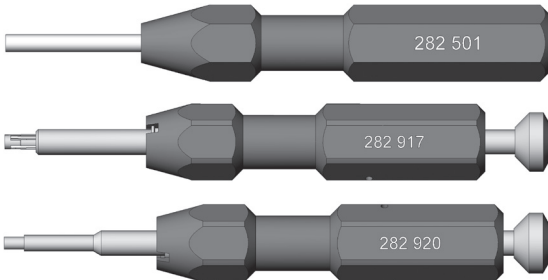


EXTRACTION TOOL

282501

282917

282920



MMC SERIES

MMC SERIES

Notes



Our most
important
connection
is with you.™

It's not just a slogan. It's a statement of our earnest desire to put you at the forefront of all our business practices. As part of Radiall's mission to be available and accessible, we make it a priority to have local offices around the globe ready and able to assist you – wherever you are, whenever you need us.

Europe

	ADDRESS	PHONE	FAX	EMAIL
FINLAND	Radiall Finland PO Box 202 - 90101 Oulu	+358 407522412		infofi@radiall.com
FRANCE	Radiall SA 101 Rue Philibert Hoffmann 93116 Rosny Sous Bois	+33 1 49 35 35 35	+33 1 49 35 35 14	infofr@radiall.com
GERMANY	Radiall GmbH Carl Zeiss Str. 10 Postfach 200143 D63307 Rödermark	+49 60 74 91 07 0	+49 60 74 91 07 70	infode@radiall.com
ITALY	Radiall Elettronica S.R.L Via della Resistenza 113 - 20090 Buccinasco Milano	+39 02 48 85 121	+39 02 48 84 30 18	infoit@radiall.com
NETHERLANDS	Radiall Nederland BV Hogebrinkerweg 15b - 3871 KM Hoevelaken	+31 33 253 40 09	+31 33 253 45 12	infofl@radiall.com
SWEDEN	Radiall AB Sjöängsvägen 2 - SE - 192 72 Sollentuna	+46 8 444 34 10	+46 8 754 49 16	infose@radiall.com
UNITED KINGDOM	Radiall Ltd Ground Floor 6 The Grand Union Office Park Packet Boat Lane UXBRIDGE Middlesex UB8 2GH United Kingdom	+44 (0)1895 425000	+44 (0)1895 425010	infouk@radiall.com

Asia

	ADDRESS	PHONE	FAX	EMAIL
CHINA	Shanghai Radiall Electronics CO, Ltd N° 390 Yong He Rd SHANGHAI 200072 P.R.C	+86 21 66523788	+86 21 66521177	infozh@radiall.com
HONG KONG	Radiall Electronics (Asia) Ltd Flat D, 6/F, Ford Glory Plaza, 37-39 Wing Hong Street - Cheung Sha Wan - Kowloon - Hong Kong	+852 29593833	+852 29592636	infohk@radiall.com
INDIA	Radiall India Pvt. Ltd 25.D.II phase Peenya Industrial Area. Bangalore-560058	+91 80 23720989	+91 80 28397228	infoin@radiall.com
JAPAN	Nihon Radiall Shibuya-Ku Ebisu 1-5-2, Kougetsu Bldg 405 - Tokyo 150-0013	+81 3 34406241	+81 3 34406242	infojp@radiall.com

Americas

	ADDRESS	PHONE	FAX	EMAIL
USA & CANADA	Radiall USA, Inc. 8950 South 52nd Street Ste 401 Tempe, AZ 85284	+1 480-682-9400	+1 480-682-9403	infousa@radiall.com

Also Represented In...

AUSTRALIA AUSTRIA BELGIUM BRAZIL CZECH REPUBLIC DENMARK ESTONIA GREECE HUNGARY INDONESIA ISRAEL KOREA LATVIA LITHUANIA
MALAYSIA NORWAY PHILIPPINES POLAND PORTUGAL RUSSIA SINGAPORE SPAIN SWITZERLAND TAIWAN THAILAND VIETNAM SOUTH AFRICA