



ROJONE[®]
PTY. LTD.



***Military Circular Connectors
MIL-C-26482 Series***



MILITARY CIRCULAR CONNECTORS

MIL-C-26482 SERIES

Rev. 04 Date: 12/06/2013

Table of Contents

Introduction.....	3
Contact Us.....	3
MIL-C-26482 Series 1 – Solder	4
Part Number Construction	4
Wall Mount Receptacle.....	5
In-Line Receptacle.....	6
Box Mount Receptacle	7
Hermetic Seal Solder Mount Receptacle.....	7
Jam Nut Receptacle	8
Straight Plug	8
Through Bulkhead Receptacle	9
MIL-C-26482 Series 1 – Crimp, Front Release	10
Part Number Construction	10
Wall Mount Receptacle.....	11
In-Line Receptacle.....	11
Box Mount Receptacle	12
Jam Nut Receptacle	12
Straight Plug	13
Box Mount, Large Flange, Receptacle	13
Wall Mount, Large Flange, Receptacle	14

MIL-C-26482 Series 2 - Crimp, Rear Release	15
Part Number Construction	15
Hermetic Seal Box Mount Receptacle.....	16
Hermetic Seal Wide Flange Box Mount Receptacle.....	16
Hermetic Seal Solder Mount Receptacle.....	17
Hermetic Seal Jam Nut Receptacle.....	17
Wall Mount Receptacle.....	18
In-Line Receptacle.....	18
Wall Mount Wide Flange Receptacle	19
Hermetic Seal Solder Mount Receptacle.....	19
Jam Nut Receptacle	20
Straight RFI Grounded Plug	20
Straight Plug	21
Hermetic Seal Box Mount Receptacle.....	21
Hermetic Seal Jam Nut Receptacle.....	22
 MIL-C-26482 Series 1 & 2	 23
Insertion Configuration & Keyway Position.....	23
 MIL-C-26482 Series 1 & 2	 24
Pins, Sockets and Tooling	24
 Accessory Quick Reference Guide.....	 25
MIL-C-26482 Series 1 & 2 Backshells & Caps	25



Introduction

Rojone is a well-equipped, professional and progressive Australian owned & operated company. Established in 1981, today we occupy our own 2100-plus square metre office, store and production facility at Ingleburn, south of Sydney.

Our Production is equipped with dedicated test instruments, Vector Network & Spectrum Analysers (HP8720D, HP8753B, 8495E), a Thermoline Thermal Chamber for temperature cycling cables, auxiliary items such as precision 3 Schleuniger 207 and their latest CS5400 cable stripping machine, inspection microscopes, pin depth gauges, intermodulation equipment, and automated test software.

Our strength is in our commitment to service. We provide quality products through unique arrangements with leading component manufacturers and through the dedication of our manufacturing team and technical staff who take pride in a job well done.

Rojone Pty. Limited maintains a Quality System compliant to the ISO9001 Standard. Rojone is third party Accredited by the Military and a number of military subcontractors and major OEM customers.

Contact Us

Rojone Pty Ltd

44 Aero Road, Ingleburn, NSW, 2565
Sydney, Australia

Telephone: +61 (02) 9829 1555

Facsimile: +61 (02) 9605 8812

Email: sales@rojone.com.au

Website: www.rojone.com.au

Interstate: Warren Boucaut – Western Australia

Email: warren@rojone.com.au

Tel: +61 (08) 9592 9606

Mob: 0407 426 233

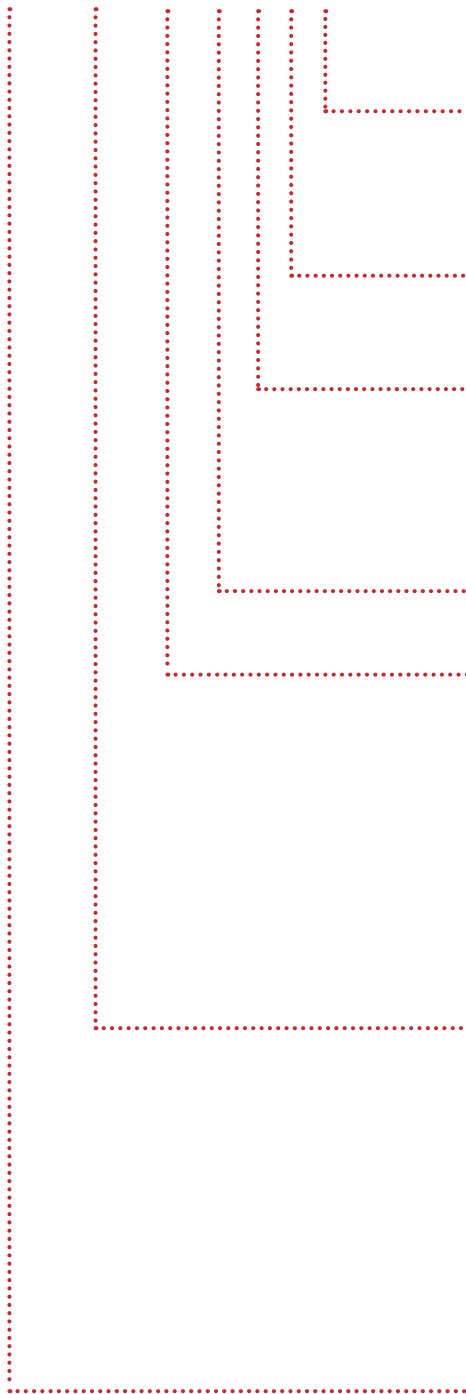
Fax: +61 (08) 9592 6160



MIL-C-26482 Series 1 – Solder

Part Number Construction

MS 3116 F 10 * 6 P W



Alternative Orientation	
Blank	Normal
X	W, X, Y, or Z – see page xx for details

Contact Type	
C	Feed Through Contacts for MS3119
P	Pin Solder Bucket Contacts
S	Socket Solder Bucket Contacts

Insert Configuration	
xx	See Page xx for Contact Sizes and Arrangement Codes.

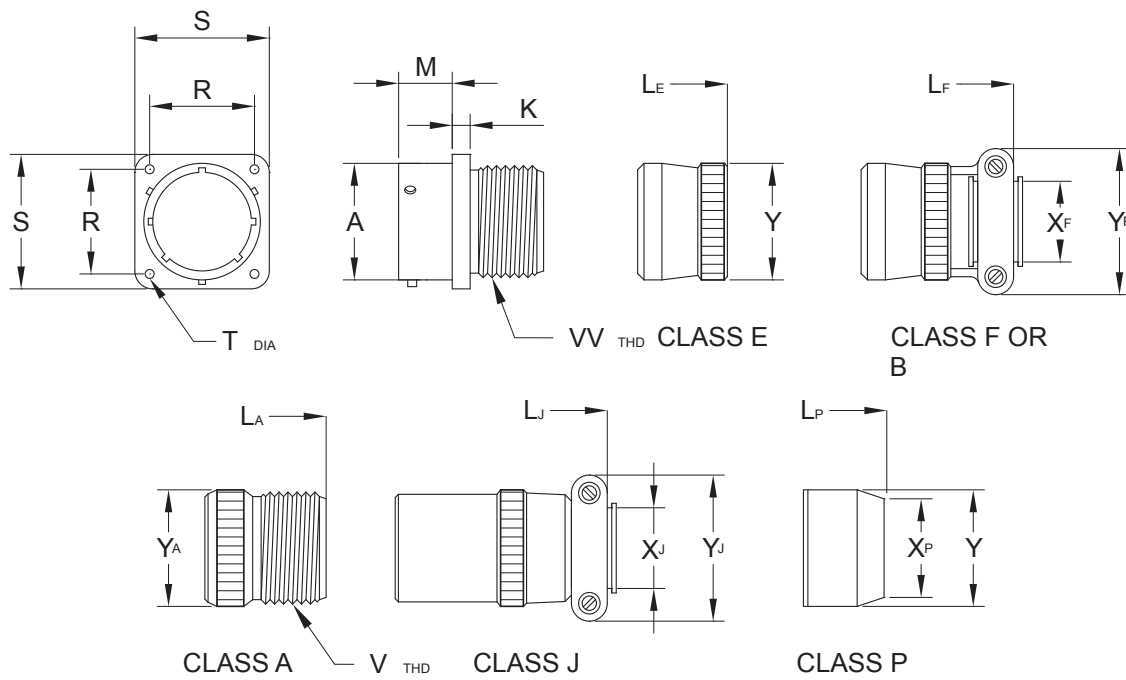
Hermetic Receptacles Shell & Termination Style	
A	Solder Cup, Stainless Steel Shell
B	Eyelet, Stainless Steel Shell
C	Solder Cup, Ferrous Alloy Shell
Y	Eyelet, Ferrous Alloy Shell

Shell Size	
xx	See page xx for selection

Class	
A*	General Duty, Threaded Backshell
B*	General Duty with Strain Relief Clamp Shell
E	Grommet Seal
F	Grommet Seal with Strain Relief Clamp Shell
H	Hermetic
J	Cable Seal with Clamp
P	Potting Seal
<i>* Not for new designs, considered obsolete</i>	

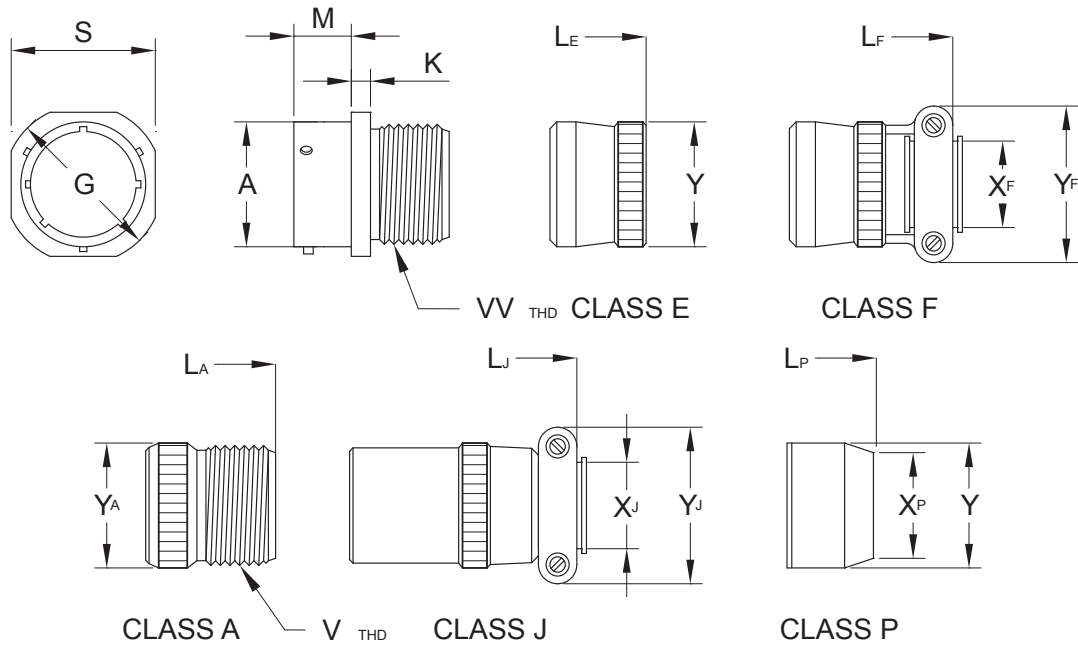
Shell Style	
3110*	Wall Mount Receptacle
3111*	In-Line Receptacle
3112*	Box Mount Receptacle
3113*	Hermetic Solder Mount Receptacle
3114*	Jam Nut Receptacle
3116*	Straight Plug
3119*	Through Bulkhead Receptacle
<i>* MIL-STD</i>	

MS	Military Prefix
----	-----------------



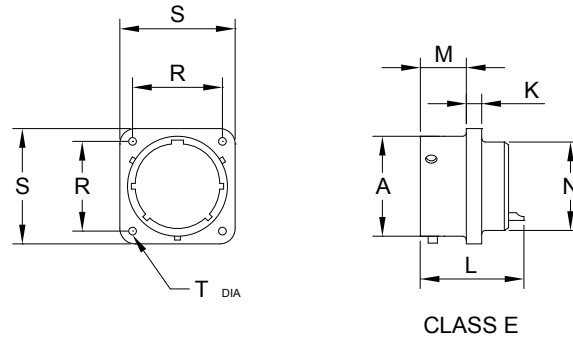
SHELL SIZE	XF	XP	XJ		K	Y, YP	Y, YF	YA	LE	LF	LP	LJ
	MIN. DIA.	MIN. DIA.	MIN. CLOSED I.D.	MAX. FREE I.D.	±0.016	MAX.	MAX.	MAX.	MAX.	MAX.	MAX.	MAX.
8	0.234	0.317	0.168	0.230	0.062	0.608	0.828	0.590	1.281	1.922	1.453	3.271
10	0.297	0.434	0.205	0.312	0.062	0.734	0.891	0.717	1.281	1.922	1.453	3.271
12	0.422	0.548	0.338	0.442	0.062	0.858	1.016	0.834	1.281	1.922	1.453	2.411
14	0.547	0.673	0.416	0.539	0.062	0.984	1.141	0.970	1.281	1.922	1.453	2.599
16	0.609	0.798	0.550	0.616	0.062	1.110	1.203	1.088	1.281	2.047	1.453	2.943
18	0.734	0.899	0.600	0.672	0.062	1.234	1.469	1.216	1.281	2.078	1.453	3.172
20	0.734	1.024	0.635	0.747	0.094	1.360	1.469	1.332	1.531	2.344	1.672	3.610
22	0.922	1.149	0.670	0.846	0.094	1.484	1.656	1.460	1.531	2.344	1.672	3.766
24	0.984	1.274	0.740	0.894	0.094	1.610	1.750	1.585	1.594	2.406	1.734	3.985

LA	M	A	R	S	T	V	V V
MAX.	+0.031 -0.000	±0.003	(TP)	MAX.	±0.005	THREAD CLASS 2A	THREAD CLASS 2A
1.554	0.431	0.471	0.594	0.828	0.120	1/2-28 UNEF	7/16-28 UNEF
1.554	0.431	0.588	0.719	0.954	0.120	5/8-24 UNEF	9/16-24 NEF
1.554	0.431	0.748	0.812	1.047	0.120	3/4-20 UNEF	11/16-24 NEF
1.554	0.431	0.873	0.906	1.141	0.120	7/8-20 UNEF	13/16-20 UNEF
1.554	0.431	0.998	0.969	1.234	0.120	1-20 UNEF	15/16-20 UNEF
1.554	0.431	1.123	1.062	1.328	0.120	1 3/16-18 UNEF	1 1/16-18 NEF
1.771	0.556	1.248	1.156	1.453	0.120	1 3/16-18 UNEF	1 3/16-18 NEF
1.771	0.556	1.373	1.250	1.578	0.120	1 7/16-18 UNEF	1 5/16-18 NEF
1.834	0.589	1.498	1.375	1.703	0.147	1 7/16-18 UNEF	1 7/16-18 NEF



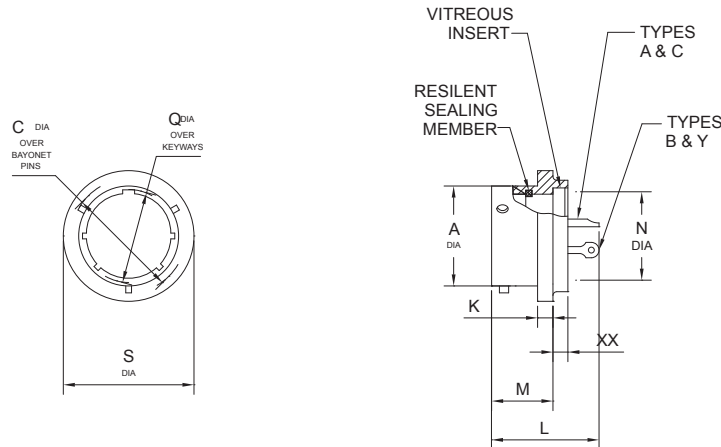
SHELL SIZE	YE,P MAX.	YF,J MAX.	YA MAX.	LE MAX.	LF MAX.	LP MAX.	LJ MAX.	LA MAX.	LJ,F MAX.
8	0.608	0.828	0.590	1.328	1.922	1.453	2.271	1.554	2.271
10	0.734	0.891	0.717	1.328	1.922	1.453	2.271	1.554	2.271
12	0.858	1.016	0.834	1.328	1.922	1.453	2.411	1.554	2.411
14	0.984	1.141	0.970	1.328	1.922	1.453	2.599	1.554	2.599
16	1.110	1.203	1.088	1.328	2.047	1.453	2.943	1.554	2.943
18	1.234	1.469	1.216	1.328	2.078	1.453	3.172	1.554	3.172
20	1.360	1.469	1.332	1.531	2.234	1.672	3.610	1.771	3.610
22	1.484	1.656	1.460	1.531	2.234	1.672	3.766	1.771	3.766
24	1.610	1.750	1.585	1.594	2.406	1.734	3.985	1.834	3.985

M	A	G	S	V	V V	XF	XP	XJ	K	
+031 -000	±003	±020	MAX.	THREAD CLASS 2A	THREAD CLASS 2A	MIN.	MIN.	MIN. CLOSED I.D.	MAX. FREE I.D.	+010 -016
0.400	0.471	0.938	0.828	1/2-28 UNEF	7/16-28 UNEF	0.234	0.317	0.168	0.230	0.094
0.400	0.588	1.062	0.954	5/8-24 UNEF	9/16-24 UNEF	0.297	0.434	0.205	0.312	0.094
0.400	0.748	1.156	1.047	3/4-20 UNEF	11/16-24 UNEF	0.422	0.548	0.338	0.442	0.094
0.400	0.873	1.250	1.141	7/8-20 UNEF	13/16-20 UNEF	0.547	0.673	0.416	0.539	0.094
0.400	0.998	1.344	1.234	1-20 UNEF	15/16-20 UNEF	0.609	0.798	0.550	0.616	0.094
0.400	1.123	1.438	1.328	1 3/16-18 UNEF	1 1/16-18 NEF	0.734	0.899	0.600	0.672	0.094
0.535	1.248	1.562	1.453	1 3/16-18 UNEF	1 3/16-18 NEF	0.734	1.024	0.635	0.747	0.115
0.535	1.373	1.688	1.578	1 7/16-18 UNEF	1 5/16-18 NEF	0.922	1.149	0.670	0.846	0.115
0.568	1.498	1.812	1.703	1 7/16-18 UNEF	1 7/16-18 NEF	0.984	1.274	0.740	0.894	0.115

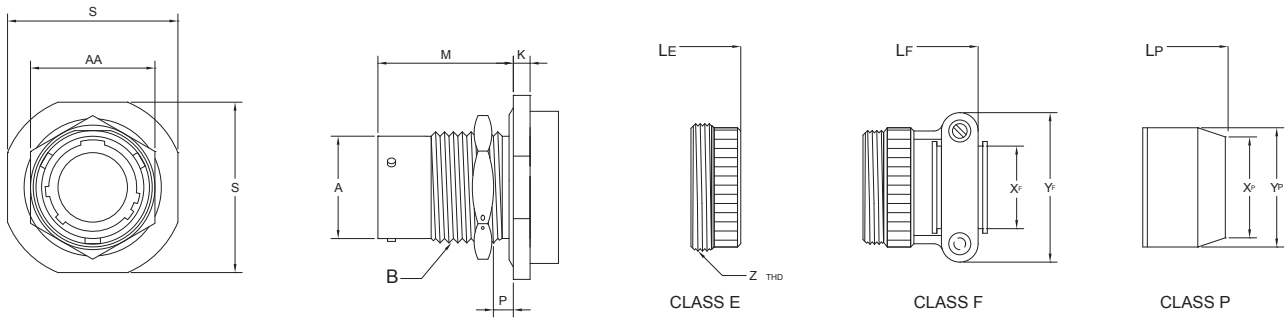


M	A	G	S	V	V V	XF	XP	XJ	K	
+0.031 -0.000	±0.003	±0.020	MAX.	THREAD CLASS 2A	THREAD CLASS 2A	MIN.	MIN.	MIN. CLOSED I.D.	MAX. FREE I.D.	+0.010 -0.016
0.400	0.471	0.938	0.828	1/2-28 UNEF	7/16-28 UNEF	0.234	0.317	0.168	0.230	0.094
0.400	0.588	1.062	0.954	5/8-24 UNEF	9/16-24 UNEF	0.297	0.434	0.205	0.312	0.094
0.400	0.748	1.156	1.047	3/4-20 UNEF	11/16-24 UNEF	0.422	0.548	0.338	0.442	0.094
0.400	0.873	1.250	1.141	7/8-20 UNEF	13/16-20 UNEF	0.547	0.673	0.416	0.539	0.094
0.400	0.998	1.344	1.234	1-20 UNEF	15/16-20 UNEF	0.609	0.798	0.550	0.616	0.094
0.400	1.123	1.438	1.328	1 3/16-18 UNEF	1 1/16-18 NEF	0.734	0.899	0.600	0.672	0.094
0.535	1.248	1.562	1.453	1 3/16-18 UNEF	1 3/16-18 NEF	0.734	1.024	0.635	0.747	0.115
0.535	1.373	1.688	1.578	1 7/16-18 UNEF	1 5/16-18 NEF	0.922	1.149	0.670	0.846	0.115
0.568	1.498	1.812	1.703	1 7/16-18 UNEF	1 7/16-18 NEF	0.984	1.274	0.740	0.894	0.115

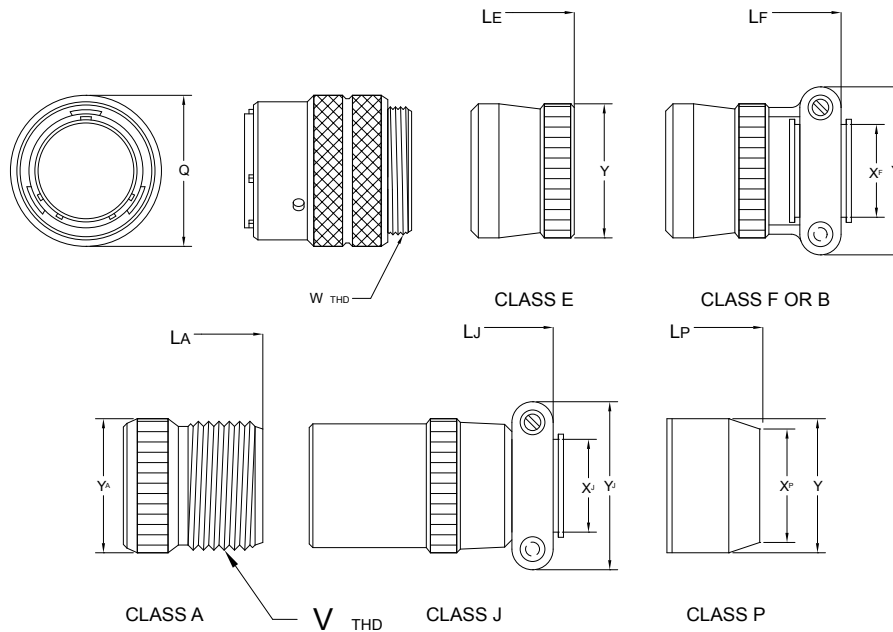
Hermetic Seal Solder Mount Receptacle



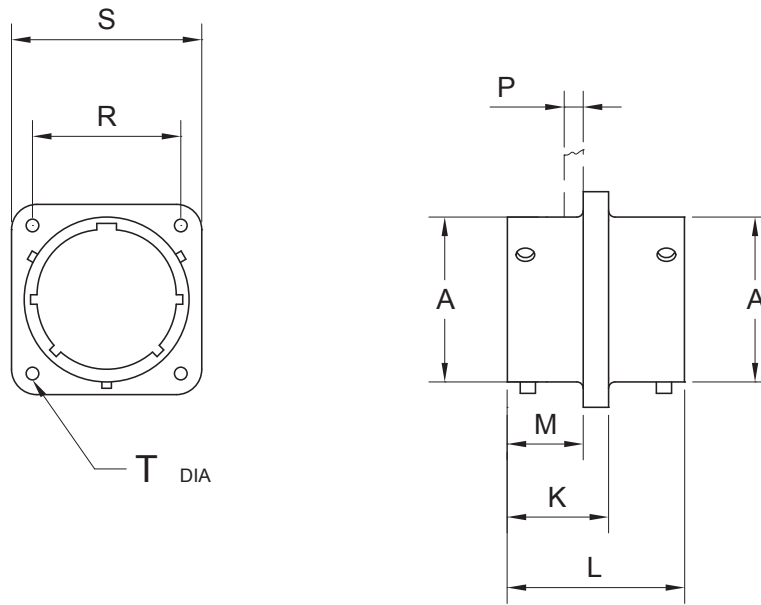
SHELL SIZE	A ±0.003	C	K	L	M	N	Q	S	XX	INSERT ARRANGEMENT (REF)
8	0.471	0.563	0.031	0.828	0.411	0.562	0.412	0.625	0.156	MS33708
10	0.588	0.680	0.031	0.828	0.411	0.672	0.540	0.750	0.156	MS33709
12	0.748	0.859	0.031	0.828	0.411	0.781	0.689	0.844	0.156	MS33710
14	0.873	0.984	0.031	0.828	0.411	0.906	0.814	0.969	0.156	MS33711
16	0.998	1.108	0.031	0.828	0.411	1.031	0.939	1.094	0.156	MS33712
18	1.123	1.233	0.031	0.828	0.411	1.156	1.039	1.218	0.156	MS33713
20	1.248	1.358	0.031	0.891	0.473	1.250	1.164	1.312	0.156	MS33714
22	1.373	1.483	0.031	0.921	0.473	1.375	1.289	1.438	0.188	MS33715
24	1.498	1.610	0.031	0.921	0.506	1.500	1.414	1.563	0.188	MS33716



SHELL SIZE	XF	P		XP	K	YF	YP	LE	LF	LP	M	A	AA	S	Z
	MIN.	MIN.	MAX.	MIN.	±.020	MAX.	MAX.	MAX.	MAX.	MAX.	±.010	±.003	MAX.	MAX.	THREAD
8	0.234	0.062	0.125	0.317	0.117	0.828	0.608	1.344	1.906	1.391	0.705	0.471	0.767	0.954	5/8-24 UNEF
10	0.297	0.062	0.125	0.434	0.117	0.891	0.734	1.344	1.906	1.391	0.705	0.588	0.892	1.078	3/4-20 UNEF
12	0.422	0.062	0.125	0.548	0.117	1.016	0.858	1.344	1.906	1.391	0.705	0.748	1.079	1.266	7/8-20 UNEF
14	0.547	0.062	0.125	0.673	0.117	1.141	0.984	1.344	1.906	1.391	0.705	0.873	1.205	1.391	1-20 UNEF
16	0.609	0.062	0.125	0.798	0.117	1.203	1.110	1.344	2.047	1.391	0.705	0.998	1.329	1.516	1 1/8-18 UNEF
18	0.734	0.062	0.125	0.899	0.117	1.469	1.234	1.344	2.078	1.391	0.705	1.123	1.455	1.641	1 1/4-18 UNEF
20	0.734	0.062	0.250	1.024	0.148	1.469	1.360	1.544	2.328	1.641	0.893	1.248	1.579	1.828	1 3/8-18 UNEF
22	0.922	0.062	0.250	1.149	0.148	1.656	1.484	1.544	2.328	1.641	0.893	1.373	1.705	1.954	1 1/2-18 UNEF
24	0.984	0.062	0.250	1.274	0.148	1.750	1.610	1.641	2.453	1.703	0.926	1.498	1.829	2.078	1 5/8-18 UNEF



SHELL SIZE	XF	XP	XJ		YE,P	YF,J	YA	LE	LF	LP	LJ	LA	LJ,F	Q	V	V V
	MIN. DIA.	MIN. DIA.	MIN. CLOSED I.D.	MAX. FREE I.D.	MAX.	MAX.	MAX.	MAX.	MAX.	MAX.	MAX.	MAX.	MAX.	MAX.	THREAD CLASS 2A	THREAD CLASS 2A
8	0.234	0.317	0.168	0.230	0.608	0.828	0.590	1.328	1.906	1.500	2.271	1.609	2.271	0.782	1/2-28 UNEF	7/16-28 UNEF
10	0.297	0.434	0.205	0.312	0.734	0.891	0.717	1.328	1.906	1.500	2.271	1.609	2.271	0.926	5/8-24 UNEF	9/16-24 NEF
12	0.422	0.548	0.338	0.442	0.858	1.016	0.834	1.328	1.906	1.500	2.411	1.609	2.411	1.043	3/4-20 UNEF	11/16-24 NEF
14	0.547	0.673	0.416	0.539	0.984	1.141	0.970	1.328	1.906	1.500	2.599	1.609	2.599	1.183	7/8-20 UNEF	13/16-20 UNEF
16	0.609	0.798	0.550	0.616	1.110	1.203	1.088	1.328	2.047	1.500	2.943	1.609	2.943	1.305	1-20 UNEF	15/16-20 UNEF
18	0.734	0.899	0.600	0.672	1.234	1.469	1.216	1.328	2.178	1.500	3.172	1.609	3.172	1.391	1 3/16-18 UNEF	1 1/16-18 NEF
20	0.734	1.024	0.635	0.747	1.360	1.469	1.332	1.453	2.250	1.609	3.610	1.656	3.610	1.531	1 3/16-18 UNEF	1 3/16-18 NEF
22	0.922	1.149	0.670	0.846	1.484	1.656	1.460	1.453	2.250	1.609	3.766	1.656	3.766	1.656	1 7/16-18 UNEF	1 5/16-18 NEF
24	0.984	1.274	0.740	0.894	1.610	1.750	1.585	1.510	2.312	1.687	3.985	1.750	3.985	1.777	1 7/16-18 UNEF	1 7/16-18 NEF



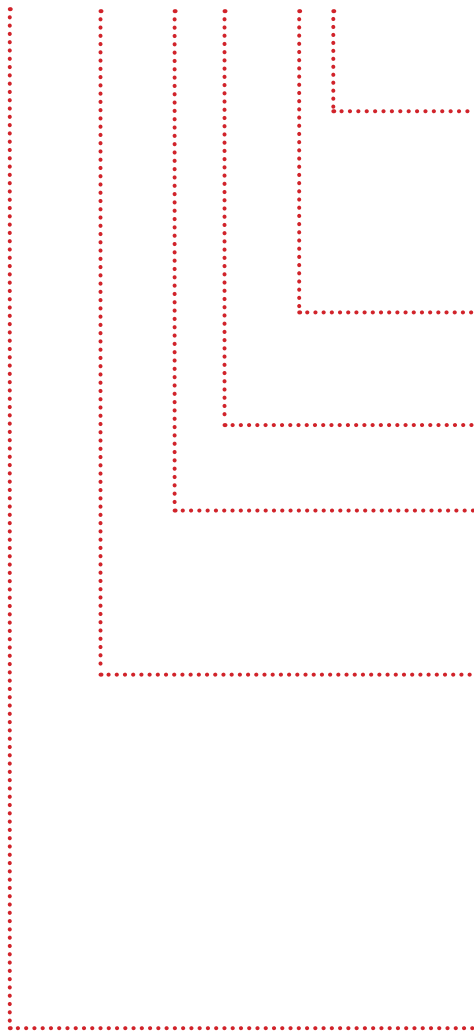
SHELL SIZE	A	K	L	M	P	R	S	T
	± 0.003	$+0.016$ -0.000	$+0.006$ -0.005	$+0.010$ -0.000	MAX.	(TP)	± 0.016	± 0.005
8	0.471	0.626	1.125	0.562	0.125	0.594	0.812	0.120
10	0.588	0.626	1.125	0.562	0.125	0.719	0.938	0.120
12	0.748	0.626	1.125	0.562	0.125	0.812	1.031	0.120
14	0.873	0.626	1.125	0.562	0.125	0.906	1.125	0.120
16	0.998	0.626	1.125	0.562	0.125	0.969	1.291	0.120
18	1.123	0.626	1.125	0.562	0.125	1.062	1.312	0.120
20	1.248	0.781	1.330	0.688	0.125	1.156	1.438	0.120
22	1.373	0.781	1.330	0.688	0.125	1.250	1.156	0.120
24	1.498	0.781	1.406	0.688	0.125	1.375	1.688	0.147



MIL-C-26482 Series 1 – Crimp, Front Release

Part Number Construction

MS 3126 F 10 - 6 P W



Alternative Orientation	
Blank	Normal
X	W, X, Y, or Z – see page xx for details

Contact Type	
A	Connector, Less Pin Contacts
B	Connector, Less Socket Contacts
P	Pin Contacts
S	Socket Contacts

Insert Configuration	
xx	See Page xx for Contact Sizes and Arrangement Codes.

Shell Size	
xx	See page xx for selection

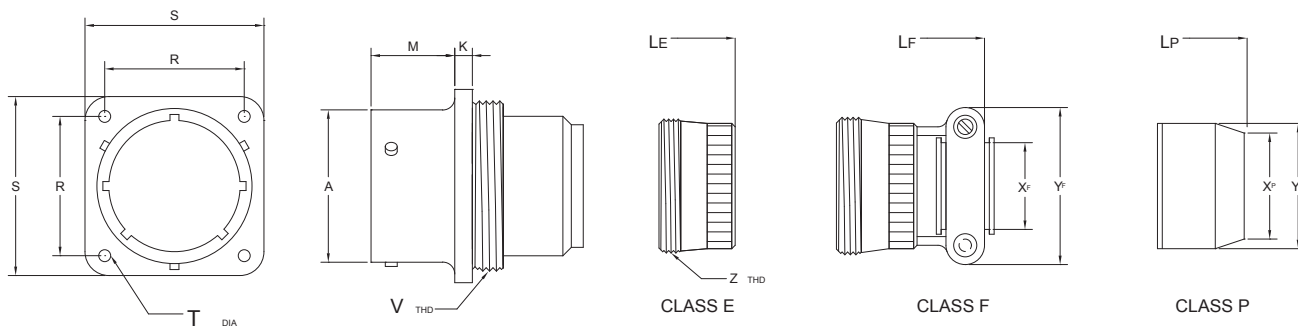
Class	
E	Grommet Seal
F	Grommet Seal with Strain Relief Clamp Shell
P	Potting Seal

Shell Style	
3120*	Wall Mount Receptacle
3121*	In-Line Receptacle
3122*	Box Mount Receptacle
3124*	Jam Nut Receptacle
3126*	Straight Plug
3127*	Box Mount, Large Flange Receptacle
3128*	Wall Mount, Large Flange Receptacle
	* MIL-STD

MS	Military Prefix
----	-----------------

Wall Mount Receptacle

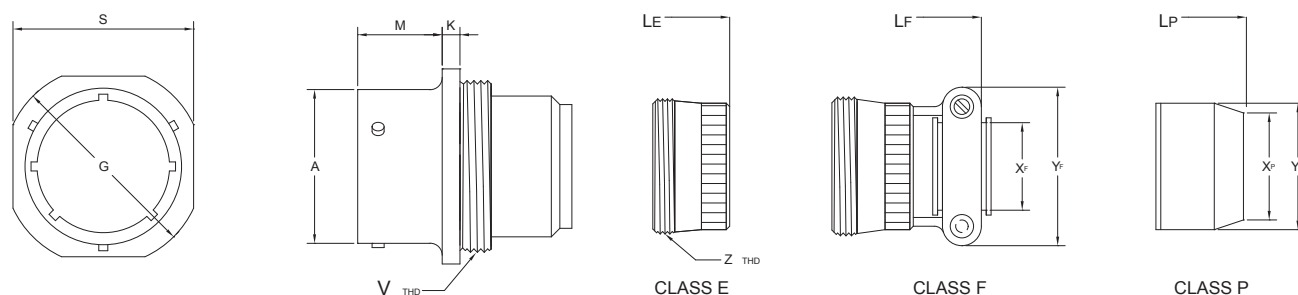
MS3120



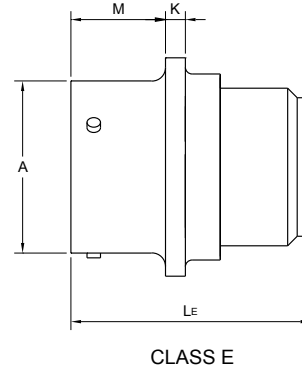
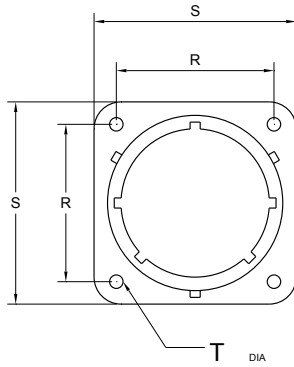
SHELL SIZE	A	K	LE	LF	LP	M	R	S	V	XF	XP	YE	YF
	±.003	±.010	MAX.	MAX.	MAX.	+031 -.000	(TP)	MAX.	THREAD CLASS 2A	MIN.	MIN.	MAX.	MAX.
8	0.471	0.062	1.552	2.422	1.675	0.431	0.594	0.828	7/16-28 UNEF	0.234	0.317	0.608	0.828
10	0.588	0.062	1.552	2.422	1.675	0.431	0.719	0.954	9/16-24 NEF	0.297	0.434	0.734	0.891
12	0.748	0.062	1.552	2.422	1.675	0.431	0.812	1.047	11/16-24 NEF	0.422	0.548	0.858	1.016
14	0.873	0.062	1.552	2.422	1.675	0.431	0.906	1.141	13/16-20 UNEF	0.547	0.673	0.984	1.141
16	0.998	0.062	1.552	2.537	1.675	0.431	0.969	1.234	15/16-20 UNEF	0.609	0.798	1.110	1.203
18	1.123	0.062	1.552	2.537	1.675	0.431	1.062	1.328	1 1/16-18 NEF	0.734	0.899	1.234	1.469
20	1.248	0.094	1.709	2.842	1.963	0.556	1.156	1.453	1 3/16-18 NEF	0.734	1.024	1.360	1.469
22	1.373	0.094	1.709	2.842	1.963	0.556	1.250	1.578	1 5/16-18 NEF	0.922	1.149	1.484	1.656
24	1.498	0.094	1.709	2.900	2.025	0.589	1.375	1.703	1 7/16-18 NEF	0.984	1.274	1.610	1.750

In-Line Receptacle

MS3121

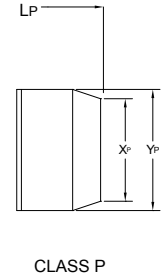
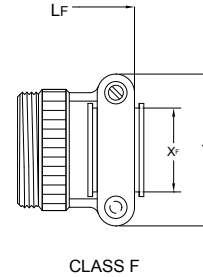
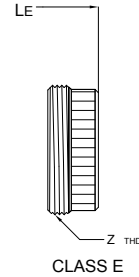
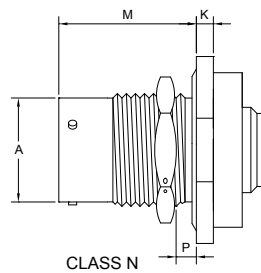
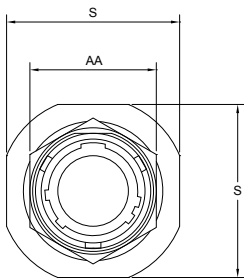


SHELL SIZE	A	K	LE	LF	LP	M	G	S	V	XF	XP	YE	YF	YP
	±.003	±.010	MAX.	MAX.	MAX.	+031 -.000	±.020	MAX.	THREAD CLASS 2A	MIN.	MIN.	MAX.	MAX.	MAX.
8	0.471	0.094	1.522	2.422	1.656	0.400	0.938	0.828	7/16-28 UNEF	0.234	0.317	0.608	0.828	0.608
10	0.588	0.094	1.522	2.422	1.656	0.400	1.062	0.954	9/16-24 NEF	0.297	0.434	0.734	0.891	0.734
12	0.748	0.094	1.522	2.422	1.656	0.400	1.156	1.047	11/16-24 NEF	0.422	0.548	0.858	1.016	0.858
14	0.873	0.094	1.522	2.422	1.656	0.400	1.250	1.141	13/16-20 UNEF	0.547	0.673	0.984	1.141	0.984
16	0.998	0.094	1.522	2.537	1.656	0.400	1.344	1.234	15/16-20 UNEF	0.609	0.798	1.110	1.203	1.110
18	1.123	0.094	1.522	2.537	1.656	0.400	1.438	1.328	1 1/16-18 NEF	0.734	0.899	1.234	1.469	1.234
20	1.248	0.115	1.709	2.842	1.750	0.535	1.562	1.453	1 3/16-18 NEF	0.734	1.024	1.360	1.469	1.360
22	1.373	0.115	1.709	2.842	1.750	0.535	1.688	1.578	1 5/16-18 NEF	0.922	1.149	1.484	1.656	1.484
24	1.498	0.115	1.709	2.900	1.782	0.568	1.812	1.703	1 7/16-18 NEF	0.984	1.274	1.610	1.750	1.610



SHELL SIZE	A	K	LE	M	R	S	T
	±.003	±.010	MAX.	+0.031 -0.000	(TP)	MAX.	±.005
8	0.471	0.062	1.320	0.431	0.594	0.828	0.120
10	0.588	0.062	1.320	0.431	0.719	0.954	0.120
12	0.748	0.062	1.320	0.431	0.812	1.047	0.120
14	0.873	0.062	1.320	0.431	0.906	1.141	0.120
16	0.998	0.062	1.320	0.431	0.969	1.234	0.120
18	1.123	0.062	1.320	0.431	1.062	1.328	0.120
20	1.248	0.094	1.367	0.556	1.156	1.453	0.120
22	1.373	0.094	1.367	0.556	1.250	1.578	0.120
24	1.498	0.094	1.418	0.589	1.375	1.703	0.147

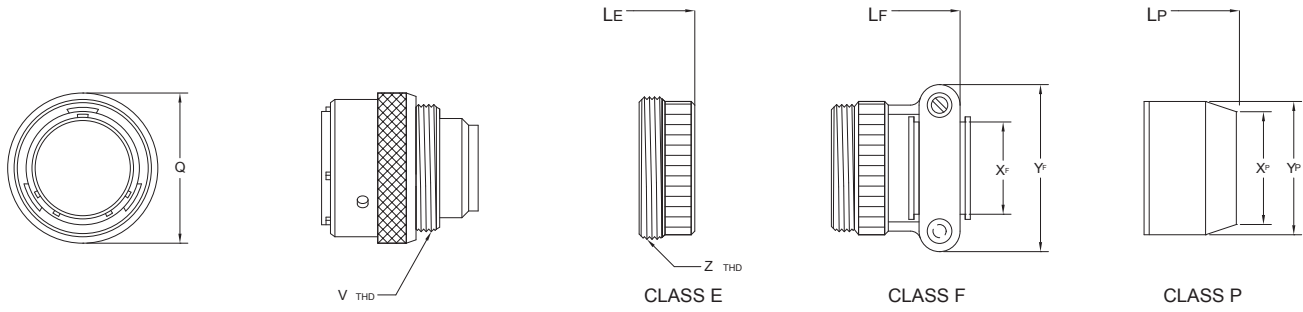
Jam Nut Receptacle



SHELL SIZE	A	K	LE	LF	LP	M	P	S	AA	V	XF	YE	YF	YP	XP
	±.003	±.020	MAX.	MAX.	MAX.	+0.031 -0.000	MIN.	MAX.	MAX.	THREAD CLASS 2A	MIN.	MAX.	MAX.	MAX.	MIN.
8	0.471	0.117	1.547	2.422	1.675	0.691	0.062	0.954	0.767	7/16-28 UNEF	0.234	0.750	0.828	0.608	0.317
10	0.588	0.117	1.547	2.422	1.675	0.691	0.062	1.078	0.892	9/16-24 NEF	0.297	0.875	0.891	0.734	0.434
12	0.748	0.117	1.547	2.422	1.675	0.691	0.062	1.266	1.079	11/16-24 NEF	0.422	1.000	1.016	0.858	0.548
14	0.873	0.117	1.547	2.422	1.675	0.691	0.062	1.391	1.205	13/16-20 UNEF	0.547	1.125	1.141	0.984	0.673
16	0.998	0.117	1.547	2.537	1.675	0.691	0.062	1.516	1.329	15/16-20 UNEF	0.609	1.250	1.203	1.110	0.798
18	1.123	0.117	1.547	2.537	1.675	0.691	0.062	1.641	1.455	1 1/16-18 NEF	0.734	1.375	1.469	1.234	0.899
20	1.248	0.148	1.709	2.842	1.963	0.879	0.062	1.828	1.579	1 3/16-18 NEF	0.734	1.531	1.469	1.360	1.024
22	1.373	0.148	1.709	2.842	1.963	0.879	0.062	1.954	1.705	1 5/16-18 NEF	0.922	1.656	1.656	1.484	1.149
24	1.498	0.148	1.709	2.900	2.025	0.912	0.062	2.078	1.829	1 7/16-18 NEF	0.984	1.781	1.750	1.610	1.274

Straight Plug

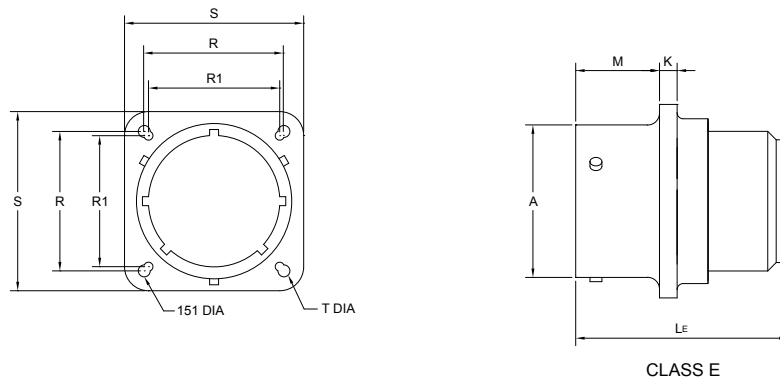
MS3126



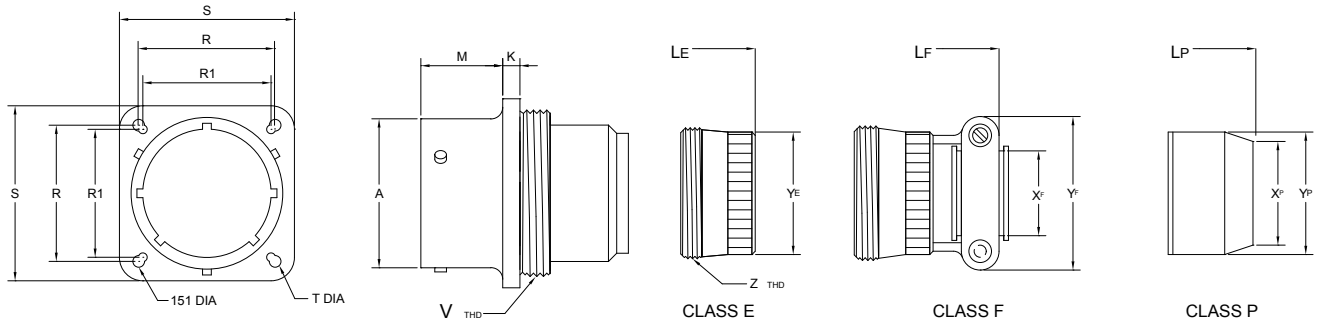
SHELL SIZE	LE	LF	LP	Q	V	XF	XP	YE	YF	YP
	MAX.	MAX.	MAX.	MAX.	THREAD CLASS 2A	MIN.	MIN.	MAX.	MAX.	MAX.
8	1.513	2.413	1.750	0.782	7/16-28 UNEF	0.234	0.317	0.608	0.828	0.608
10	1.513	2.413	1.750	0.926	9/16-24 NEF	0.297	0.434	0.734	0.891	0.734
12	1.513	2.413	1.750	1.043	11/16-24 NEF	0.422	0.548	0.858	1.016	0.858
14	1.513	2.413	1.750	1.183	13/16-20 UNEF	0.547	0.673	0.984	1.141	0.984
16	1.513	2.528	1.750	1.305	15/16-20 UNEF	0.609	0.798	1.110	1.203	1.110
18	1.513	2.528	1.750	1.391	1 1/16-18 NEF	0.734	0.899	1.234	1.469	1.234
20	1.638	2.753	1.892	1.531	1 3/16-18 NEF	0.734	1.024	1.360	1.469	1.360
22	1.638	2.753	1.892	1.656	1 5/16-18 NEF	0.922	1.149	1.484	1.656	1.484
24	1.638	2.830	1.953	1.777	1 7/16-18 NEF	0.984	1.274	1.610	1.750	1.610

Box Mount, Large Flange, Receptacle

MS3127



SHELL SIZE	A	K	LE	M	R	RI	S	T
	±.003	±.010	MAX.	+0.031 -.000	(TP)	(TP)	MAX.	±.005
8	-	-	-	-	-	-	-	-
10	0.588	0.062	1.320	0.462	0.812	0.719	1.141	0.120
12	0.748	0.062	1.320	0.462	0.938	0.812	1.266	0.120
14	0.873	0.062	1.320	0.462	1.031	0.906	1.360	0.120
16	0.998	0.062	1.320	0.462	1.125	0.969	1.453	0.120
18	1.123	0.062	1.320	0.462	1.203	1.062	1.532	0.120
20	1.248	0.094	1.367	0.556	1.297	1.156	1.688	0.120
22	1.373	0.094	1.367	0.556	1.375	1.250	1.766	0.120
24	1.498	0.094	1.418	0.589	1.580	1.375	1.891	0.147



SHELL SIZE	A	K	LE	LF	LP	M	R	R1	S	V	XF	XP	YE	YF	YP	T
	±.003	±.010	MAX.	MAX.	MAX.	+031 -000	(TP)	(TP)	MAX.	THREAD CLASS 2A	MIN.	MIN.	MAX.	MAX.	MAX.	±.005
8	-	-	-	-	-	-	-	-	-	-	-	-	-	-	-	-
10	0.590	0.062	1.552	2.422	1.675	0.462	0.719	0.812	1.141	9/16-24 NEF	0.359	0.434	0.734	0.891	0.734	0.120
12	0.750	0.062	1.552	2.422	1.675	0.462	0.812	0.938	1.266	11/16-24 NEF	0.469	0.548	0.858	1.016	0.858	0.120
14	0.875	0.062	1.552	2.422	1.675	0.462	0.906	1.031	1.360	13/16-20 UNEF	0.589	0.673	0.984	1.141	0.984	0.120
16	1.000	0.062	1.552	2.537	1.675	0.462	0.969	1.125	1.453	15/16-20 UNEF	0.717	0.798	1.110	1.203	1.110	0.120
18	1.125	0.062	1.552	2.537	1.675	0.462	1.062	1.203	1.532	1 1/16-18 NEF	0.779	0.899	1.234	1.469	1.234	0.120
20	1.250	0.094	1.709	2.842	1.963	0.556	1.156	1.297	1.688	1 3/16-18 NEF	0.901	1.024	1.360	1.469	1.360	0.120
22	1.375	0.094	1.709	2.842	1.963	0.556	1.250	1.375	1.766	1 5/16-18 NEF	1.009	1.149	1.484	1.656	1.484	0.120
24	1.500	0.094	1.709	2.900	2.025	0.589	1.375	1.500	1.891	1 7/16-18 NEF	1.123	1.274	1.610	1.750	1.610	0.147



MIL-C-26482 Series 2 - Crimp, Rear Release

Part Number Construction

MS 3476 W 10 * 6 P W

Alternative Orientation	
Blank	Normal
X	W, X, Y, or Z; See page xx for details

Contact Type	
A	Connector, less pin contacts
B	Connector, less socket contacts
P	Pin Contacts
S	Socket Contacts

Insert Configuration	
xx	Number of contacts & wire gauge. See Page 23.

Hermetic Receptacle Shell & Termination Style	
A	Solder Cup, Stainless Steel Shell
B	Eyelet, Stainless Steel Shell
C	Solder Cup, Ferrous Alloy Shell
Y	Eyelet, Ferrous Alloy Shell

Shell Size	
xx	See page xx for selection

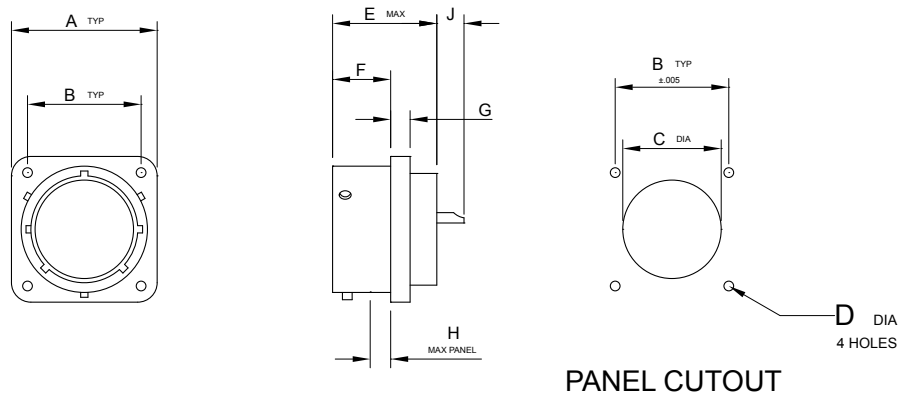
Class	
A	Grommet Seal, Nonconductive 200°C Finish
E	Grommet Seal, Conductive Finish, Use 'L' Class for New Designs
H	Hermetic Seal, Conductive 175°C Finish
L	Grommet Seal, Fluid Resistant, Conductive 200°C Finish
N	Hermetic Seal, Crimp Termination, Conductive 175°C Finish
S	Grommet Seal, Stainless Steel Conductive 200°C Finish
W	Grommet Seal, 500 Hour Salt Spray Conductive, 175°C Finish

Class	Shell Style
3440	H Box Mount Hermetic Receptacle
3442	H Box Mount, Wide Flange, Hermetic Receptacle
3443	H Solder Mount, Hermetic Receptacle
3449	H Jam Nut Hermetic Receptacle
3470	A, L, S, W Wall Mount Receptacle
3471	A, L, S, W In-Line Receptacle
3472	A, L, S, W Wall Mount, Wide Flange Receptacle
3473	N Solder Mount, Hermetic Receptacle
3474	A, L, S, W Jam Nut Receptacle
3475	L, S, W Straight RFI Grounding Plug
3476	A, L, S, W Straight Plug
3477	N Box Mount Hermetic Receptacle
3479	N Jam Nut Hermetic Receptacle

MS	Military Prefix
----	-----------------

Hermetic Seal Box Mount Receptacle

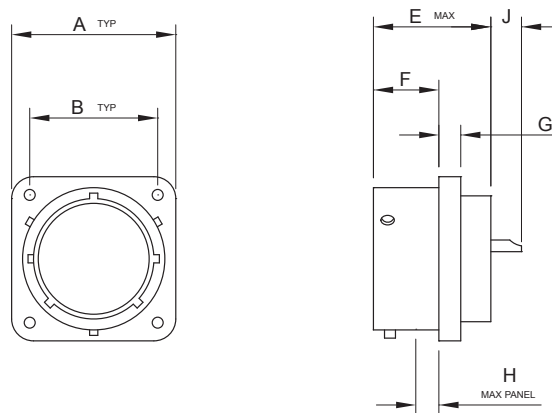
MS3440H



SHELL SIZE	A	B	C	D	E	F	G	H	J ±.030	
			±.005	±.010		±.010	±.016		Contact Size	
									20	16 & 12
8	0.828	0.594	0.568	0.120	0.801	0.588	0.062	0.087	0.148	0.218
10	0.954	0.719	0.685	0.120	0.801	0.588	0.062	0.087	0.148	0.218
12	1.047	0.812	0.864	0.120	0.801	0.588	0.062	0.087	0.148	0.218
14	1.141	0.906	0.989	0.120	0.801	0.588	0.062	0.087	0.148	0.218
16	1.234	0.969	1.113	0.120	0.801	0.588	0.062	0.087	0.148	0.218
18	1.328	1.062	1.238	0.120	0.801	0.588	0.062	0.087	0.148	0.218
20	1.453	1.156	1.363	0.120	0.863	0.650	0.094	0.212	0.148	0.218
22	1.578	1.250	1.488	0.120	0.895	0.650	0.094	0.212	0.116	0.186
24	1.703	1.375	1.615	0.147	0.895	0.650	0.094	0.212	0.116	0.186

Hermetic Seal Wide Flange Box Mount Receptacle

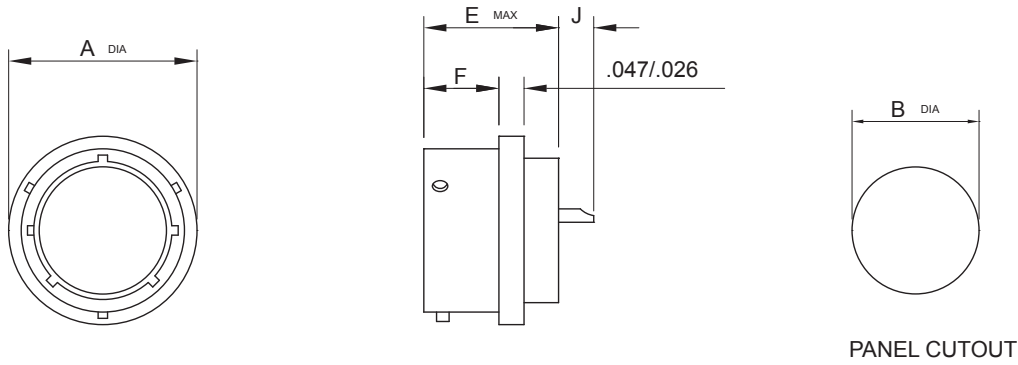
MS3442H



SHELL SIZE	A	B	C	D	E	F	G	H	J ±.030	
			±.005	±.010		±.010	±.016		Contact Size	
									20	16 & 12
8	1.065	0.734	0.568	0.150	0.801	0.588	0.062	0.118	0.148	0.218
10	1.141	0.812	0.685	0.150	0.801	0.588	0.062	0.118	0.148	0.218
12	1.266	0.938	0.864	0.150	0.801	0.588	0.062	0.118	0.148	0.218
14	1.360	1.031	0.989	0.150	0.801	0.588	0.062	0.118	0.148	0.218
16	1.453	1.125	1.113	0.150	0.801	0.588	0.062	0.118	0.148	0.218
18	1.532	1.203	1.238	0.150	0.801	0.588	0.062	0.118	0.148	0.218
20	1.688	1.297	1.363	0.150	0.863	0.650	0.094	0.212	0.148	0.218
22	1.766	1.375	1.488	0.150	0.895	0.650	0.094	0.212	0.116	0.186
24	1.891	1.500	1.615	0.150	0.895	0.650	0.094	0.212	0.116	0.186

Hermetic Seal Solder Mount Receptacle

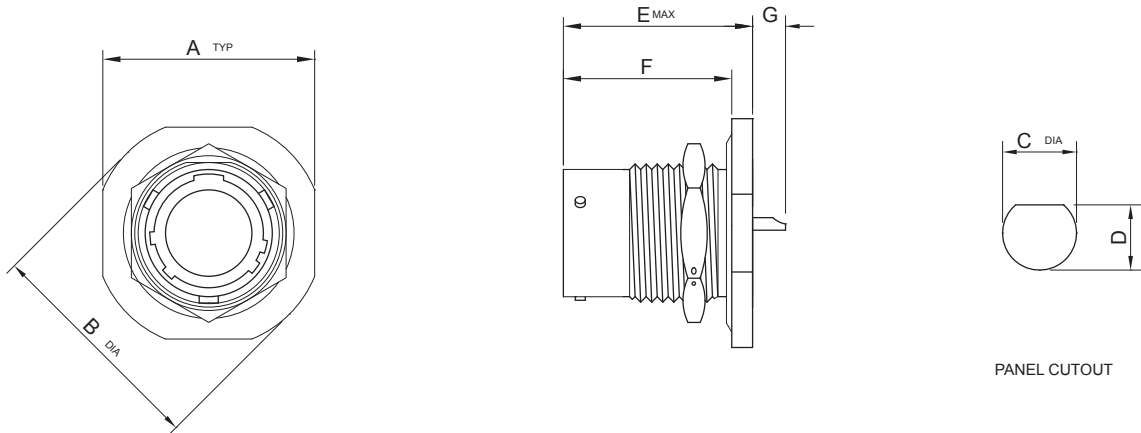
MS3443



SHELL SIZE	A	B	C	D	E	F	G	H	J ± .030	
			±.005	±.010		±.010	±.016		CONTACT SIZE	
									20	16 & 12
8	1.065	0.734	0.568	0.150	0.801	0.588	0.062	0.118	0.148	0.218
10	1.141	0.812	0.685	0.150	0.801	0.588	0.062	0.118	0.148	0.218
12	1.266	0.938	0.864	0.150	0.801	0.588	0.062	0.118	0.148	0.218
14	1.360	1.031	0.989	0.150	0.801	0.588	0.062	0.118	0.148	0.218
16	1.453	1.125	1.113	0.150	0.801	0.588	0.062	0.118	0.148	0.218
18	1.532	1.203	1.238	0.150	0.801	0.588	0.062	0.118	0.148	0.218
20	1.688	1.297	1.363	0.150	0.863	0.650	0.094	0.212	0.148	0.218
22	1.766	1.375	1.488	0.150	0.895	0.650	0.094	0.212	0.116	0.186
24	1.891	1.500	1.615	0.150	0.895	0.650	0.094	0.212	0.116	0.186

Hermetic Seal Jam Nut Receptacle

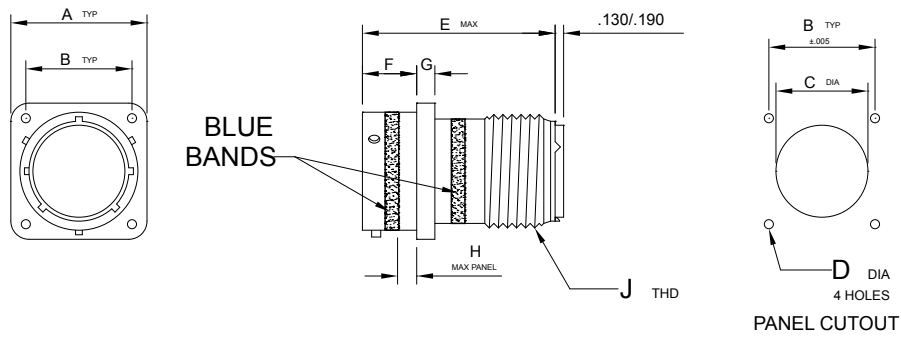
MS3449



SHELL SIZE	A	B	C	D	E	F	G	H	J ± .030	
			±.005	±.010		±.010	±.016		CONTACT SIZE	
									20	16 & 12
8.000	0.828	0.594	0.568	0.120	0.801	0.588	0.062	0.087	0.148	0.218
10.000	0.954	0.719	0.685	0.120	0.801	0.588	0.062	0.087	0.148	0.218
12.000	1.047	0.812	0.864	0.120	0.801	0.588	0.062	0.087	0.148	0.218
14.000	1.141	0.906	0.989	0.120	0.801	0.588	0.062	0.087	0.148	0.218
16.000	1.234	0.969	1.113	0.120	0.801	0.588	0.062	0.087	0.148	0.218
18.000	1.328	1.062	1.238	0.120	0.801	0.588	0.062	0.087	0.148	0.218
20.000	1.453	1.156	1.363	0.120	0.863	0.650	0.094	0.212	0.148	0.218
22.000	1.578	1.250	1.488	0.120	0.895	0.650	0.094	0.212	0.116	0.186
24.000	1.703	1.375	1.615	0.147	0.895	0.650	0.094	0.212	0.116	0.186

Wall Mount Receptacle

MS3470

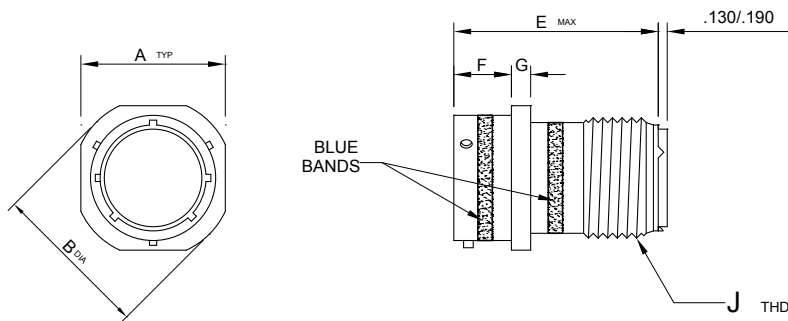


NOTE: BLUE BAND ON CONNECTOR DENOTES REAR RELEASE

SHELL SIZE	A	B	E	F	J	
	±.010			±.010	CONTACT SIZE	
					20	16 & 12
8	0.625	0.57	0.801	0.588	0.148	0.218
10	0.75	0.68	0.801	0.588	0.148	0.218
12	0.844	0.789	0.801	0.588	0.148	0.218
14	0.969	0.914	0.801	0.588	0.148	0.218
16	1.094	1.039	0.801	0.588	0.148	0.218
18	1.218	1.164	0.801	0.588	0.148	0.218
20	1.312	1.258	0.863	0.65	0.148	0.218
22	1.438	1.383	0.895	0.65	0.116	0.186
24	1.564	1.508	0.895	0.65	0.116	0.186

In-Line Receptacle

MS3471

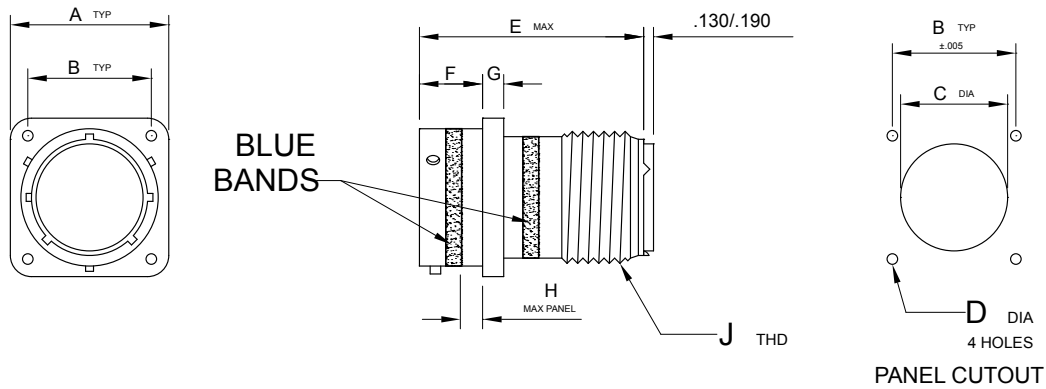


NOTE: BLUE BAND ON CONNECTOR DENOTES REAR RELEASE

SHELL SIZE	A	B	E	F	G	J
		±.030		±.015	±.016	THREAD-2A
8	0.828	0.948	1.215	0.446	0.062	1/2-20 UNF
10	0.954	1.072	1.215	0.446	0.062	5/8-24 UNEF
12	1.047	1.166	1.215	0.446	0.062	3/4-20 UNEF
14	1.141	1.26	1.215	0.446	0.062	7/8-20 UNEF
16	1.234	1.354	1.215	0.446	0.062	1-20 UNEF
18	1.328	1.448	1.215	0.446	0.062	1 1/16-18 UNEF
20	1.453	1.572	1.275	0.572	0.094	1 3/16-18 UNEF
22	1.578	1.698	1.275	0.572	0.094	1 5/16-18 UNEF
24	1.703	2.822	1.275	0.604	0.094	1 7/16-18 UNEF

Wall Mount Wide Flange Receptacle

MS3472

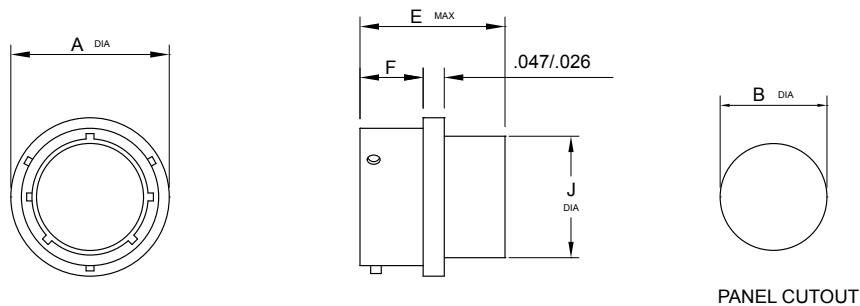


NOTE: BLUE BAND ON CONNECTOR DENOTES REAR RELEASE

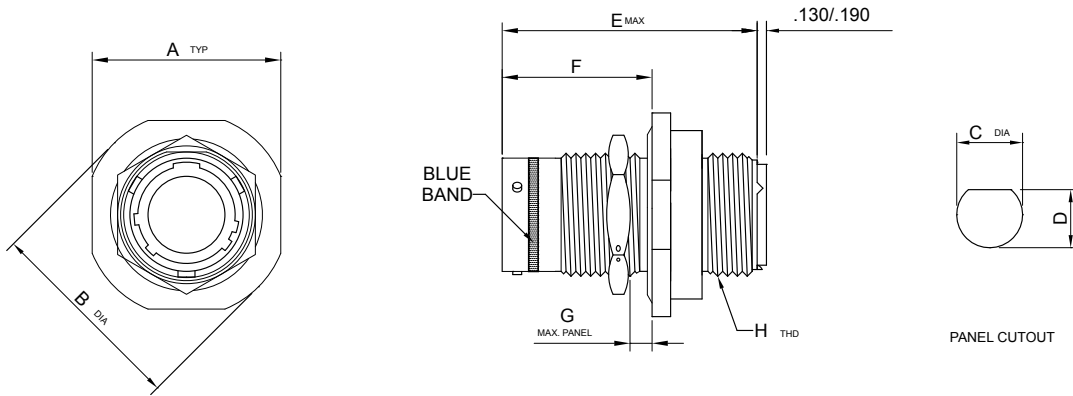
SHELL SIZE	A	B	C	D	E	F	G	H	J
			±.005	±.010		+0.016 -0.015	±.016		THREAD-2A
8	1.065	0.734	0.568	0.15	1.215	0.477	0.062	0.118	1/2-20 UNEF
10	1.141	0.812	0.685	0.15	1.215	0.477	0.062	0.118	5/8-24 UNEF
12	1.266	0.938	0.864	0.15	1.215	0.477	0.062	0.118	3/4-20 UNEF
14	1.36	1.031	0.989	0.15	1.215	0.477	0.062	0.118	7/8-20 UNEF
16	1.453	1.125	1.113	0.15	1.215	0.477	0.062	0.118	1-20 UNEF
18	1.532	1.203	1.238	0.15	1.215	0.477	0.062	0.118	1 1/16-18 UNEF
20	1.688	1.297	1.363	0.15	1.275	0.571	0.094	0.212	1 3/16-18 UNEF
22	1.766	1.375	1.488	0.15	1.275	0.571	0.094	0.212	1 5/16-18 UNEF
24	1.891	1.5	1.615	0.15	1.275	0.604	0.094	0.212	1 7/16-18 UNEF

Hermetic Seal Solder Mount Receptacle

MS3473

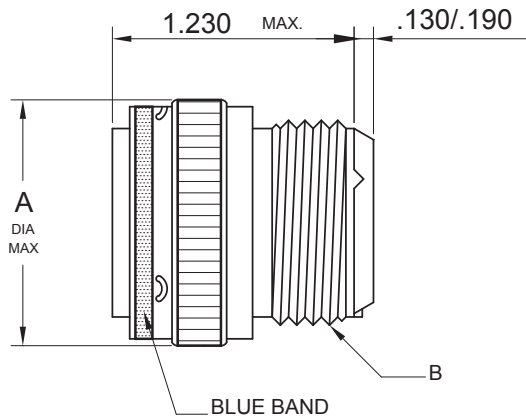


SHELL SIZE	A	B	E	F	J
	±.010			±.012	±.003
8	0.625	0.57	1.078	0.723	0.56
10	0.75	0.68	1.078	0.723	0.67
12	0.844	0.789	1.078	0.723	0.779
14	0.969	0.914	1.078	0.723	0.904
16	1.094	1.039	1.078	0.723	1.03
18	1.218	1.164	1.078	0.723	1.154
20	1.312	1.258	1.14	0.811	1.248
22	1.438	1.383	1.14	0.811	1.373
24	1.564	1.508	1.14	0.811	1.498



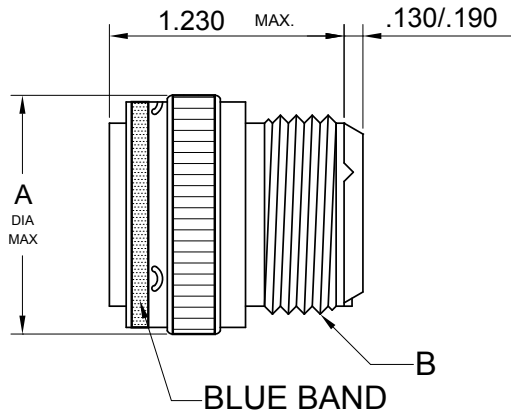
NOTE: BLUE BAND ON CONNECTOR DENOTES REAR RELEASE

SHELL SIZE	A	B	C	D	E	F	G	H
	+0.016 -0.015	+0.016 -0.015	±0.005	±0.005		±0.025		THREAD-2A
8	0.938	1.063	0.572	0.536	1.215	0.683	0.187	1/2-20 UNF
10	1.063	1.187	0.697	0.661	1.215	0.683	0.187	5/8-24 UNEF
12	1.25	1.346	0.895	0.824	1.215	0.683	0.187	3/4-20 UNEF
14	1.346	1.5	1.01	0.948	1.215	0.683	0.187	7/8-20 UNEF
16	1.5	1.625	1.135	1.072	1.215	0.683	0.187	1-20 UNEF
18	1.625	1.75	1.26	1.197	1.215	0.683	0.187	1 1/16-18 UNEF
20	1.812	1.938	1.385	1.322	1.275	0.746	0.25	1 3/16-18 UNEF
22	1.938	2.063	1.51	1.447	1.275	0.746	0.25	1 5/16-18 UNEF
24	2.063	2.187	1.635	1.572	1.275	0.746	0.219	1 7/16-18 UNEF



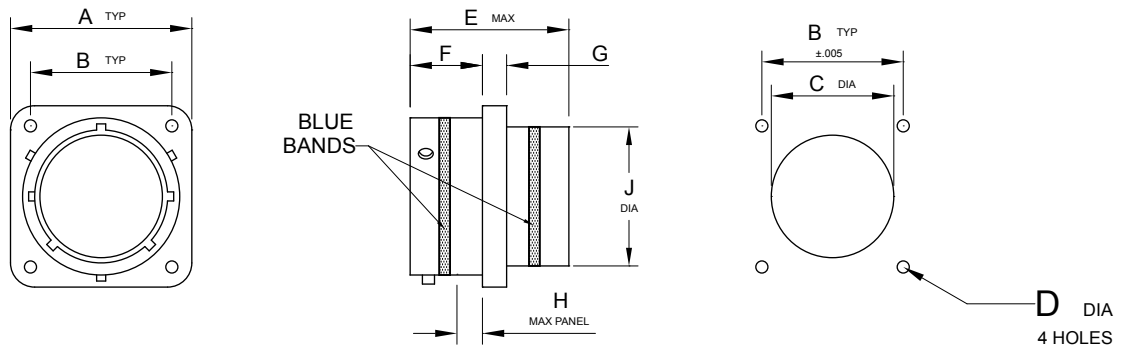
SHELL SIZE	A	B
		THREAD-2A
8	0.782	1/2-20 UNF
10	0.926	5/8-24 UNEF
12	1.043	3/4-20 UNEF
14	1.183	7/8-20 UNEF
16	1.305	1-20 UNEF
18	1.391	1 1/16-18 UNEF
20	1.531	1 3/16-18 UNEF
22	1.656	1 5/16-18 UNEF
24	1.777	1 7/16-18 UNEF

NOTE: BLUE BAND ON CONNECTOR DENOTES REAR RELEASE



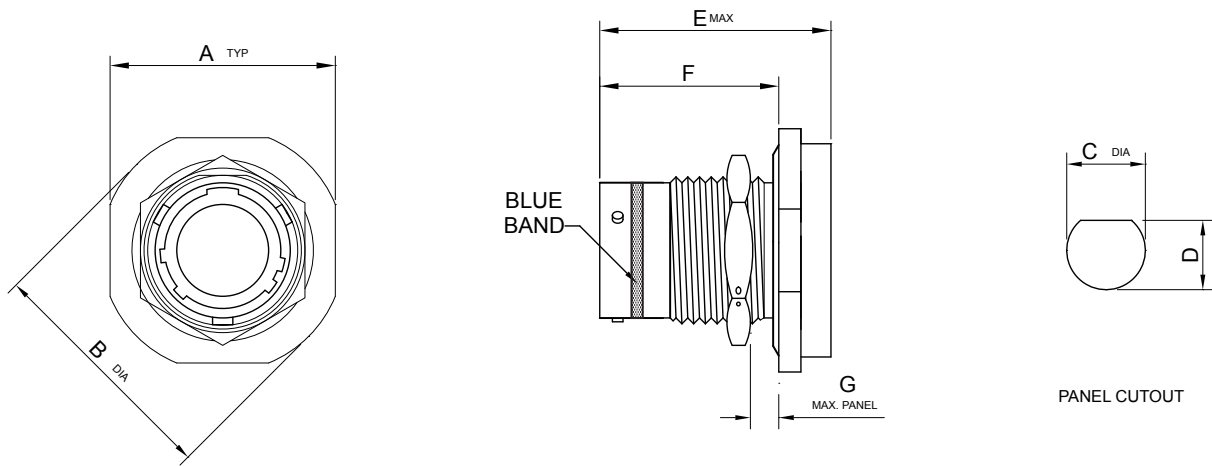
SHELL SIZE	A	B
	THREAD-2A	
8	0.782	1/2-20 UNF
10	0.926	5/8-24 UNEF
12	1.043	3/4-20 UNEF
14	1.183	7/8-20 UNEF
16	1.305	1-20 UNEF
18	1.391	1 1/16-18 UNEF
20	1.531	1 3/16-18 UNEF
22	1.656	1 5/16-18 UNEF
24	1.777	1 7/16-18 UNEF

NOTE: BLUE BAND ON CONNECTOR DENOTES REAR RELEASE



PANEL CUTOUT

SHELL SIZE	A	B	C	D	E	F	G	H	J
			±.005	±.010		±.012	±.016		±.003
8	0.828	0.594	0.568	0.120	1.078	0.692	0.062	0.118	0.560
10	0.954	0.719	0.658	0.120	1.078	0.692	0.062	0.118	0.670
12	1.047	0.812	0.864	0.120	1.078	0.692	0.062	0.118	0.779
14	1.141	0.906	0.989	0.120	1.078	0.692	0.062	0.118	0.904
16	1.234	0.969	1.113	0.120	1.078	0.692	0.062	0.118	1.030
18	1.328	1.062	1.238	0.120	1.078	0.692	0.062	0.118	1.154
20	1.453	1.156	1.363	0.120	1.140	0.751	0.094	0.212	1.248
22	1.578	1.250	1.488	0.120	1.140	0.751	0.094	0.212	1.373
24	1.703	1.375	1.615	0.147	1.140	0.751	0.094	0.212	1.498



NOTE: BLUE BAND ON CONNECTOR DENOTES REAR RELEASE

SHELL SIZE	A	B	C	D	E	F	G
	+0.016 -0.015	+0.016 -0.015	±0.005	±0.005		±0.010	±0.008
8	0.938	1.063	0.572	0.536	1.078	0.877	0.105
10	1.063	1.187	0.697	0.661	1.078	0.877	0.105
12	1.250	1.346	0.895	0.824	1.078	0.877	0.105
14	1.346	1.500	1.010	0.984	1.078	0.877	0.105
16	1.500	1.625	1.135	1.072	1.078	0.877	0.105
18	1.625	1.750	1.260	1.197	1.078	0.877	0.105
20	1.812	1.938	1.385	1.322	1.140	0.906	0.136
22	1.938	2.063	1.510	1.447	1.140	0.906	0.136
24	2.063	2.187	1.635	1.572	1.140	0.906	0.136



MIL-C-26482 Series 1 & 2

Insertion Configuration & Keyway Position

A plug with a given rotation letter will mate with a receptacle with the same rotation letter. The angle for a give connector is the same whether the connector contains either Pin or Socket contacts. Inserts are not rotated in conjunction with the master key or keyway.

The diagrams below show the view from the front face of the connector. You will find that the keyway angle for the plug and the receptacle are exactly the same with the exception that the direction of the rotation is opposite to allow the connectors to mate.

All insert configurations – MIL-STD-1669 for active designs

Insert	Contact Size				Alternate Insert Position				
	Total	#20	#16	#12	#8	W	X	Y	Z
8-3	3	3				60	210	-	-
8-4	4	4				45	-	-	-
8-98	3	3				60	-	-	-
10-6	6	6				90	-	-	-
10-98	6	6				90	180	240	270
12-3	3		3			-	-	180	-
12-8	8	8				90	112	203	292
12-10	10	10				60	155	270	295
14-4	4			4		45	-	-	-
14-5	5		5			40	92	184	273
14-9	9	5		4		15	90	18	240
14-12	12	8	4			43	90	-	-
14-15	15	14	1			17	110	155	234
14-18	18	18				15	90	180	270
14-19	19	19				30	65	315	
14-22	5	1		4		45			
16-8	8		8			54	152	180	331
16-14	14	8		6		25	78	180	240
16-23	23	22	1			158	270	-	-
16-95	8	6			2	25	90	153	-
16-99	23	21	2			66	156	223	340
18-8	8			8					
18-11	11		11			62	119	241	340
18-30	30	29	1			180	193	285	350
18-32	32	32				85	138	222	265
18-85	13	5		8		45	90	180	240
18-88	8	4			4	12	45	168	202
20-16	16		16			238	318	333	347
20-24	24	24				70	145	215	290
20-27	27	27				72	144	216	288
20-39	39	37	2			63	144	252	333
20-41	41	41				45	126	225	-
20-90	15	3	12						
22-12	12			12					
22-19	19			19					
22-21	21		21			16	135	175	349
22-32	32	32				72	145	215	288
22-34	34	34				62	142	218	298
22-41	41	27	14			39	135	264	-
22-55	55	55				30	142	226	314
22-95	32	26		6		26	180	266	-
22-96	7				7	19	41	-	-
24-19	19			19		30	165	315	-
24-27	27	11		16		45	110	140	225
24-61	61	61				90	180	270	324



MIL-C-26482 Series 1 & 2

Pins, Sockets and Tooling

MIL C 26482 Series 1

Contact Size	Wire AWG Range	Socket Contact	Pin Contact	Crimp Tool	Die/ Positioner	Extraction Tool	Insertion Tool
20	20-24	M39029/32-259 Red/Green/White	M39029/31-240 Red/Yellow/Black	M22520/1-01 or M22520/2-01	M22520/1-02 Red or M22520/2-02	ATML-1906B Metal Tool	M81969/17-03
16	16-20	M39029/32-247 Red/Yellow/Violet	M390259/31-228 Red/Red/Grey	M22520/1-01	M22520/1-02 Blue	M81969/19-08	M81969/17-04
12	12-14	M39029/32-253 Red/Green/Orange	M39029/31-234 Red/Orange/Yellow	M22520/1-01	M22520/1-02 Yellow	M81969/19-09	M81969/14-04

Mil C 26482 Series 2

Contact Size	Wire AWG Range	Socket Contact	Pin Contact	Crimp Tool	Die/ Positioner	Extraction Tool	Insertion Tool
20	20-24	M39029/5-115 Brown/Brown/Green	M39029/4-110 Brown/Brown/Black	M22520/1-01 or M22520/2-01	M22520/1-02 Red or M22520/2-02	M81969/8-06 or M81969/14-02	M81969/8-05 or M81969/14-02
16	16-20	M39029/5-116 Brown/Brown/Blue	M390259/4-111 Brown/Brown/Brown	M22520/1-01 or M22520/7-01	M22520/1-02 Blue or M22520/7-03	M81969/8-08 or M81969/14-03	M81969/8-07 or M81969/14-03
12	12-14	M39029/5-118 Brown/Brown/Grey	M39029/4-113 Brown/Brown/Orange	M22520/1-01	M22520/1-02 Yellow	M81969/14-01	M81969/14-01

Contact Size	Rated Amps	Mili Volt Drop
20	7.5	25
16	22	21
12	35	20

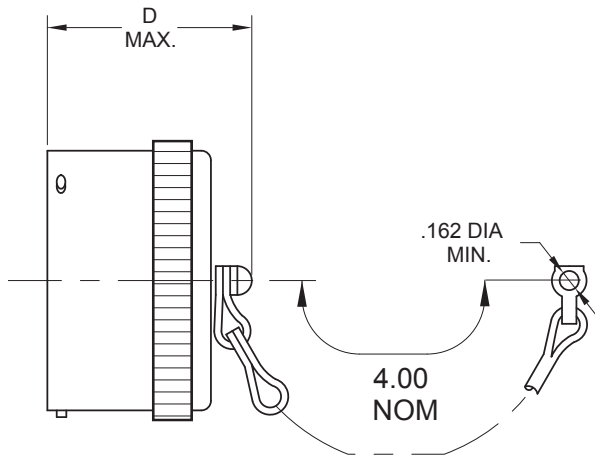
Service Rating	Operating V@Sea Level		Test Voltage AC RMS				Creepage Distance	Mechanical Spacing
	DC	AC RMS	Sea Level	50,000FT	70,000FT	110,000FT		
I	700	500	1500	500	375	200	3/32"	3/64"
II	1250	900	2300	750	500	200	1/8"	5/64"



Accessory Quick Reference Guide

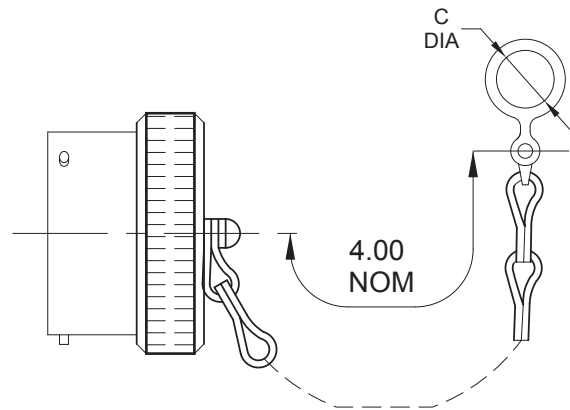
MIL-C-26482 Series 1 & 2 Backshells & Caps

MS3180 – Metal Dust Cap for Plug



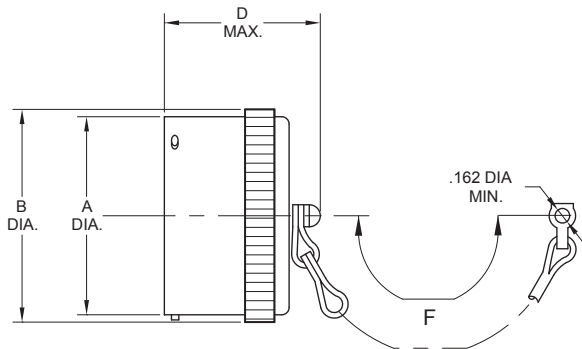
TERMINATION TYPE C Stainless Sash Chain

- M83723/46*C
- MS3180*C



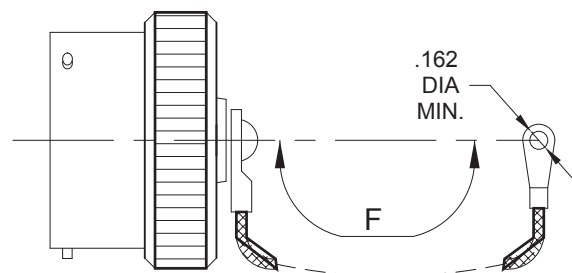
TERMINATION TYPE N Stainless Sash Chain

- M83723/46*N



TERMINATION TYPE C Stainless Sash Chain

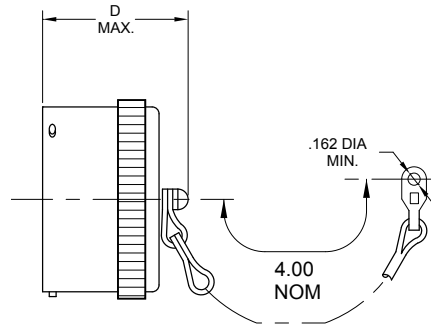
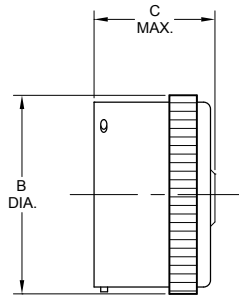
- MS3180*CA
- MS3180*CAL



TERMINATION TYPE C Wire Rope

- MS3180*RA
- MS3180*RAL

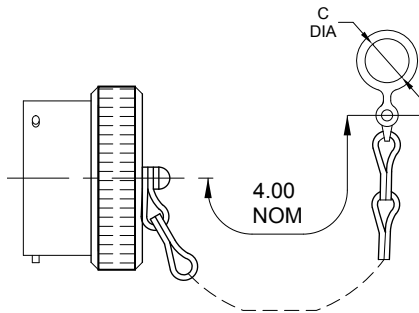
MS3181 – Metal Dust Cap for Receptacles



- MS83723/44*
- MS3181*

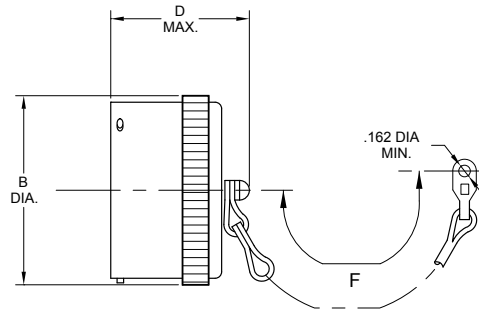
TERMINATION TYPE C Stainless Sash Chain

- MS83723/44*C
- MS3181*C



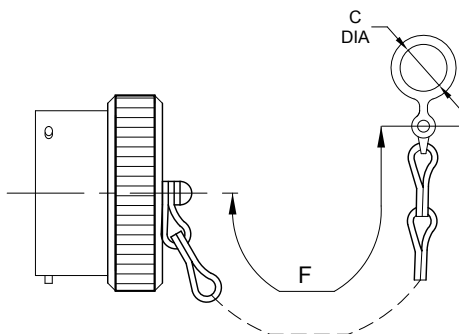
TERMINATION TYPE N Stainless Sash Chain

- MS3181*NA
- MS3181*NAL



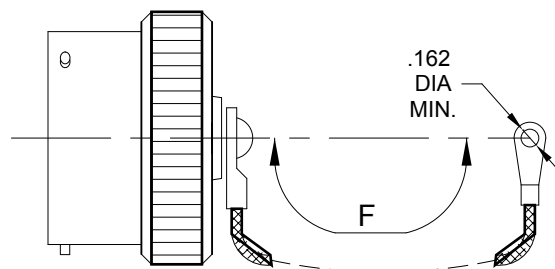
TERMINATION TYPE C Stainless Sash Chain

- MS3181*CA
- MS3181*CAL



TERMINATION TYPE N Stainless Sash Chain

- MS3181*NA
- MS3181*NAL



TERMINATION TYPE R Wire Rope

- MS3181*RA
- MS3181*RAL



ROJONE Pty. Limited

44 Aero Road, Ingleburn NSW 2565, Sydney Australia

Tel: +61 2 9829 1555 Fax: +61 2 9605 8812

Email: sales@rojone.com.au Web: www.rojone.com.au