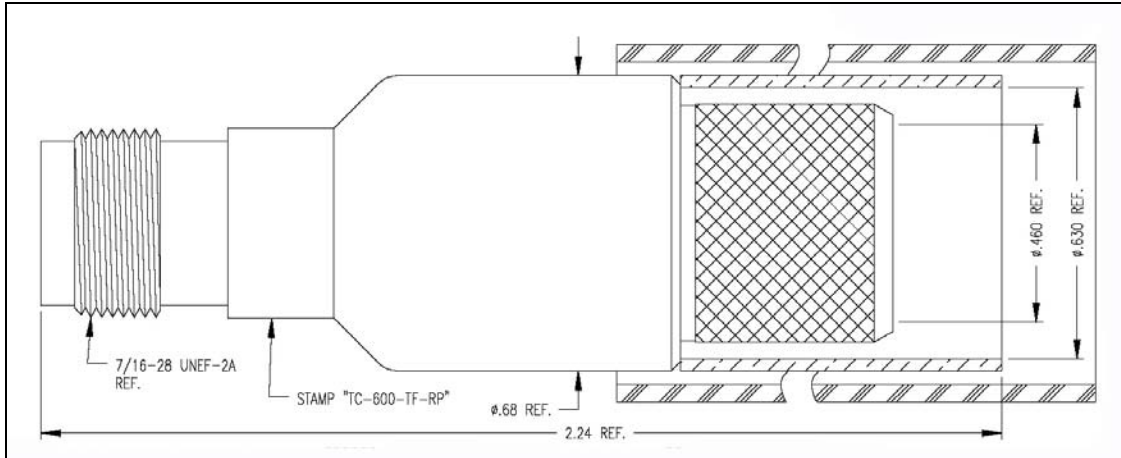


LTR	DESCRIPTION	DATE	BY
-	Released	2/14/01	JCL



**I. MATERIALS & FINISHES**

- center contact: Gold Plated Brass – male pin
- outer contact: Nickel Plated Brass
- body: Nickel Plated Brass
- crimp sleeve: Nickel Plated Copper
- dielectric: Teflon® PTFE
- gasket: Silicone Rubber
- shrink sleeve: Adhesive Lined Polyolefin
- crimp size: .610" hex

**II. ELECTRICAL PROPERTIES**

- impedance: 50 ohms
- working voltage: 500 vrms (max)
- vswr: 1.25:1 (max) up to 3 GHz
- insertion loss:  $0.1 \times \sqrt{F}$ ghz



**Australian Representatives**  
**ROJONE, PTY LTD.**  
Tel: 02 9829 1555  
E: sales@rojone.com.au  
www.rojone.com.au

Unless otherwise specified, dimensions are in inches. Tolerances are applicable when specified.

These drawings and specifications contain proprietary information which is the property of Times Microwave Systems.

Approvals		
Drawn	JCL	2/14/01
Check		
Prj. Mgr.		
Prd. Mgr.		
QA Mgr.		



**TIMES MICROWAVE SYSTEMS**  
Wallingford, CT 06492  
(203) 949-8400; (203) 949-8423.Fax  
www.timesmicrowave.com

**TC-600-TF-RP**  
Reverse Polarity TNC Female (male pin)  
for LMR-600 Cable

Size A	CAGE CODE <b>68999</b>	Drawing No.: <b>3190-1065</b>
Scale: NA	Rev. ( )	Sheet: 1 of 1