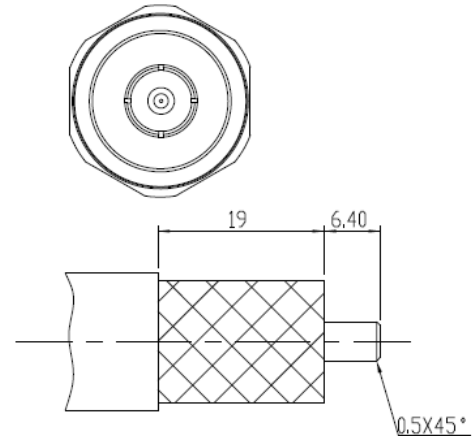
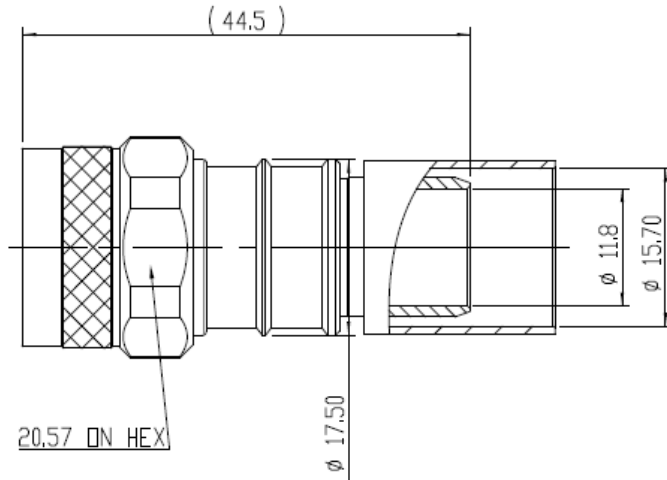


**NOTICE OF PROPRIETARY RIGHTS** THIS DOCUMENT CONTAINS CONFIDENTIAL TECHNICAL DATA, INCLUDING TRADE SECRETS, PROPRIETARY TO TIMES MICROWAVE SYSTEMS. DISCLOSURE OF THIS DATA IS EXPRESSLY CONDITIONED UPON YOUR ASSENT THAT ITS USE IS LIMITED TO USE WITHIN YOUR COMPANY ONLY. ANY OTHER USE IS STRICTLY PROHIBITED WITHOUT THE PRIOR WRITTEN CONSENT OF TIMES MICROWAVE SYSTEMS.

SYM	REVISION DESCRIPTION	DFTM	DATE	APPD	DATE
A	RELEASED FOR PRODUCTION	D. J. H.	8/9/11	J. D. B.	8/16/11
B	CHANGED PER CDC #36735	N.N.N	4/8/13	J. D. B.	4/10/13



Reference standard IEC60169-16

I. Electric Performance

Nominal Impedance( $\Omega$ ):	50
Frequency Range:	DC-6GHz
VSWR:	$\leq 1.3(0-6G)$
Insert Loss:	$\leq 0.10$
Insulation resistance (M $\Omega$ ):	$>5000$
Proof voltage (V):	2500
Conductor resistance (m $\Omega$ ):	outer conductor $<0.4$ inner conductor $<0.8$

II. Mechanical Performance

Tensile force(cable-connect)	400N
Torsion(cable-connect)	2N.m

III. Material and plating:

Component	Material	Plating
inner conductor	Brass	Au $>1.27\mu m$
outer conductor	Brass	Copper-tin-zinc $>2\mu m$
insulator	PTFE	
nut	Brass	Copper-tin-zinc $>2\mu m$

IV. Environment

Temperature	$-55^{\circ}C \sim +155^{\circ}C$
Weather standard	IEC 60068 55 / 155/ 56
Thermal shock	US MIL-STD 202,Meth.107,Cond.B
Vibration	US MIL-STD 202,Meth.204,Cond.B
Shock	US MIL-STD 202,Meth.213,Cond.I
ROHS compliant	

V. Assemble: inner conductor soldered and outer conductor crimped


**Australian Representatives**  
**ROJONE, PTY LTD.**  
 Tel: 02 9829 1555  
 E: sales@rojone.com.au  
 www.rojone.com.au

MATL:	UNLESS OTHERWISE SPECIFIED		DFTM. D. J. H.	TIMES MICROWAVE SYSTEMS
	ALL DIMENSIONS ARE IN mm MACHINED SURFACES FINISH N/A RMS MAX. REMOVE ALL BURRS N/A MAX. BREAK MACHINE CORNERS N/A MAX. FILLET R. TOLERANCES ON DECIMALS . XX $\pm$ N/A . XXX $\pm$ N/A ANGLES $\pm 1^{\circ}$ FRACTIONS $\pm$ N/A		DATE 8/9/11	
USED ON: 1-0	DO NOT SCALE DRAWING		CHKD. J. D. B.	<b>TC-600-NMH-X</b> "N" MALE FOR LMR-600 CABLE SOLDER/CRIMP/NO BRAID TRIM
			DATE 8/16/11	
SCALE: N/A	DWG. SIZE: A	CODE IDENT: 68999	APPD. J. D. B.	SHEET: 1 of 1
			DATE 8/16/11	SD3190-2628
				REV: B