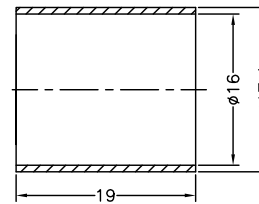
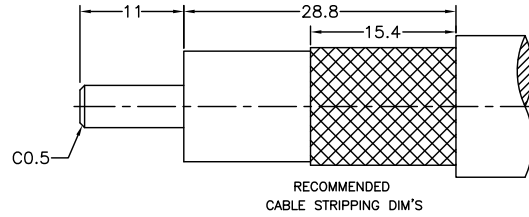
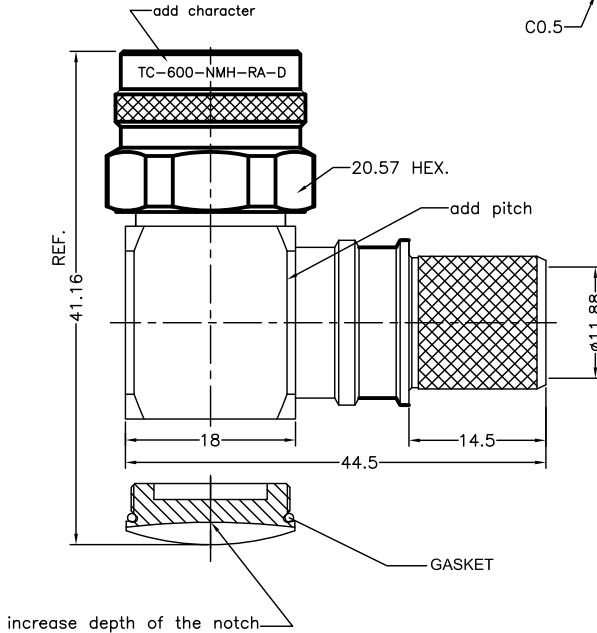


NOTICE OF PROPRIETARY RIGHTS THIS DOCUMENT CONTAINS CONFIDENTIAL TECHNICAL DATA, INCLUDING TRADE SECRETS, PROPRIETARY TO TIMES MICROWAVE SYSTEMS. DISCLOSURE OF THIS DATA IS EXPRESSLY CONDITIONED UPON YOUR ASSENT THAT ITS USE IS LIMITED TO USE WITHIN YOUR COMPANY ONLY. ANY OTHER USE IS STRICTLY PROHIBITED WITHOUT THE PRIOR WRITTEN CONSENT OF TIMES MICROWAVE SYSTEMS.

SYM	REVISION DESCRIPTION	DFTM	DATE	APPD	DATE
A	RELEASED FOR PRODUCTION	K.A.M.	5/18/10	J.D.B.	5/24/10



Australian Representatives
ROJONE, PTY LTD.
 Tel: 02 9829 1555
 E: sales@rojone.com.au
 www.rojone.com.au



REMARKS:
 CRIMP FERRULE FOR .610" HEX.

MATERIALS AND PLATING		UNIT: MICRO-INCHES
BODY,SHELL	BRASS C3604	ALBALOY PL. 80µ" MIN.
CONTACT PIN	BRASS C3604	GOLD 50µ"*/ NICKEL/COPPER
INSULATOR	TEFLON MIL-P-19468	
FERRULE	COPPER	ALBALOY PL. 80µ" MIN.
GASKET	SILICONE	RED

MECHANICAL CHARACTERISTICS	
Force to engage and disengage	6 lbs MAX.
Center contact retention force	6 lbs MIN.
Coupling torque	30 in-lbs
Coupling nut retention force	100 lbs
Durability	≥ 500 cycles

ELECTRICAL CHARACTERISTICS	
Impedance	50 Ω
Voltage rating	1000V(rms)
Frequency range	0~6GHz
Dielectric withstanding voltage	1500V
Contact resistance	Center contact: <3mΩ Outer contact<2m Ω
Insulation resistance	≥5000MΩ
Insertion loss	According as the cable
RF- leakage	-90 dB up to 3 GHz
VSWR	≤1.25 (DC-2.5GHz)
3rd Intermodulation)	-

ENVIRONMENTAL CHARACTERISTICS	
Temperature range	-55°C- +155°C
Thermal shock	US MIL- STD 202, Meth. 107, Cond. B
Vibration	US MIL- STD 202, Meth. 204, Cond. B
Shock	US MIL- STD 202, Meth. 213, Cond. I
Climatic class	IEC 60068 65/165/21

MATL:	UNLESS OTHERWISE SPECIFIED	DFTM. K. A. M.	TIMES MICROWAVE SYSTEMS
	ALL DIMENSIONS ARE IN mm	DATE 5/18/10	
USED ON:	TOLERANCES ON DECIMALS	CHKD. J. D. B.	N MALE, RIGHT ANGLE FOR LMR-600 CABLE
	.X ± 0.2 .XX ± 0.1	DATE 5/24/10	
SCALE: ~	ANGLES ± 3	APPD. J. D. B.	1 of 1 SD3190-2427
DWG. SIZE A	SURFACE FINISH: 1.6µ	DATE 5/24/10	
DO NOT SCALE DRAWING	CODE IDENT 68999	DATE 5/24/10	REV. A