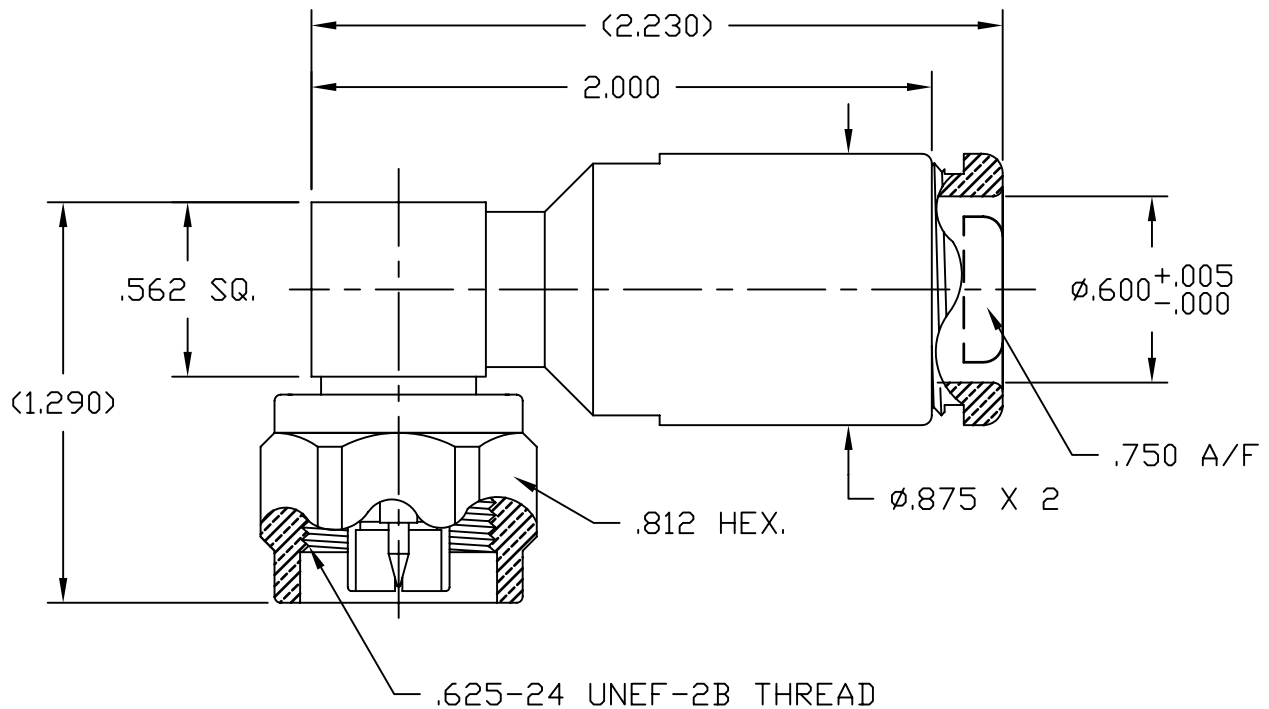


**NOTICE OF PROPRIETARY RIGHTS** THIS DOCUMENT CONTAINS CONFIDENTIAL TECHNICAL DATA, INCLUDING TRADE SECRETS, PROPRIETARY TO TIMES MICROWAVE SYSTEMS. DISCLOSURE OF THIS DATA IS EXPRESSLY CONDITIONED UPON YOUR ASSENT THAT ITS USE IS LIMITED TO USE WITHIN YOUR COMPANY ONLY. ANY OTHER USE IS STRICTLY PROHIBITED WITHOUT THE PRIOR WRITTEN CONSENT OF TIMES MICROWAVE SYSTEMS.

SYM	REVISION DESCRIPTION	DFTM	DATE	APPD	DATE
-	RELEASED FOR PRODUCTION	J. P.	9/1/94	J. P.	9/1/94
A	CHANGED PER CDC #28214	D. J. H.	4/10/08	J. D. B.	4/14/08



**Australian Representatives**  
**ROJONE, PTY LTD.**  
 Tel: 02 9829 1555  
 E: sales@rojone.com.au  
 www.rojone.com.au



**NOTES:**

- ASSEMBLED CONNECTOR INTERFACE IS DESIGNED IN ACCORDANCE WITH MIL-STD-348.
- MATERIAL:** LOCKING RING - PHOSPHOR BRONZE PER QQ-B-750.  
 CABLE CONTACT - BERYLLIUM COPPER PER ASTM B196.  
 INSULATORS - TEFLON PER ASTM D1710.  
 GASKETS - SILICONE RUBBER PER ZZ-R-765.  
 ALL OTHER METAL PARTS - BRASS PER ASTM B16.
- FINISHES:** LOCKING RING - NOT PLATED.  
 CONTACTS - GOLD PLATE PER MIL-G-45204.  
 ALL OTHER METAL PARTS - SILVER PLATE PER QQ-S-365.

MATERIAL: UNLESS OTHERWISE SPECIFIED	ALL DIMENSIONS ARE IN INCHES MACHINED SURFACES FINISH N/A RMS MAX. REMOVE ALL BURRS .005 MAX. BREAK MACHINE CORNERS .005 MAX. FILLET R. TOLERANCES ON DECIMALS .XX ± .03 .XXX ± .005 ANGLES ± 3° FRACTIONS ± N/A	DFTM. J. P.	TIMES MICROWAVE SYSTEMS
		DATE 9/1/94	
USED ON: -	CHKD. J. P.	TC-600-NMC-RA 90° "N" MALE (PLUG) CLAMP FOR LMR-600 CABLE	
	DATE 9/1/94		
SCALE: N/A	DWG. SIZE A	APPD. J. P.	DATE 9/1/94
DO NOT SCALE DRAWING	CODE IDENT 68999	DATE 9/1/94	1 of 1 SD3190-233 REV A