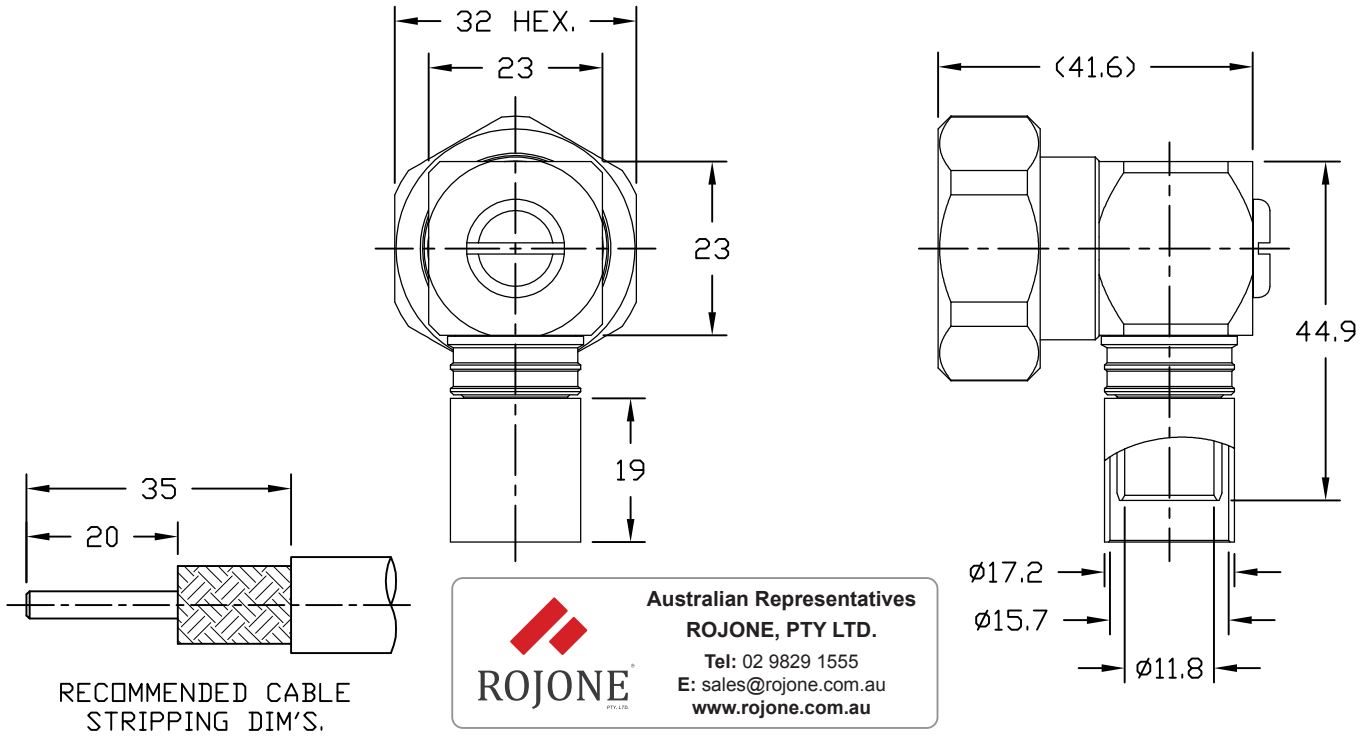


NOTICE OF PROPRIETARY RIGHTS THIS DOCUMENT CONTAINS CONFIDENTIAL TECHNICAL DATA, INCLUDING TRADE SECRETS, PROPRIETARY TO TIMES MICROWAVE SYSTEMS. DISCLOSURE OF THIS DATA IS EXPRESSLY CONDITIONED UPON YOUR ASSENT THAT ITS USE IS LIMITED TO USE WITHIN YOUR COMPANY ONLY. ANY OTHER USE IS STRICTLY PROHIBITED WITHOUT THE PRIOR WRITTEN CONSENT OF TIMES MICROWAVE SYSTEMS.

SYM	REVISION DESCRIPTION	DFTM	DATE	APPD	DATE
A	RELEASED FOR PRODUCTION	K.A.M.	10/14/10	J.D.B.	10/18/10
B	CHANGED PER CDC #37110	N.N.N	2/21/13	J.D.B.	2/21/13
C	CHANGED PER CDC #39280	D.J.H.	2/11/14	J.D.B.	2/12/14



RECOMMENDED CABLE STRIPPING DIM'S.

Reference standard IEC60169-4

I. Electric Performance

Nominal Impedance(Ω):	50
Frequency Range:	DC-3GHz
VSWR:	≤1.15
INSERT LOSS:	≤ 0.1
Insulation resistance (MΩ)	>10000
Proof voltage (V)	2500
Conductor resistance (mΩ)	outer conductor <0.2 inner conductor <0.8

II. Mechanical Performance

Nut torque	25N.m
(Nut) Whorl pull	1000N
Tensile force (cable-connect)	500N
Torsion (cable-connect)	5N.m

III. Material and plating:

Component	Material	Plating
Inner conductor	Brass	Ag 200 micro inches
Outer conductor	Brass	Copper-tin-zin (Albaloy) 150 micro inches
Ferrule	copper	Copper-tin-zin (Albaloy) 150 micro inches
Nut	Brass	Copper-tin-zin (Albaloy) 150 micro inches
Gasket	Silicone rubber	
Insulator	PTFE	

IV. Environment

Temp. Range	-55°C~+155°C
Weather Standard	IEC 60068 55/155/56
Thermal Shock	US MIL-STD 202, Meth.107, Cond. B
Vibration	US MIL-STD 202, Meth.204, Cond. B
Shock	US MIL-STD 202, Meth.213, Cond. I
Waterproofing Standard	IP67

V. Assembly: inner conductor soldered and outer conductor crimped.

VI. ROHS Compliant.

MATERIAL:	UNLESS OTHERWISE SPECIFIED	DFTM. K. A. M.	TIMES MICROWAVE SYSTEMS
	ALL DIMENSIONS ARE IN mm MACHINED SURFACES FINISH N/ARMS MAX. REMOVE ALL BURRS 0.15X45° MAX. BREAK MACHINE CORNERS 0.15X45° MAX. FILLET R. TOLERANCES ON DECIMALS . X ± N/A . XX ± N/A ANGLES ± N/A FRACTIONS ± N/A	DATE 10/14/10	
USED ON: ROV2		CHKD. J. D. B.	TC-600-716M-RA-D 90° 7-16 MALE FOR LMR600 CABLE
		DATE 10/18/10	
SCALE: N/A	DWG. SIZE A	APPD. J. D. B.	SHT 1 of 1 SD3190-2599 REV C
DO NOT SCALE DRAWING	CODE IDENT 68999	DATE 10/18/10	