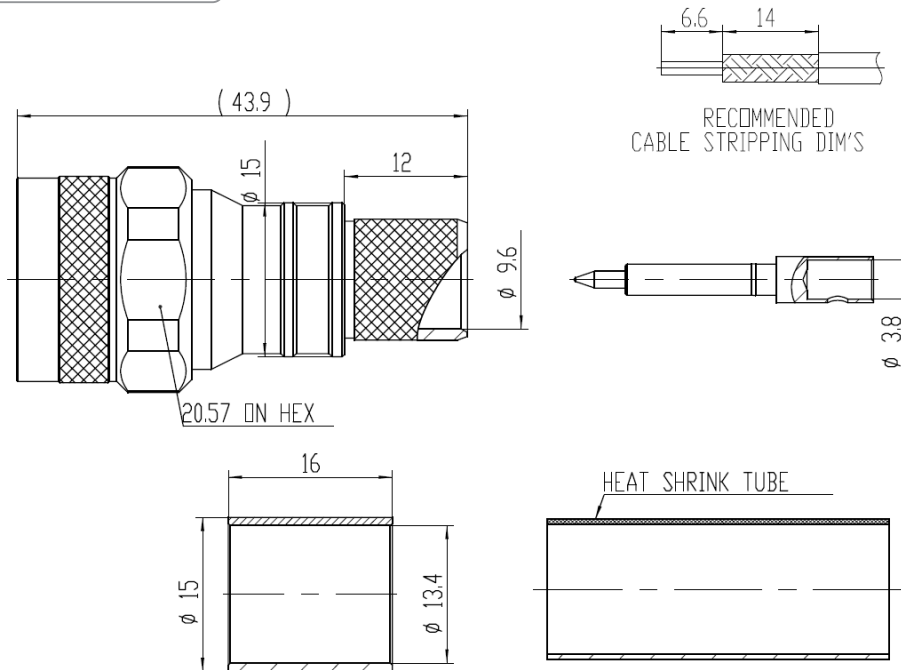


NOTICE OF PROPRIETARY RIGHTS THIS DOCUMENT CONTAINS CONFIDENTIAL TECHNICAL DATA, INCLUDING TRADE SECRETS, PROPRIETARY TO TIMES MICROWAVE SYSTEMS. DISCLOSURE OF THIS DATA IS EXPRESSLY CONDITIONED UPON YOUR ASSENT THAT ITS USE IS LIMITED TO USE WITHIN YOUR COMPANY ONLY. ANY OTHER USE IS STRICTLY PROHIBITED WITHOUT THE PRIOR WRITTEN CONSENT OF TIMES MICROWAVE SYSTEMS.

SYM	REVISION DESCRIPTION	DFTM	DATE	APPD	DATE
A	RELEASED FOR PRODUCTION	K.A.M.	1/21/10	J.D.B.	3/5/10
B	CHANGED PER CDC #42295	N.N.N.	5/26/15	J.D.B.	5/26/15
C	CHANGED PER CDC #48422	N.N.N.	2/13/18	J.D.B.	2/13/18
D	CHANGED PER CDC #49186	D.J.H.	5/30/18	D.A.P.	5/30/18



Australian Representatives
ROJONE, PTY LTD.
 Tel: 02 9829 1555
 E: sales@rojone.com.au
 www.rojone.com.au



REFERENCE STANDARD	IEC61169-16
1. ELECTRIC PERFORMANCE	
NOMINAL IMPEDANCE(Ω)	50
FREQUENCY RANGE	DC-6GHz
VSWR	≤ 1.25
INSERT LOSS(dB)	≤ 0.1 (DC~3GHz)
INSULATION RESISTANCE(M Ω)	≥ 5000
DIELECTRIC WITHSTANDING VOLTAGE(V)	2500
CONTACT RESISTANCE(m Ω)	OUTER CONDUCTOR <0.4 INNER CONDUCTOR<0.8
2. MECHANICAL PERFORMANCE	
NUT TORQUE	5N.m
(NUT)WHORL PULL	500N
TENSILE FORCE(CABLE-CONNECTOR)	400N
TORSION(CABLE-CONNECTOR)	2N.m

3. MATERIAL AND PLATING	
INNER CONDUCTOR	BRASS Au50 MICRO INCHES
OUTER CONDUCTOR	BRASS ALBALDY 100 MICRO INCHES
NUT	BRASS ALBALDY 100 MICRO INCHES
FERRULE	COPPER ALBALDY 100 MICRO INCHES
INSULATOR	PTFE
GASKET	SILICONE RUBBER
4. ENVIRONMENT	
TEMP.RANGE	-40 $^{\circ}$ C~+125 $^{\circ}$ C
CLIMATIC CLASS	IEC 60068 65/165/21
THERMAL SHOCK	MIL-STD 202G, Meth.107, Cond.B
VIBRATION	MIL-STD 202G, Meth.204, Cond.B
SHOCK	MIL-STD 202G, Meth.213, Cond.I

5. ASSEMBLY: INNER CONDUCTOR SOLDERED AND OUTER CONDUCTOR CRIMPED

MATERIAL:	UNLESS OTHERWISE SPECIFIED		DFTM: K. A. M.	TIMES MICROWAVE SYSTEMS	
	ALL DIMENSIONS ARE IN mm		DATE: 1/21/10		
USED ON: ROV2	TOLERANCES ON DECIMALS		CHKD: J. D. B.	TC-500-NMH-X N MALE FOR LMR-500	
	. X \pm 0.2 . XX \pm 0.1		DATE: 3/5/10		
	ANGLES \pm 3		APPD: J. D. B.		
SCALE: ~	DWG. SIZE: A	DO NOT SCALE DRAWING	CODE IDENT: 68999	DATE: 3/5/10	SHT: 1 of 1 SD3190-2514 REV: D