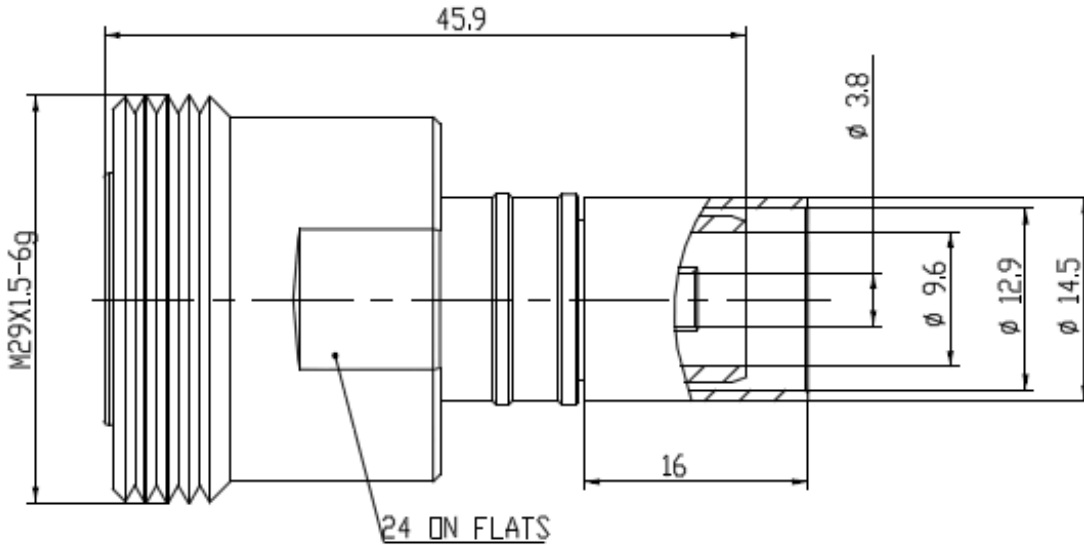


NOTICE OF PROPRIETARY RIGHTS THIS DOCUMENT CONTAINS CONFIDENTIAL TECHNICAL DATA, INCLUDING TRADE SECRETS, PROPRIETARY TO TIMES MICROWAVE SYSTEMS. DISCLOSURE OF THIS DATA IS EXPRESSLY CONDITIONED UPON YOUR ASSENT THAT ITS USE IS LIMITED TO USE WITHIN YOUR COMPANY ONLY. ANY OTHER USE IS STRICTLY PROHIBITED WITHOUT THE PRIOR WRITTEN CONSENT OF TIMES MICROWAVE SYSTEMS.

SYM	REVISION DESCRIPTION	DFTM	DATE	APPD	DATE
A	RELEASED FOR PRODUCTION	N. N. N	7/31/13	J. D. B.	8/16/13



Reference standard IEC60169-4

I. Electric Performance

Nominal Impedance(Ω):	50 ± 2
Frequency Range:	DC-6GHz
VSWR:	≤ 1.35
Insert Loss(dB)	≤ 0.1(3G)
Insulation resistance (MΩ)	≥ 10000
Proof voltage (V)	2500
Conductor resistance (mΩ)	outer conductor < 0.2 inner conductor < 0.8

II. Mechanical Performance

Retention	≥ 0.56N 0.28N 5.88N
Mating cycles	500
Tensile force(cable-connector)	300N
Torsion(cable-connector)	3Nm

III. Material and plating

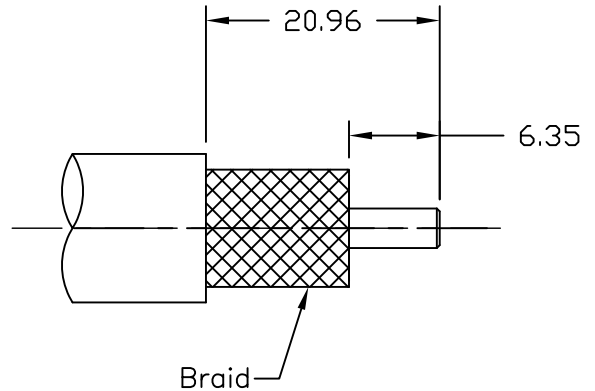
Component	Material	Plating
Inner conductor	Spring Bronze	Ag 5μm
Outer conductor	Brass	Copper-th-zinc 2μm
Tube	copper	Copper-th-zinc 2μm
Insulator	PTFE	

IV. Environment

Temperature	-40°C~+85°C
Weather standard	IEC 60068 40 / 085/ 21
Thermal shock	US MIL-STD 202,Meth.107,Cond.B
Vibration	US MIL-STD 202,Meth.204,Cond.B
Shock	US MIL-STD 202,Meth.213,Cond.A

V. Assembly: inner conductor soldered and outer conductor crimped

VI. ROHS Compliant.



Australian Representatives
ROJONE, PTY LTD.
Tel: 02 9829 1555
E: sales@rojone.com.au
www.rojone.com.au

MATERIAL:	UNLESS OTHERWISE SPECIFIED		DFTM. N. N. N	TIMES MICROWAVE SYSTEMS
	ALL DIMENSIONS ARE IN mm MACHINED SURFACES FINISH N/A RMS MAX. REMOVE ALL BURRS N/A MAX. BREAK MACHINE CORNERS N/A MAX. FILLET R. TOLERANCES ON DECIMALS . XX ± N/A . XXX ± N/A ANGLES ± N/A FRACTIONS ± N/A		DATE 7/31/13	
USED ON: 0			CHKD. J. D. B.	TC-500-716F-X 7/16 FEMALE FOR LMR-500
			DATE 8/16/13	
SCALE: N/A	DWG. SIZE A	DO NOT SCALE DRAWING	APPD. J. D. B.	SHEET 1 of 1 SD3190-2906 REV A
		CODE IDENT 68999	DATE 8/16/13	