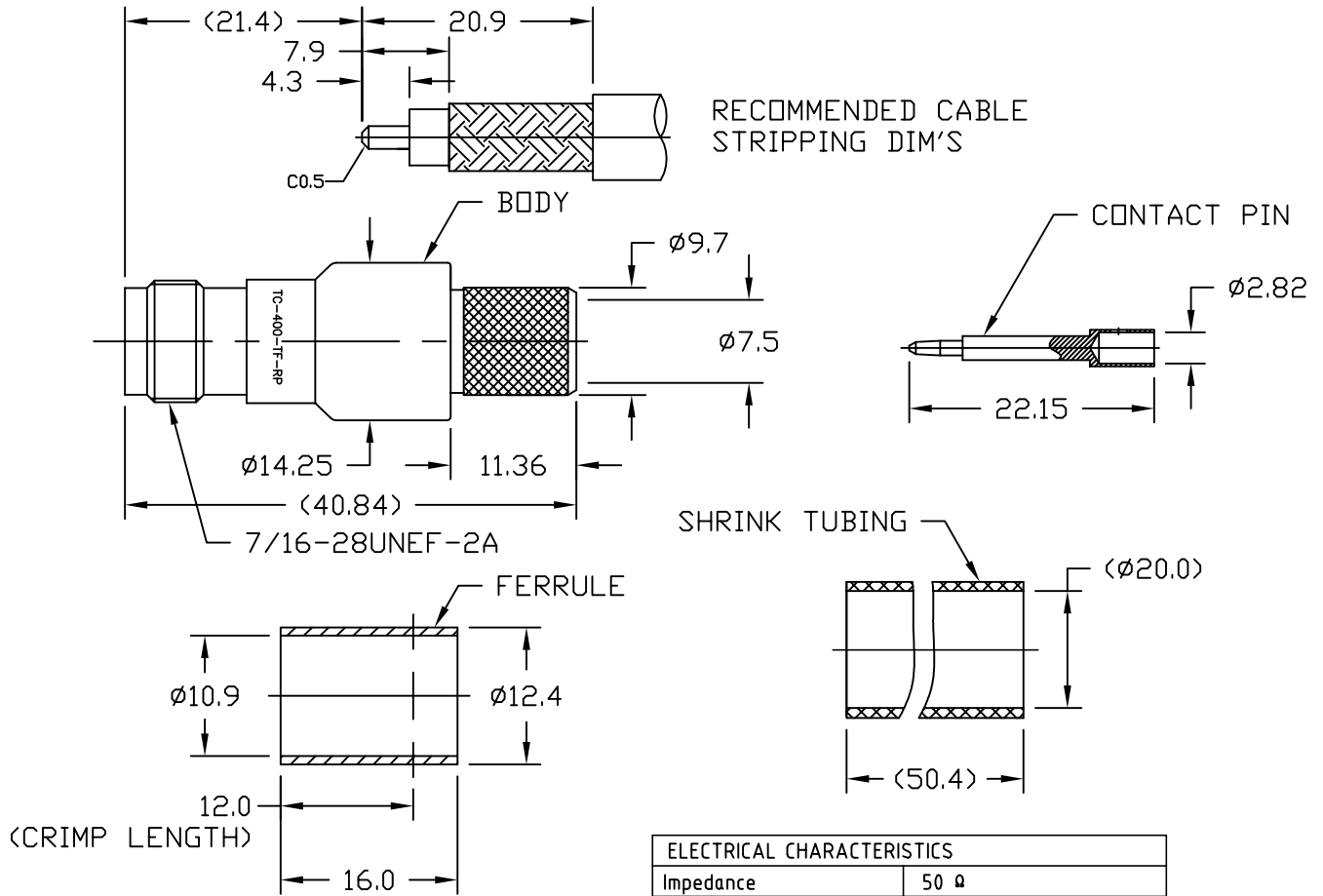


NOTICE OF PROPRIETARY RIGHTS THIS DOCUMENT CONTAINS CONFIDENTIAL TECHNICAL DATA, INCLUDING TRADE SECRETS, PROPRIETARY TO TIMES MICROWAVE SYSTEMS. DISCLOSURE OF THIS DATA IS EXPRESSLY CONDITIONED UPON YOUR ASSENT THAT ITS USE IS LIMITED TO USE WITHIN YOUR COMPANY ONLY. ANY OTHER USE IS STRICTLY PROHIBITED WITHOUT THE PRIOR WRITTEN CONSENT OF TIMES MICROWAVE SYSTEMS.

| SYM | REVISION DESCRIPTION | DFTM | DATE | APPD | DATE |
|-----|-------------------------|----------|---------|----------|---------|
| A | RELEASED FOR PRODUCTION | N. N. N | 7/6/15 | J. D. B. | 7/7/15 |
| B | CHANGED PER CDC #48617 | D. J. H. | 3/12/18 | D. A. R. | 3/14/18 |



- REMARKS:
 1. CRIMPED FERRULE HEX. CRIMP SIZE .429"
 2. CONTACT PIN TO SOLDER

| ELECTRICAL CHARACTERISTICS | |
|---------------------------------|---|
| Impedance | 50 Ω |
| Voltage rating | 500V(rms) |
| Frequency range | 0~4GHz |
| Dielectric withstanding voltage | 1000V |
| Contact resistance | Center contact ≤ 3mΩ Outer contact ≤ 2mΩ |
| Insulation resistance | ≥ 5000MΩ |
| Insertion loss | According as the cable |
| RF-leakage | N/A |
| VSWR | 1.25 MAX(0-2.5GHz) |
| 3rd Intermodulation | N/A |

| MATERIALS AND PLATING | | UNIT: MICRO-INCHES |
|-----------------------|--------------------|-----------------------------|
| BODY | BRASS C3604 | NICKEL 200u" / COPPER |
| CONTACT PIN | BRASS C3604 | GOLD 30u" / NICKEL / COPPER |
| INSULATOR | TEFLON MIL-P-19468 | NATURAL |
| FERRULE | BRASS | NICKEL 200u" / COPPER |

| MECHANICAL CHARACTERISTICS | |
|--------------------------------|--------------|
| Force to engage and disengage | N/A |
| Center contact retention force | N/A |
| Coupling torque | N/A |
| Coupling nut retention force | N/A |
| Durability | ≥ 500 cycles |

| ENVIRONMENTAL CHARACTERISTICS | |
|-------------------------------|---------------------------------|
| Temperature range | -55°C - +125°C |
| Vibration | MIL-STD-202, Method 202, Cond D |
| Shock | MIL-STD-202, Method 202 |
| Corrosion | MIL-STD-202, Method 101, Cond B |

| | | | | | | | |
|--------------------|--|----------------------|--|-------------|--------------|-------------|-------|
| MATL: SEE ABOVE | UNLESS OTHERWISE SPECIFIED | DFTM. N. N. N | TIMES MICROWAVE SYSTEMS | | | | |
| | ALL DIMENSIONS ARE IN mm | DATE 7/6/15 | | | | | |
| USED ON: 0-2 | UNLESS OTHERWISE SPECIFIED: 1) EDGES C0.15 MAX; 2) REMOVE ALL BURRS; 3) SURFACE ROUGHNESS Ra1.6; 4) UNITS mm; 5) DIMENSIONS TOLERANCES DECIMALS ANGLES .x ±0.3 ±5° .xx ±0.2 | CHKD. J. D. B. | TC-400-TF-RP Reverse Polarity TNC F for LMR-400 | | | | |
| | | DATE 7/7/15 | | | | | |
| | | APPD. J. D. B. | | | | | |
| SCALE: ~ | DWG. SIZE A | DO NOT SCALE DRAWING | CODE IDENT 68999 | DATE 7/7/15 | SHEET 1 of 1 | SD3190-1063 | REV B |