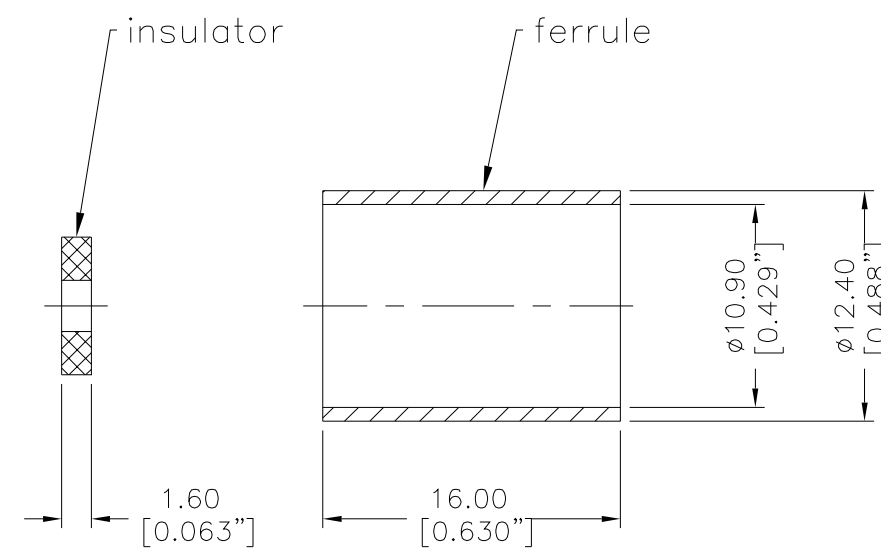
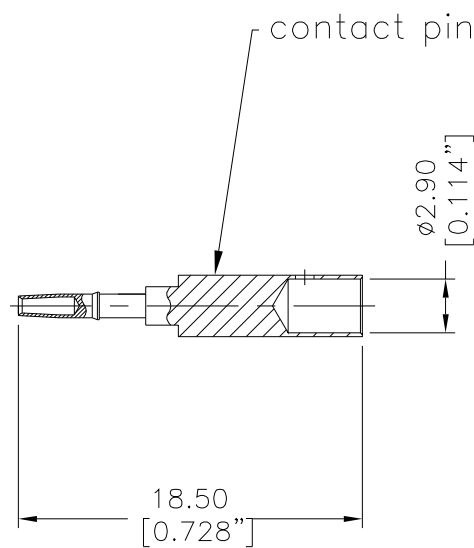
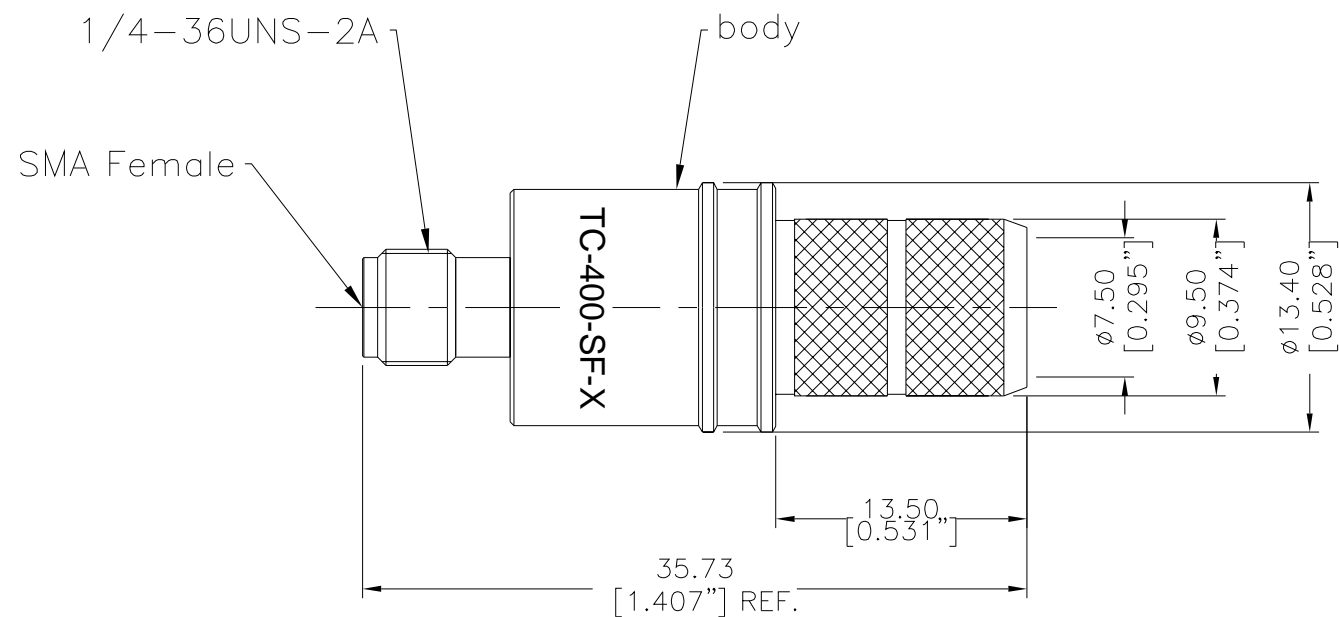


NOTICE OF PROPRIETARY RIGHTS THIS DOCUMENT CONTAINS CONFIDENTIAL DATA, INCLUDING TRADE SECRETS, PROPRIETARY TO TIMES MICROWAVE SYSTEMS. DISCLOSURE OF THIS DATA IS EXPRESSLY CONDITIONED UPON YOUR ASSENT THAT ITS USE IS LIMITED TO USE WITH YOUR COMPANY ONLY. ANY OTHER USE IS STRICTLY PROHIBITED WITHOUT THE PRIOR WRITTEN CONSENT OF TIMES MICROWAVE SYSTEMS.

| SYM | REVISION DESCRIPTION | DFTM | DATE | APPD | APPD |
|-----|-----------------------------|--------|------------|--------|------------|
| A | RELEASED FOR PRODUCTION | Joslen | 2015/05/18 | TZ | 2015/05/18 |
| A1 | Modify contact pin material | Monica | 2018/02/26 | TZ | 2018/02/26 |
| B | Changed design to -X rules | Monica | 2018/05/23 | Joslen | 2018/05/23 |



I. MATERIALS & FINISHES

| Components | Materials | Finishes | Thk. (μ") |
|--------------|------------------|----------|-----------|
| Body | Brass | Albaloy | 80 |
| Center Cont. | Beryllium Copper | Gold | 50 |
| Ferrule | Brass | Albaloy | 80 |
| Insulator | PTFE | -- | -- |

II. ELECTRICAL PROPERTIES

| | |
|--------------------------------------|-------------|
| Impedance (Ω): | 50 |
| Frequency Range (GHz): | DC to 6 GHz |
| Dielectric withstanding voltage (V): | 1000 |
| Insulation Resistance (MΩ): | ≥5000 |
| VSWR: | ≤1.30 |
| Insertion Loss(dB, f/GHz): | -0.05x√f |

III. ENVIRONMENT PROPERTIES

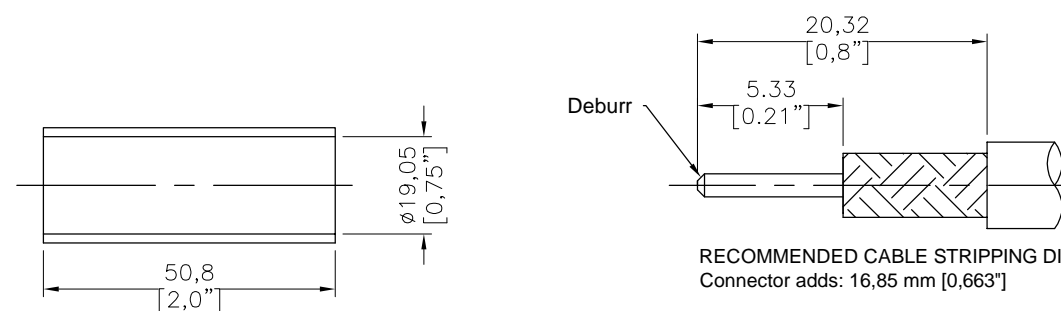
| | |
|--------------------|--------------------------------|
| Temperature Range: | -40°C~+125°C |
| Thermal Shock: | MIL-STD 202G, Meth.107, Cond.B |
| Vibration: | MIL-STD 202G, Meth.204, Cond.B |
| Shock: | MIL-STD 202G, Meth.213, Cond I |
| Climatic Class: | IEC 60068 55/155/56 |
| (2002/95/EC)RoHS: | Compliant |

IV. MECHANICAL PROPERTIES

| | |
|------------------------------------|---------------------|
| Center Cont.: | Solder |
| Outer Cont.: | Crimp |
| Coupling Nut Torque (N.m): | N/A |
| Cbl-Connector Retention Force (N): | 500 |
| Durability (cycles): | 500 |
| Climatic Class: | IEC 60068 55/155/56 |

V. TOOLING

Stripping Tool: 3192-004/CST-400
Crimping Tool: 3190-666/CT-400/300



Shrink Tube (3/4"x2,0" 3:1)

RECOMMENDED CABLE STRIPPING DIM'S
Connector adds: 16,85 mm [0,663"]

Compatible with Standard: IEC 60169-15

| | | | |
|----------------------|---|------------------|--|
| MATL: | UNLESS OTHERWISE SPECIFIED | DFTM: Patrick | |
| USED ON: O | ALL DIMENSIONS ARE IN mm MACHINED SURFACES FINISH 1.6 RMS MAX. REMOVE ALL BURRS 0.15X45° MAX. BREAK MACHINE CORNERS 0.15X45° D MAX. FILLET R. TOLERANCES ON DECIMALS .X ±0.3 .XX ±0.15 ANGLES ±2° FRACTIONS ± N/A | DATE: 2018/05/23 | |
| SCALE: N/A | | CHKD: Monica | |
| DWG SIZE: A4 | | DATE: 2018/05/23 | |
| DO NOT SCALE DRAWING | CODE ID/FNT: 68999 | APPD: Joslen | TC-400-SF-X SMA Female (Jack) Straight Solder Pin Connector for LMR-400 Cable |
| | | DATE: 2018/05/23 | |