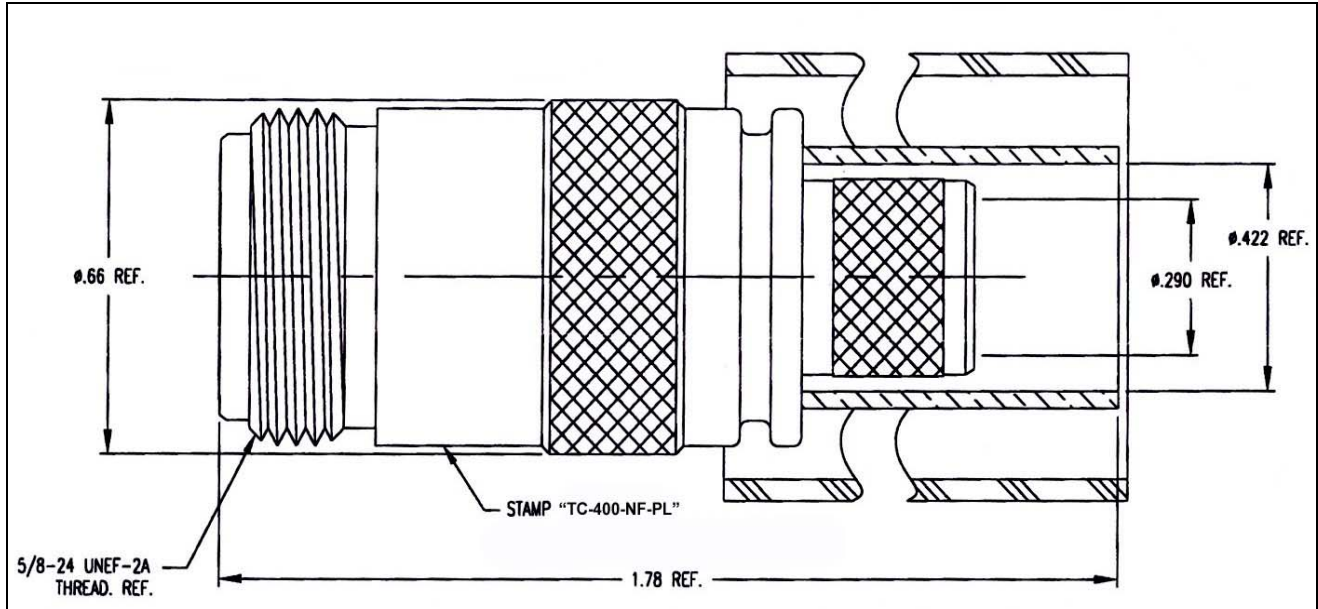


| LTR | DESCRIPTION | DATE | BY |
|-----|-------------|---------|-----|
| - | Released | 3/14/00 | JCL |
| | | | |



I. MATERIALS & FINISHES

- center contact: Gold Plated Beryllium Copper
- outer contact: Nickel Plated Brass
- body: Nickel Plated Brass
- crimp sleeve: Nickel Plated Copper
- dielectric: Teflon® PTFE
- gasket: Silicone Rubber
- shrink sleeve: Adhesive Lined Polyolefin
- crimp size: .429" hex

II. ELECTRICAL PROPERTIES

- impedance: 50 ohms
- working voltage: 1000 vrms (max)
- vswr: 1.25:1 (max) up to 3 GHz
- insertion loss: 0.1 x √Fghz

Unless otherwise specified, dimensions are in inches. Tolerances are applicable when specified.

These drawings and specifications contain proprietary information which is the property of Times Microwave Systems.

| Approvals | | |
|-----------|-----|---------|
| Drawn | JCL | 3/14/00 |
| | | |
| | | |
| | | |

TIMES MICROWAVE SYSTEMS
 Wallingford, CT 06492
 (203) 949-8400; (203) 949-8423.Fax
 www.timesmicrowave.com

TC-400-NF-PL
 Type-N Female (jack)
 for LMR-400-LLPL Cable

| | | |
|-----------|---------------------------|---------------------------------|
| Size A | CAGE CODE 68999 | Drawing No.: 3190-964 |
| Scale: NA | Rev. (-) | Sheet: 1 of 1 |