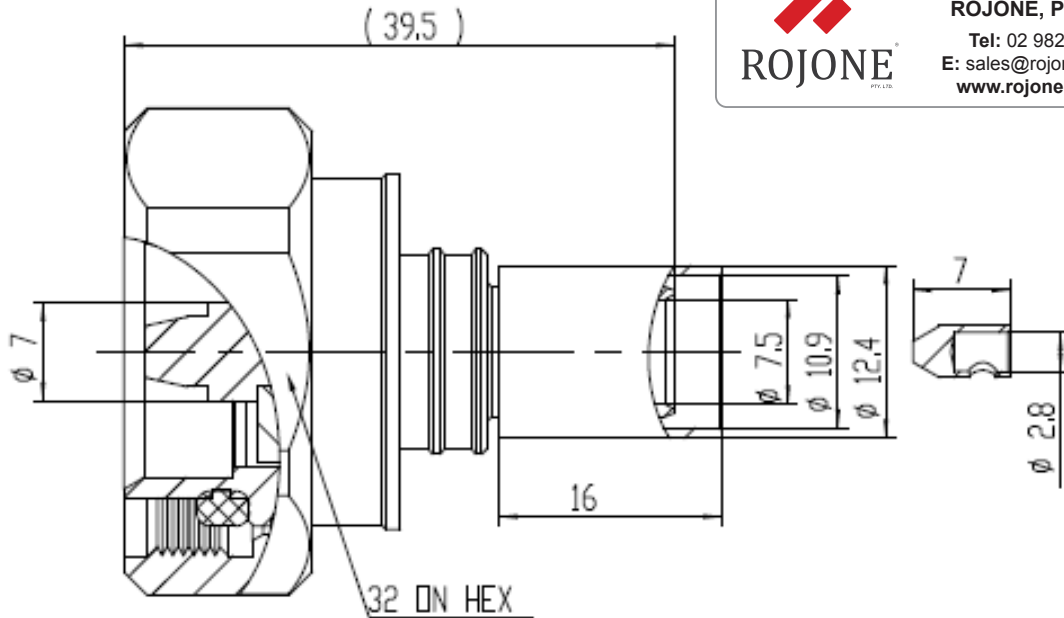


NOTICE OF PROPRIETARY RIGHTS THIS DOCUMENT CONTAINS CONFIDENTIAL TECHNICAL DATA, INCLUDING TRADE SECRETS, PROPRIETARY TO TIMES MICROWAVE SYSTEMS. DISCLOSURE OF THIS DATA IS EXPRESSLY CONDITIONED UPON YOUR ASSENT THAT ITS USE IS LIMITED TO USE WITHIN YOUR COMPANY ONLY. ANY OTHER USE IS STRICTLY PROHIBITED WITHOUT THE PRIOR WRITTEN CONSENT OF TIMES MICROWAVE SYSTEMS.

| SYM | REVISION DESCRIPTION | DFTM | DATE | APPD | DATE |
|-----|-------------------------|--------|----------|--------|----------|
| A | RELEASED FOR PRODUCTION | K.A.M. | 10/13/10 | J.D.B. | 10/18/10 |
| B | CHANGED PER CDC #37110 | N.N.N | 2/21/13 | J.D.B | 2/21/13 |
| C | CHANGED PER CDC #42268 | N.N.N | 5/21/15 | J.D.B | 5/27/15 |


Australian Representatives
ROJONE, PTY LTD.
 Tel: 02 9829 1555
 E: sales@rojone.com.au
 www.rojone.com.au



REFERENCE STANDARD IEC61169-4

1. ELECTRIC PERFORMANCE

| | |
|------------------------------------|---|
| NOMINAL IMPEDANCE(Ω) | 50 |
| FREQUENCY RANGE | DC-6GHz |
| VSWR | ≤ 1.30 |
| INSERT LOSS | $\leq 0.05(0-3G)$ |
| INSULATION RESISTANCE(M Ω) | ≥ 10000 |
| PROOF VOLTAGE(V) | 2500 |
| CONTACT RESISTANCE(m Ω) | OUTER CONDUCTOR <0.2 INNER CONDUCTOR<0.8 |

2. MECHANICAL PERFORMANCE

| | |
|--------------------------------|-------|
| NUT TORQUE | 25N.m |
| (NUT)WHORL PULL | 1000N |
| TENSILE FORCE(CABLE-CONNECTOR) | 400N |
| TORSION(CABLE-CONNECTOR) | 2N.m |

3. MATERIAL AND PLATING

| | | |
|-----------------|-----------------|--------------------------|
| INNER CONDUCTOR | SPRING COPPER | Ag5 μ m |
| OUTER CONDUCTOR | BRASS | COPPER-TIN-ZINC2 μ m |
| NUT | BRASS | COPPER-TIN-ZINC2 μ m |
| FERRULE | COPPER | COPPER-TIN-ZINC2 μ m |
| INSULATOR | PTFE | |
| O-RING | SILICONE RUBBER | |

4. ENVIRONMENT

| | |
|------------------------|-----------------------------------|
| TEMP.RANGE | -40 $^{\circ}$ C~+85 $^{\circ}$ C |
| WEATHER STANDARD | IEC 60068 40 / 085/ 21 |
| THERMAL SHOCK | IEC 60068 -2-14-Na |
| VIBRATION | IEC 60068-2-6-Fc |
| SHOCK | IEC 60068-2-27 |
| WATERPROOFING STANDARD | IP67 |
| ROHS COMPLIANT | |

5.ASSEMBLY: INNER CONDUCTOR INSTALLED AND OUTER CONDUCTOR CRIMPED

| | | | | | | | |
|-----------|--|----------------------|------------------|---|--------------|-------------|-------|
| MATERIAL: | UNLESS OTHERWISE SPECIFIED | | DFTM. K. A. M. | TIMES MICROWAVE SYSTEMS | | | |
| | ALL DIMENSIONS ARE IN mm | | DATE 10/13/10 | | | | |
| USED ON: | TOLERANCES: .X = ± 0.2 .XX = ± 0.1 | | CHKD. J. D. B. | CONNECTOR, TC-400-716M-X 7/16 MALE FOR LMR400 CABLE | | | |
| | | | DATE 10/18/10 | | | | |
| | | | APPD. J. D. B. | | | | |
| SCALE: ~ | DWG. SIZE A | DO NOT SCALE DRAWING | CODE IDENT 68999 | DATE 10/18/10 | SHEET 1 of 1 | SD3190-2597 | REV C |