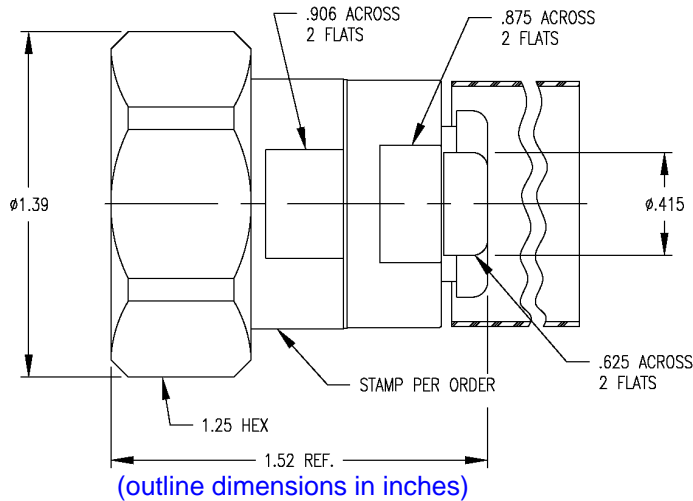


THE REVISION STATUS OF ALL SHEETS OF THIS DRAWING IS THE SAME AS SHEET 1

LTR	DESCRIPTION	DATE	BY
-	Released	3/4/96	JCL
A	Redrawn; added interface details	3/30/06	JCL

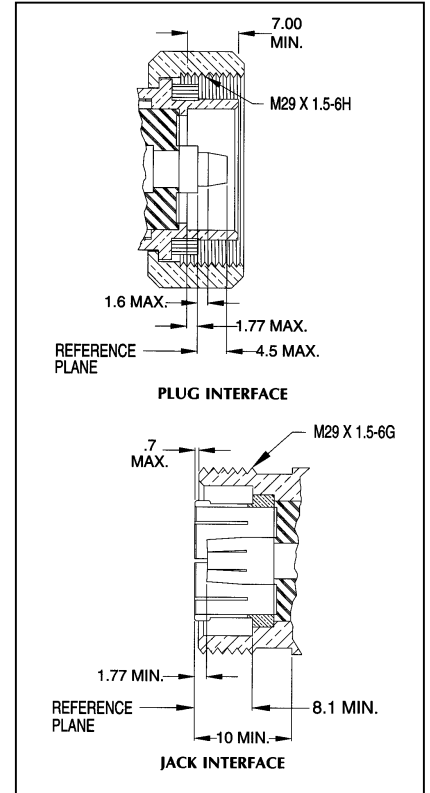


I. MATERIALS & FINISHES

- center contact: Silver Plated Brass
- outer contact: Silver Plated Brass
- coupling nut: Silver Plated Brass
- body: Silver Plated Brass
- backnut: Silver Plated Copper
- dielectric: Teflon® PTFE
- gaskets: Silicone Rubber
- attachment: braid clamp

II. ELECTRICAL PROPERTIES

- impedance: 50 ohms
- working voltage: 1000 vrms (max)
- vswr: 1.25:1 (max) up to 2 GHz
- insertion loss: 0.10 x √Fghz
- working voltage: 2700 vrms (sea level)




Australian Representatives
ROJONE, PTY LTD.
 Tel: 02 9829 1555
 E: sales@rojone.com.au
 www.rojone.com.au

Unless otherwise specified, dimensions are in inches. Tolerances are applicable when specified.

These drawings and specifications contain proprietary information which is the property of Times Microwave Systems.

Approvals		
Drawn	JCL	3/4/96


TIMES MICROWAVE SYSTEMS
 Wallingford, CT 06492
 (203) 949-8400; (203) 949-8423.Fax
 www.timesmicrowave.com

TC-400-716MC
 Type-716 DIN male (plug) for LMR-400 Cable

Size A	CAGE CODE 68999	Drawing No.: 3190-279
Scale: NA	Rev. (A)	Sheet: 1 of 1