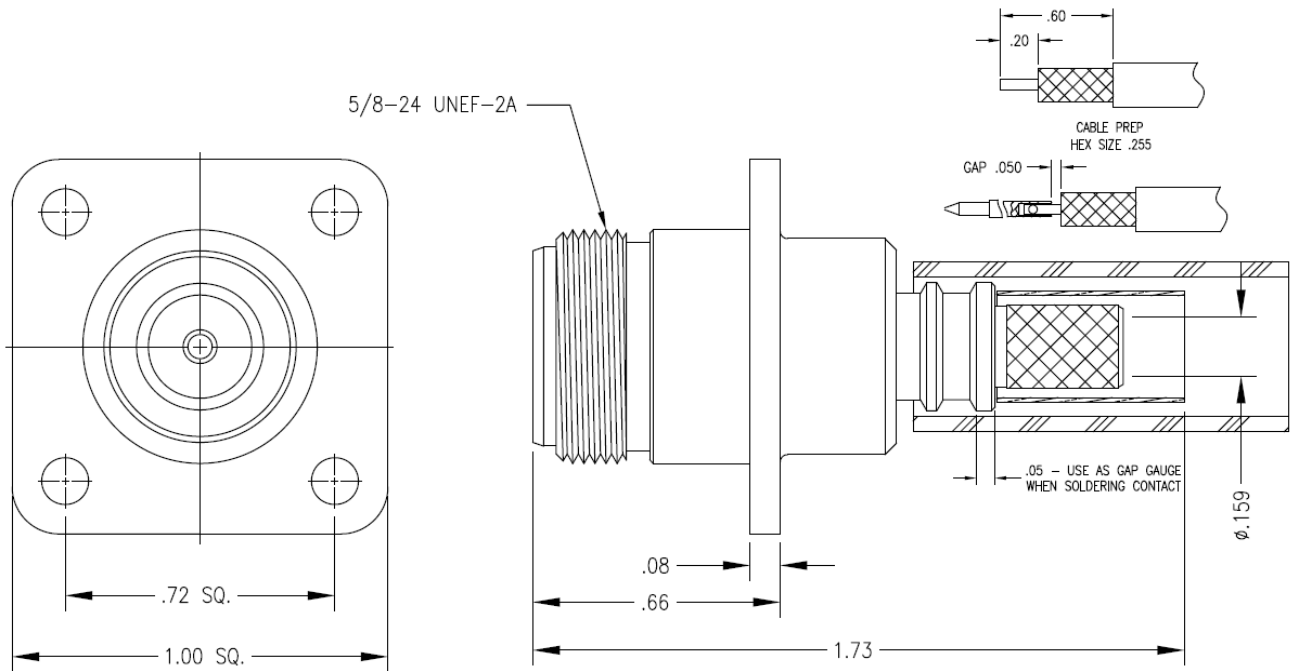


**NOTICE OF PROPRIETARY RIGHTS** THIS DOCUMENT CONTAINS CONFIDENTIAL TECHNICAL DATA, INCLUDING TRADE SECRETS, PROPRIETARY TO TIMES MICROWAVE SYSTEMS. DISCLOSURE OF THIS DATA IS EXPRESSLY CONDITIONED UPON YOUR ASSENT THAT ITS USE IS LIMITED TO USE WITHIN YOUR COMPANY ONLY. ANY OTHER USE IS STRICTLY PROHIBITED WITHOUT THE PRIOR WRITTEN CONSENT OF TIMES MICROWAVE SYSTEMS.

SYM	REVISION DESCRIPTION	DFTM	DATE	APPD	DATE
A	RELEASED FOR PRODUCTION	N. N. N	2/6/14	J. D. B.	2/6/14



BODY	CONTACT
ALBALOY	GOLD/NI

1.0 PERFORMANCE

- 1.1 FREQUENCY RANGE: DC-6 GHz
- 1.2 NOMINAL IMPEDANCE: 50 OHMS
- 1.3 DWV: 750 VRMS @ 60 Hz (SEA LEVEL)
- 1.4 TEMPERATURE RANGE: -65°C TO +165°C

2.0 MATERIALS

- 2.1 DIELECTRIC: PTFE
- 2.2 CONTACTS: BERYLLIUM COPPER & BRASS
- 2.3 CRIMP FERRULE: SOFT COPPER
- 2.4 OTHER METAL PARTS: BRASS
- 2.5 HEAT SHRINK: POLYOLEFIN THICK WALL

3.0 FINISHES: SEE TABLE

4.0 MECHANICAL

- 4.1 INTERFACE PER MIL-STD-348

MATL:	UNLESS OTHERWISE SPECIFIED		DFTM. N. N. N	TIMES MICROWAVE SYSTEMS			
	ALL DIMENSIONS ARE IN INCHES MACHINED SURFACES FINISH N/A RMS MAX. REMOVE ALL BURRS .005 MAX. BREAK MACHINE CORNERS .005 MAX. FILLET R. TOLERANCES ON DECIMALS . XX ± .03 . XXX ± .005 ANGLES ± 1° FRACTIONS ± 1/32		DATE 2/6/14				
USED ON: A			CHKD. J. D. B.	<b>TC-240-NF-PM-X</b> NF Panel Mount FOR LMR-240 CABLE			
			DATE 2/6/14				
SCALE: N/A	DWG. SIZE A	DO NOT SCALE DRAWING	CODE IDENT 68999	DATE 2/6/14	1 of 1	SD3190-2889	REV A