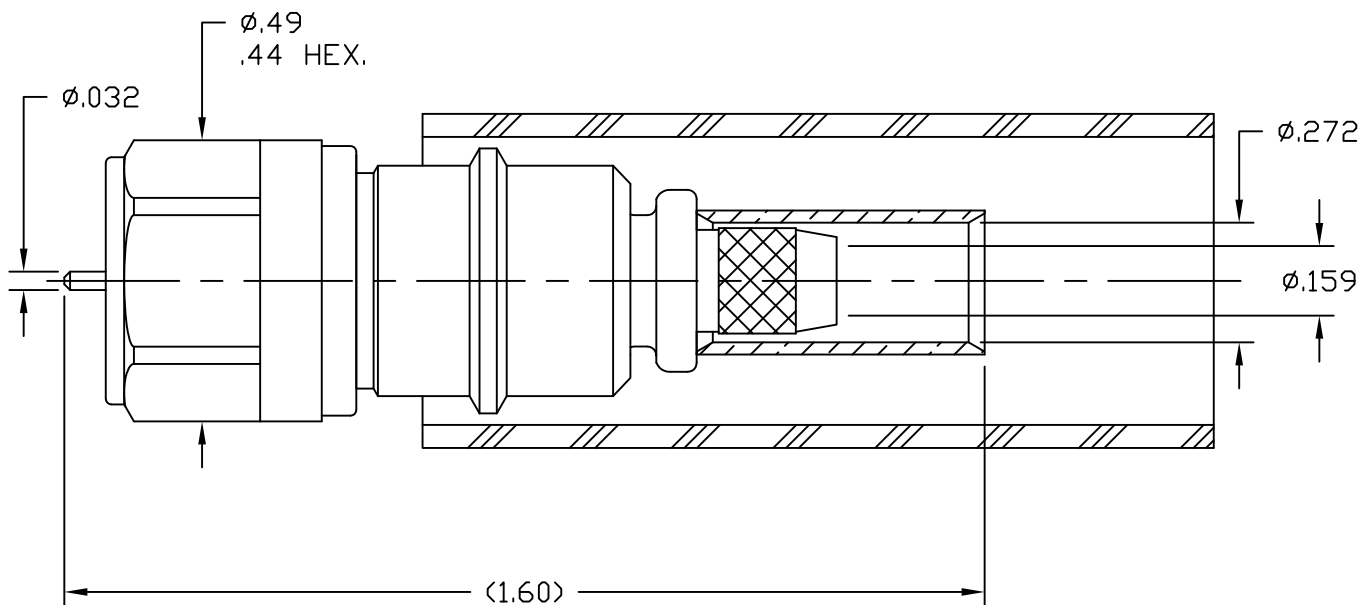


NOTICE OF PROPRIETARY RIGHTS THIS DOCUMENT CONTAINS CONFIDENTIAL TECHNICAL DATA, INCLUDING TRADE SECRETS, PROPRIETARY TO TIMES MICROWAVE SYSTEMS. DISCLOSURE OF THIS DATA IS EXPRESSLY CONDITIONED UPON YOUR ASSENT THAT ITS USE IS LIMITED TO USE WITHIN YOUR COMPANY ONLY. ANY OTHER USE IS STRICTLY PROHIBITED WITHOUT THE PRIOR WRITTEN CONSENT OF TIMES MICROWAVE SYSTEMS.

SYM	REVISION DESCRIPTION	DFTM	DATE	APPD	DATE
-	RELEASED FOR PRODUCTION	J. C. L.	5/2/03	J. C. L.	5/2/03
B	Updated Sketch; Knurl to Hex Nut	J. C. L.	6/30/03	J. C. L.	6/30/03
C	CHANGED PER CDC #30590	D. J. H.	9/1/09	J. D. B.	9/1/09



Australian Representatives
ROJONE, PTY LTD.
 Tel: 02 9829 1555
 E: sales@rojone.com.au
 www.rojone.com.au



BODY	CONTACT
NICKEL	50 GOLD/Cu

- | | |
|--|---|
| <p>1.0 PERFORMANCE</p> <p>1.1 FREQUENCY RANGE: DC-2 GHz</p> <p>1.2 NOMINAL IMPEDANCE: 75 OHMS</p> <p>1.3 DWV: 1000 V RMS @ 60 Hz (sea level)</p> <p>1.4 TEMPERATURE RANGE: -65°C TO +165°C</p> <p>2.0 MATERIALS</p> <p>2.1 DIELECTRIC: PTFE, ASTM-D-1710</p> <p>2.2 CENTER CONTACT: BERYLLIUM COPPER, ASTM-B-196</p> | <p>2.3 CRIMP FERRULE: DHP SOFT COPPER, CDA 122, SOFT TEMPER</p> <p>2.4 LOCKING RING: PHOSPHOR BRONZE, ASTM-B-159</p> <p>2.5 OTHER METAL PARTS: BRASS PER ASTM-B-16</p> <p>2.6 GASKET: SILICON RUBBER, ZZ-R-765, GR. 50, RED</p> <p>2.7 SHRINK SLEEVE: THICK WALL POLYOLEFIN, MIL-I-23053/4, CLASS 3</p> <p>3.0 FINISHES: SEE TABLE</p> <p>4.0 MECHANICAL</p> <p>4.1 INTERFACE: IN ACCORDANCE WITH: EIA STANDARD 550</p> |
|--|---|

MATERIAL:	UNLESS OTHERWISE SPECIFIED ALL DIMENSIONS ARE IN INCHES MACHINED SURFACES FINISH N/A RMS MAX. REMOVE ALL BURRS .005 MAX. BREAK MACHINE CORNERS .005 MAX. FILLET R. TOLERANCES ON DECIMALS .XX ± .03 .XXX ± .005 ANGLES ± 1° FRACTIONS ± 1/32	DFTM. J. C. L.	TIMES MICROWAVE SYSTEMS
		DATE 5/2/03	
USED ON: E		CHKD. J. C. L.	TC-240-FMH-75 TYPE F MALE, STRAIGHT PLUG FOR LMR-240-75 CABLE
		DATE 5/2/03	
SCALE: N/A	DWG. SIZE A	APPD. J. C. L.	SHEET 1 of 1
		DATE 5/2/03	
DO NOT SCALE DRAWING	CODE IDENT 68999	DATE 5/2/03	REV C