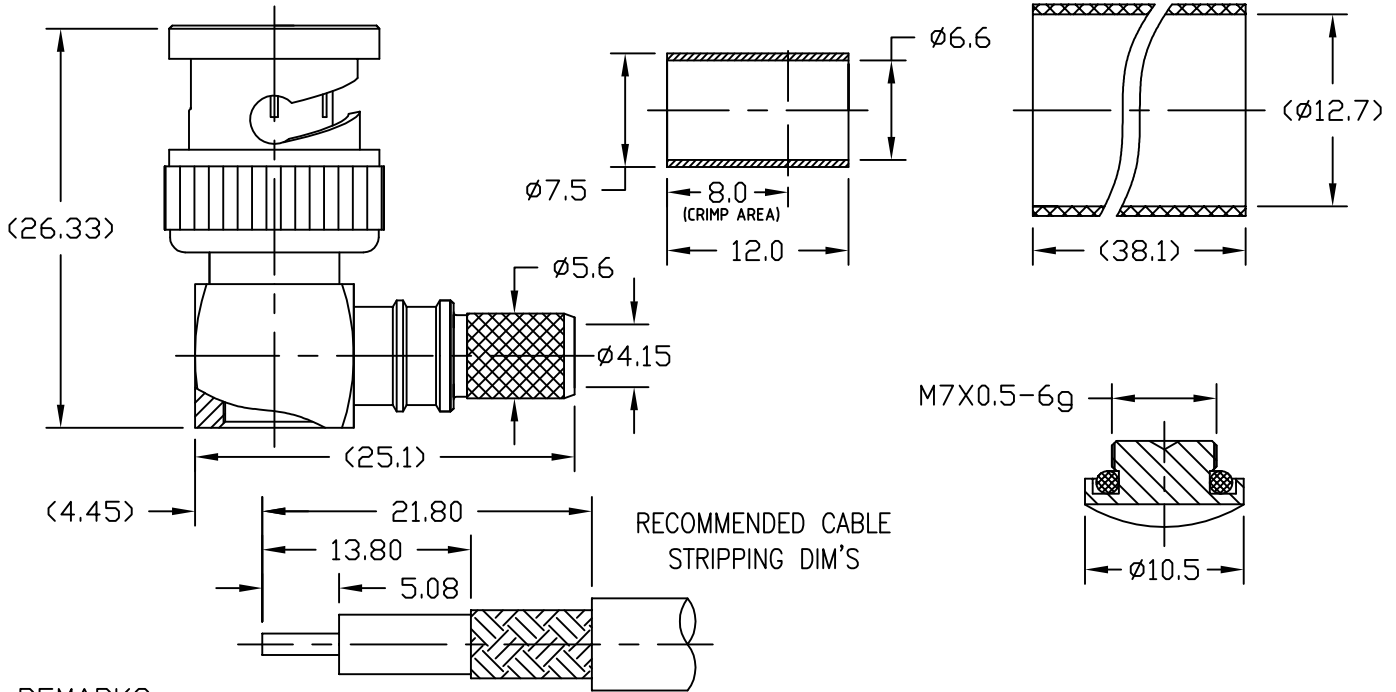


**NOTICE OF PROPRIETARY RIGHTS** THIS DOCUMENT CONTAINS CONFIDENTIAL TECHNICAL DATA, INCLUDING TRADE SECRETS, PROPRIETARY TO TIMES MICROWAVE SYSTEMS. DISCLOSURE OF THIS DATA IS EXPRESSLY CONDITIONED UPON YOUR ASSENT THAT ITS USE IS LIMITED TO USE WITHIN YOUR COMPANY ONLY. ANY OTHER USE IS STRICTLY PROHIBITED WITHOUT THE PRIOR WRITTEN CONSENT OF TIMES MICROWAVE SYSTEMS.

SYM	REVISION DESCRIPTION	DFTM	DATE	APPD	DATE
A	RELEASED FOR PRODUCTION	N. N. N	6/13/13	J. D. B.	6/26/13
B	CHANGED PER CDC #38712	N. N. N	10/23/13	J. D. B.	10/24/14
C	CHANGED PER CDC #39366	N. N. N	2/26/14	J. D. B.	2/27/14
D	CHANGED PER CDC #39406	N. N. N	3/4/14	J. D. B.	3/12/14
E	CHANGED PER CDC #48617	D. J. H.	3/12/18	D. A. R.	3/14/18



**REMARKS:**

- CONTACT PIN IS SOLDERED.
- CRIMP FERRULE HEX. SIZE: .255"

MATERIALS AND PLATING		UNIT: MICRO-INCHES
BODY	BRASS C3604	ALBALOY 80u"/COPPER
CONTACT PIN	BRASS C3604	GOLD 50u"/MIN/NICKEL/COPPER
INSULATOR	PTFE ASTM-D-1710	N/A
FERRULE	BRASS	ALBALOY 80u"/COPPER

MECHANICAL CHARACTERISTICS	
Cable retention force	N/A
Center contact retention force	>6 lbs
Coupling proof torque	N/A
Coupling nut retention force	>100 lbs
Durability	≥ 500 cycles

ELECTRICAL CHARACTERISTICS		
Impedance	50 Ω	
Voltage rating	500 V(rms)	
Frequency range	0 ~ 6 GHz	
Dielectric withstanding voltage	>1500 V	
Contact resistance	Center contact	<1.5 mΩ
	Outer contact	<0.2 mΩ
Insulation resistance	>5000 MΩ	
Insertion loss	N/A	
RF- leakage	N/A	
VSWR	<1.35	
3rd Intermodulation	N/A	

ENVIRONMENTAL CHARACTERISTICS	
Temperature range	-65°C~+165°C

MATL: SEE ABOVE	UNLESS OTHERWISE SPECIFIED		DFTM. N. N. N	TIMES MICROWAVE SYSTEMS
	ALL DIMENSIONS ARE IN mm		DATE 6/13/13	
USED ON:	UNLESS OTHERWISE SPECIFIED:		CHKD. J. D. B.	<b>TC-240-BM-RA-D</b> 90° BNCM for LMR-240
	1) EDGES C0.15 MAX;		DATE 6/26/13	
	2) REMOVE ALL BURRS;		APPD. J. D. B.	
SCALE: ~	DWG. SIZE A	DO NOT SCALE DRAWING	CODE IDENT 68999	DATE 6/26/13
			SHEET 1 of 1	SD3190-2869
			REV E	