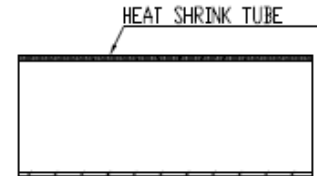
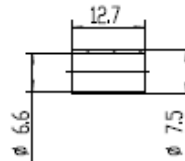
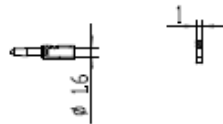
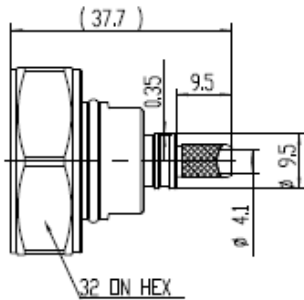
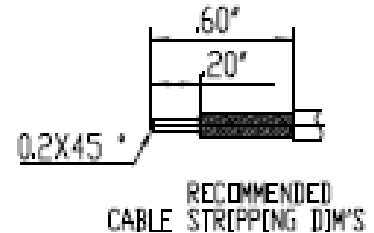


**NOTICE OF PROPRIETARY RIGHTS** THIS DOCUMENT CONTAINS CONFIDENTIAL TECHNICAL DATA, INCLUDING TRADE SECRETS, PROPRIETARY TO TIMES MICROWAVE SYSTEMS. DISCLOSURE OF THIS DATA IS EXPRESSLY CONDITIONED UPON YOUR ASSENT THAT ITS USE IS LIMITED TO USE WITHIN YOUR COMPANY ONLY. ANY OTHER USE IS STRICTLY PROHIBITED WITHOUT THE PRIOR WRITTEN CONSENT OF TIMES MICROWAVE SYSTEMS.

SYM	REVISION DESCRIPTION	DFTM	DATE	APPD	DATE
A	RELEASED FOR PRODUCTION	N. N. N	1/9/14	J. D. B.	1/10/14
B	CHANGED PER CDC #46350	N. N. N	4/20/17	J. D. B.	4/21/17



CONNECTOR ADDS: 21.9mm



RECOMMENDED CABLE STRIPPING DIM'S



**Australian Representatives**  
**ROJONE, PTY LTD.**

Tel: 02 9829 1555  
E: sales@rojone.com.au  
www.rojone.com.au

REFERENCE STANDARD IEC61169-4

1. ELECTRIC PERFORMANCE  
 NOMINAL IMPEDANCE(Ω) 50  
 FREQUENCY RANGE DC-6GHz  
 VSWR ≤1.15(DC-3GHz)  
 INSERT LOSS(dB) ≤1.30(3-6GHz)  
 INSULATION RESISTANCE(MΩ) ≤ 0.1  
 PROOF VOLTAGE(V) ≥10000  
 CONTACT RESISTANCE(mΩ) 1500

2. MECHANICAL PERFORMANCE  
 NUT TORQUE 5N.m  
 (NUT)WHORL PULL 500N  
 TENSILE FORCE(CABLE-CONNECTOR) 150N  
 TORSION(CABLE-CONNECTOR) 0.3N.m

3. MATERIAL AND PLATING  
 INNER CONDUCTOR SPRING COPPER Ag5μm  
 OUTER CONDUCTOR BRASS COPPER-TIN-ZINC2μm  
 NUT BRASS Ni5μm  
 FERRULE COPPER COPPER-TIN-ZINC2μm  
 INSULATOR PTFE  
 O-RING SILICONE RUBBER

4. ENVIRONMENT  
 TEMP.RANGE -40°C~+85°C  
 WEATHER STANDARD IEC 60068 40 / 085/ 21  
 THERMAL SHOCK IEC 60068 -2-14-Na  
 VIBRATION IEC 60068-2-6-Fc  
 SHOCK IEC 60068-2-27  
 WATERPROOFING STANDARD IP67  
 ROHS COMPLIANT

5.ASSEMBLY: INNER CONDUCTOR SOLDERED AND OUTER CONDUCTOR CRIMPED

MATERIAL:	UNLESS OTHERWISE SPECIFIED		DFTM: N. N. N	TIMES MICROWAVE SYSTEMS			
	ALL DIMENSIONS ARE IN mm		DATE: 1/9/14				
USED ON: 0-0			CHKD: J. D. B.	<b>TC-240-716M-X</b> CONNECTOR, 7-16 Male for LMR-240			
			DATE: 1/10/14				
			APPD: J. D. B.				
SCALE: ~	DWG. SIZE: A	DO NOT SCALE DRAWING	CODE IDENT: 68999	DATE: 1/10/14	SHEET: 1 of 1	SD3190-2982	REV: B