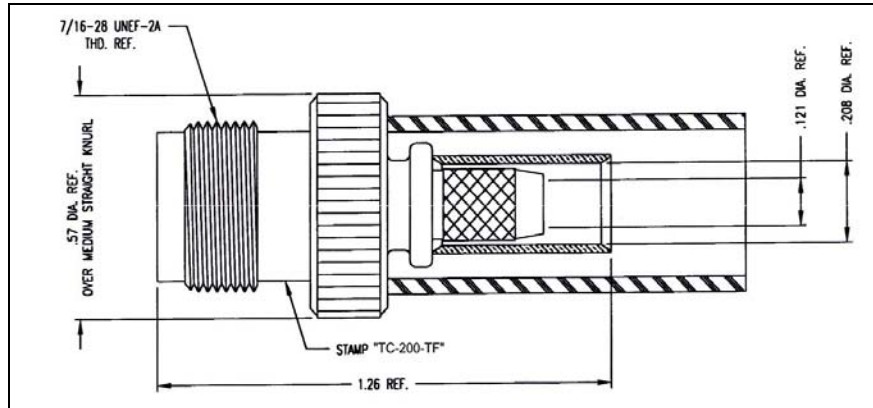


THE REVISION STATUS OF ALL SHEETS OF THIS DRAWING IS THE SAME AS SHEET 1

LTR	DESCRIPTION	DATE	BY
-	Released	3/4/96	JCL



I. MATERIALS & FINISHES

center contact: Gold Plated Beryllium Copper
 outer contact: Nickel Plated Brass
 body: Nickel Plated Brass
 crimp sleeve: Nickel Plated Copper
 dielectric: Teflon® PTFE
 shrink sleeve: Adhesive Lined Polyolefin
 attachment: .213" hex crimp

II. ELECTRICAL PROPERTIES


impedance: 50 ohms
 working voltage: 500 vrms (max)
 vswr: 1.25:1 (max) up to 3 GHz
 insertion loss: $0.1 \times \sqrt{F_{ghz}}$

Australian Representatives
ROJONE, PTY LTD.
 Tel: 02 9829 1555
 E: sales@rojone.com.au
 www.rojone.com.au

Unless otherwise specified, dimensions are in inches. Tolerances are applicable when specified.

These drawings and specifications contain proprietary information which is the property of Times Microwave Systems.

Approvals		
Drawn	JCL	3/4/96
Check		
Prj. Mgr.		
Prd. Mgr.		
QA Mgr.		



TIMES MICROWAVE SYSTEMS

Wallingford, CT 06492
 (203) 949-8400; (203) 949-8423.Fax
 www.timesmicrowave.com

TC-200-TF

TNC Female (jack)
 for LMR-200 Cable

Size A	CAGE CODE 68999	Drawing No.: 3190-263
Scale: NA	Rev. ()	Sheet: 1 of 1