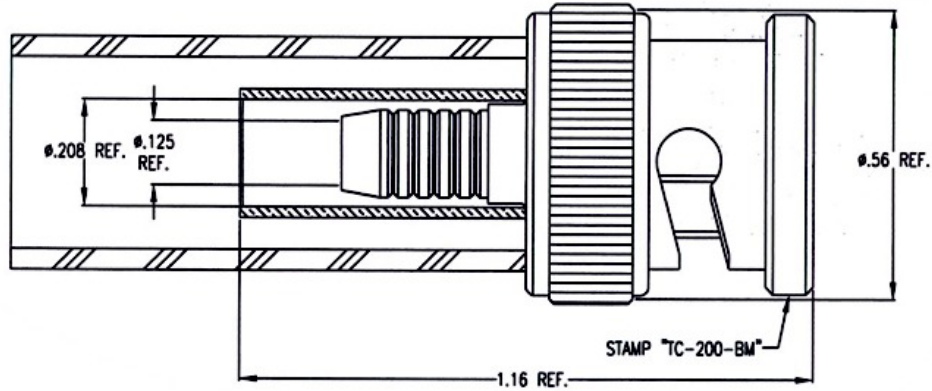


THE REVISION STATUS OF ALL SHEETS OF THIS DRAWING IS THE SAME AS SHEET 1

LTR	DESCRIPTION	DATE	BY
-	Released	6/20/96	JCL



**I. MATERIALS & FINISHES**

- center contact: Gold (30u")Plated Brass
- outer contact: Silver (200 u")Plated Brass
- coupling nut: Silver (200 u")Plated Brass
- body: Silver (200 u")Plated Brass
- crimp sleeve: Silver (200 u")Plated Copper
- dielectric: Teflon® PTFE
- gasket: Silicone Rubber
- shrink sleeve: Adhesive Lined Polyolefin
- attachment: braid crimp (.213"hex)

**II. ELECTRICAL PROPERTIES**

- impedance: 50 ohms
- working voltage: 500 vrms (max)
- vswr: 1.25:1 (max) up to 3 GHz
- insertion loss: 0.10 x √Fghz


**Australian Representatives**  
**ROJONE, PTY LTD.**  
 Tel: 02 9829 1555  
 E: sales@rojone.com.au  
 www.rojone.com.au

Unless otherwise specified, dimensions are in inches. Tolerances are applicable when specified.

These drawings and specifications contain proprietary information which is the property of Times Microwave Systems.

Approvals		
Drawn	JCL	6/20/96


**TIMES MICROWAVE SYSTEMS**  
 Wallingford, CT 06492  
 (203) 949-8400; (203) 949-8423.Fax  
 www.timesmicrowave.com

<b>TC-200-BM</b>		
Type-BNC male (plug) – Solder Pin for LMR-200 Cable		
Size A	CAGE CODE <b>68999</b>	Drawing No.: <b>3190-225</b>
Scale: NA	Rev. (-)	Sheet: 1 of 1