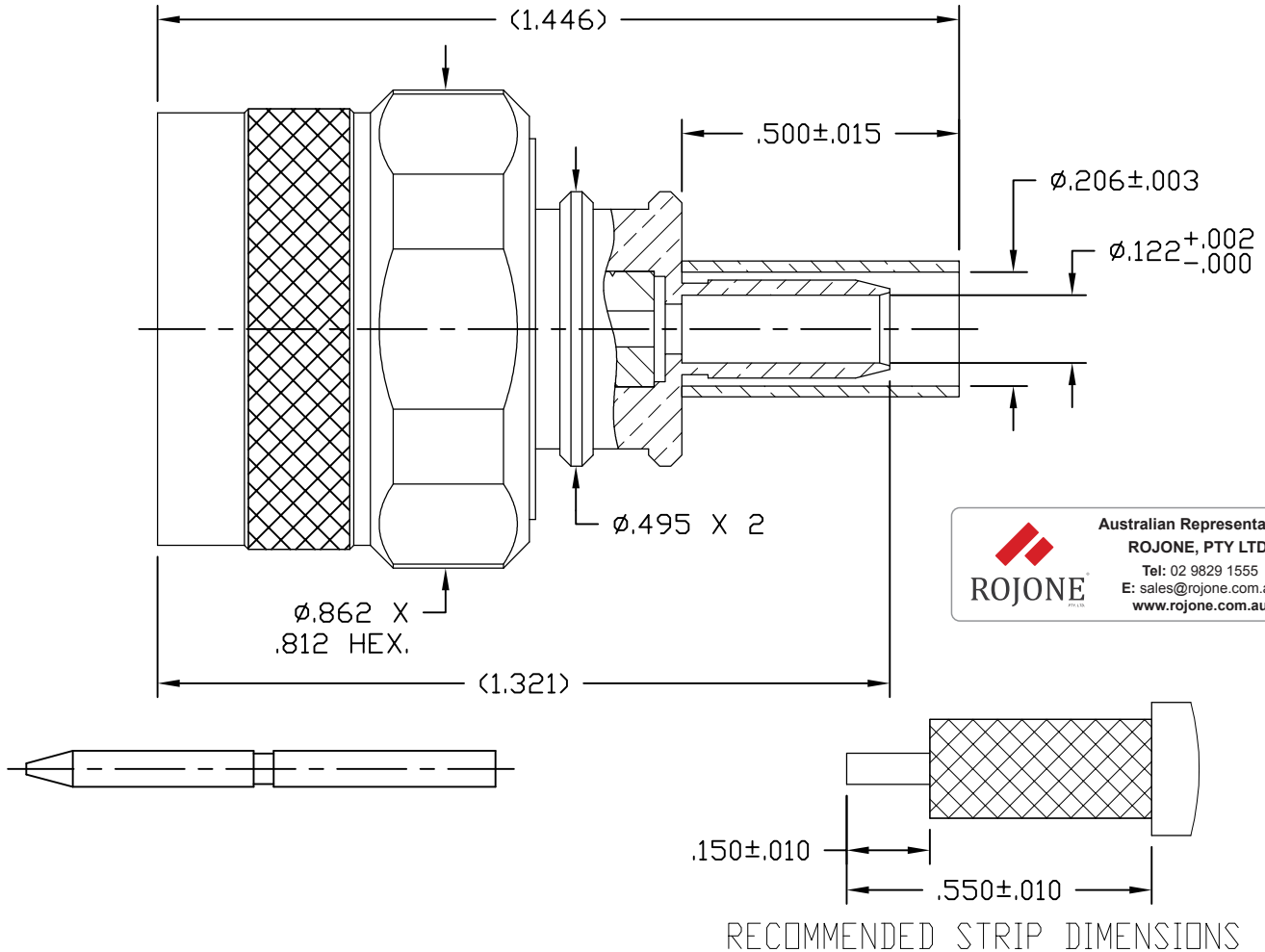


NOTICE OF PROPRIETARY RIGHTS THIS DOCUMENT CONTAINS CONFIDENTIAL TECHNICAL DATA, INCLUDING TRADE SECRETS, PROPRIETARY TO TIMES MICROWAVE SYSTEMS. DISCLOSURE OF THIS DATA IS EXPRESSLY CONDITIONED UPON YOUR ASSENT THAT ITS USE IS LIMITED TO USE WITHIN YOUR COMPANY ONLY. ANY OTHER USE IS STRICTLY PROHIBITED WITHOUT THE PRIOR WRITTEN CONSENT OF TIMES MICROWAVE SYSTEMS.

| SYM | REVISION DESCRIPTION | DFTM | DATE | APPD | DATE |
|-----|-------------------------|----------|----------|----------|----------|
| A | RELEASED FOR PRODUCTION | N. N. N. | 1/15/14 | J. D. B. | 1/15/14 |
| B | CHANGED PER CDC #41149 | D. J. H. | 11/13/14 | J. D. B. | 11/20/14 |



Australian Representatives
ROJONE PTY LTD.
 Tel: 02 9829 1555
 E: sales@rojone.com.au
 www.rojone.com.au

NOTES:

1. INTERFACE IS DESIGNED IN ACCORDANCE WITH MIL-STD-348.

MATERIAL: BODY & CONTACT – BRASS PER ASTM B16, C36000 ALLOY, TEMPER H02.
 INSULATOR – TEFLON PER ASTM D1710, TYPE 1, GRADE 1, CLASS A.
 SHRINK SLEEVE – HEAT SHRINKABLE ATUM PER MIL-I-23053/4 (NOT SHOWN).
 CRIMP SLEEVE – D.H.P. COPPER CDA ALLOY #122, TEMPER HARD.
 GASKET – SILICONE RUBBER PER A-A-59588, 50-75 DUROMETER.
 LOCKING RING – PHOSPHOR BRONZE PER ASTM B139, C54400 ALLOY, CONDITION HD.

2. FINISHES: CONTACT – GOLD PLATE PER ASTM B488.
 CRIMP SLEEVE – SILVER PLATE PER ASTM B700.
 ALL OTHER METAL PARTS – ALBALOY PLATE.

| | | | | | |
|-------------|---|----------------------|----------------|---|--|
| MATL: | UNLESS OTHERWISE SPECIFIED | | DFTM. N. N. N. | TIMES MICROWAVE SYSTEMS | |
| | ALL DIMENSIONS ARE IN INCHES MACHINED SURFACES FINISH N/A RMS MAX. REMOVE ALL BURRS .005 MAX. BREAK MACHINE CORNERS .005 MAX. FILLET R. TOLERANCES ON DECIMALS . XX ± .03 . XXX ± .005 ANGLES ± 1° FRACTIONS ± 1/32 | | DATE 1/15/14 | | |
| USED ON: B | | | CHKD. J. D. B. | TC-195-NMH-X "N" MALE FOR LMR-195 CABLE (SOLDER/CRIMP) | |
| | | | DATE 1/15/14 | | |
| SCALE: NONE | DWG. SIZE A | DO NOT SCALE DRAWING | APPD. J. D. B. | 1 of 1 SD3190-2880 R B | |
| | | | DATE 1/15/14 | | |