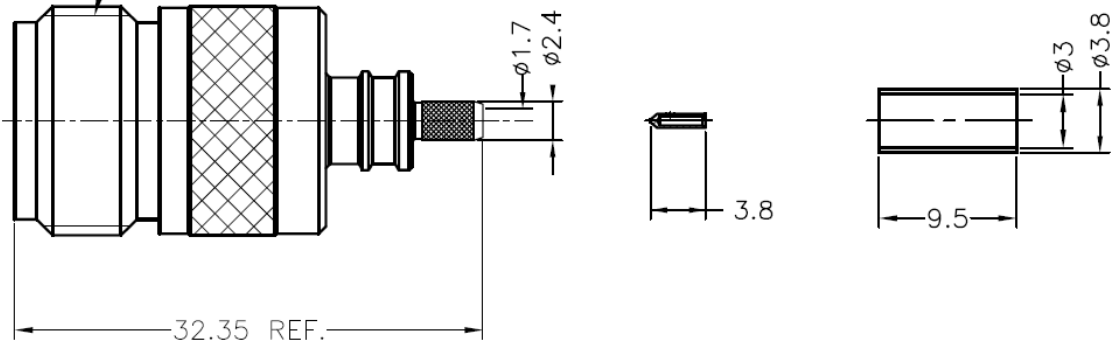


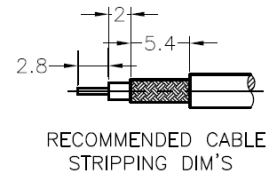
NOTICE OF PROPRIETARY RIGHTS THIS DOCUMENT CONTAINS CONFIDENTIAL TECHNICAL DATA, INCLUDING TRADE SECRETS, PROPRIETARY TO TIMES MICROWAVE SYSTEMS. DISCLOSURE OF THIS DATA IS EXPRESSLY CONDITIONED UPON YOUR ASSENT THAT ITS USE IS LIMITED TO USE WITHIN YOUR COMPANY ONLY. ANY OTHER USE IS STRICTLY PROHIBITED WITHOUT THE PRIOR WRITTEN CONSENT OF TIMES MICROWAVE SYSTEMS.

SYM	REVISION DESCRIPTION	DFTM	DATE	APPD	DATE
A	RELEASED FOR PRODUCTION	N. N. N	4/22/14	J. D. B.	4/24/14
B	CHANGED PER CDC #47089	D. J. H.	6/29/17	J. D. B.	7/6/17

5/8-24UNEF-2A



Australian Representatives
ROJONE, PTY LTD.
 Tel: 02 9829 1555
 E: sales@rojone.com.au
 www.rojone.com.au



NOTES:

1. CENTER PIN IS SOLDERED.
2. FERRULE IS CRIMPED TO .128" HEX.

ALL PARTS SATISFIED ROHS REQUIREMENTS

MATERIALS AND PLATING		UNIT: MICRO-INCHES
BODY	BRASS C3604	NICKEL 100 MIN/COPPER
CONTACT PIN	PHOSPHOR BRONZE C54400	GOLD 15 MIN/NICKEL/COPPER
INSULATOR	TEFLON MIL-P-19468	NATURAL
FERRULE	BRASS	NICKEL 100 MIN/COPPER

ELECTRICAL CHARACTERISTICS	
Impedance	50 Ω
Voltage rating	335V(rms)
Frequency range	0~3GHz
Dielectric withstanding voltage	500V
Contact resistance	Center contact ≤ 1.5mΩ Outer contact ≤ 1 m Ω
Insulation resistance	≥ 5000MΩ
Insertion loss	According as the cable
VSWR	≤ 1.3 (0-3GHz)

(MECHANICAL CHARACTERISTICS)	
Force to engage and disengage	N/A
Center contact retention force	6 lbs MIN.
Recommended coupling torque	15 in-lbs MIN.
Coupling nut retention force	100 lbs MIN.
Durability	≥ 500 cycles

环境参数 (ENVIRONMENTAL CHARACTERISTICS)	
工作温度 (Temperature range)	-55°C - +155°C
Thermal shock	US MIL- STD 202, Meth. 107, Cond. B
Vibration	US MIL- STD 202, Meth. 204, Cond. B
Shock	US MIL- STD 202, Meth. 213, Cond. I
Climatic class	IEC 60068 65/165/21

MATL:	UNLESS OTHERWISE SPECIFIED	DFTM. N. N. N	TIMES MICROWAVE SYSTEMS
	ALL DIMENSIONS ARE IN mm MACHINED SURFACES FINISH 1.6 RMS MAX. REMOVE ALL BURRS 0.15X45° MAX. BREAK MACHINE CORNERS 0.15X45° MAX. FILLET R. TOLERANCES ON DECIMALS .X ± 0.3 .XX ± 0.25 ANGLES ± 0.5 FRACTIONS ± N/A	DATE 4/22/14	
USED ON: -		CHKD. J. D. B.	SC-100-NF N Female for LMR-100A
		DATE 4/24/14	
SCALE: N/A	DWG. SIZE A	APPD. J. D. B.	SHT 1 of 1 SD3190-3030 REV B
	DO NOT SCALE DRAWING	DATE 4/24/14	
	CODE IDENT 68999		