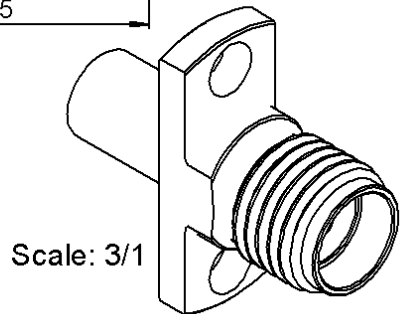
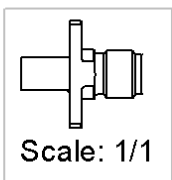
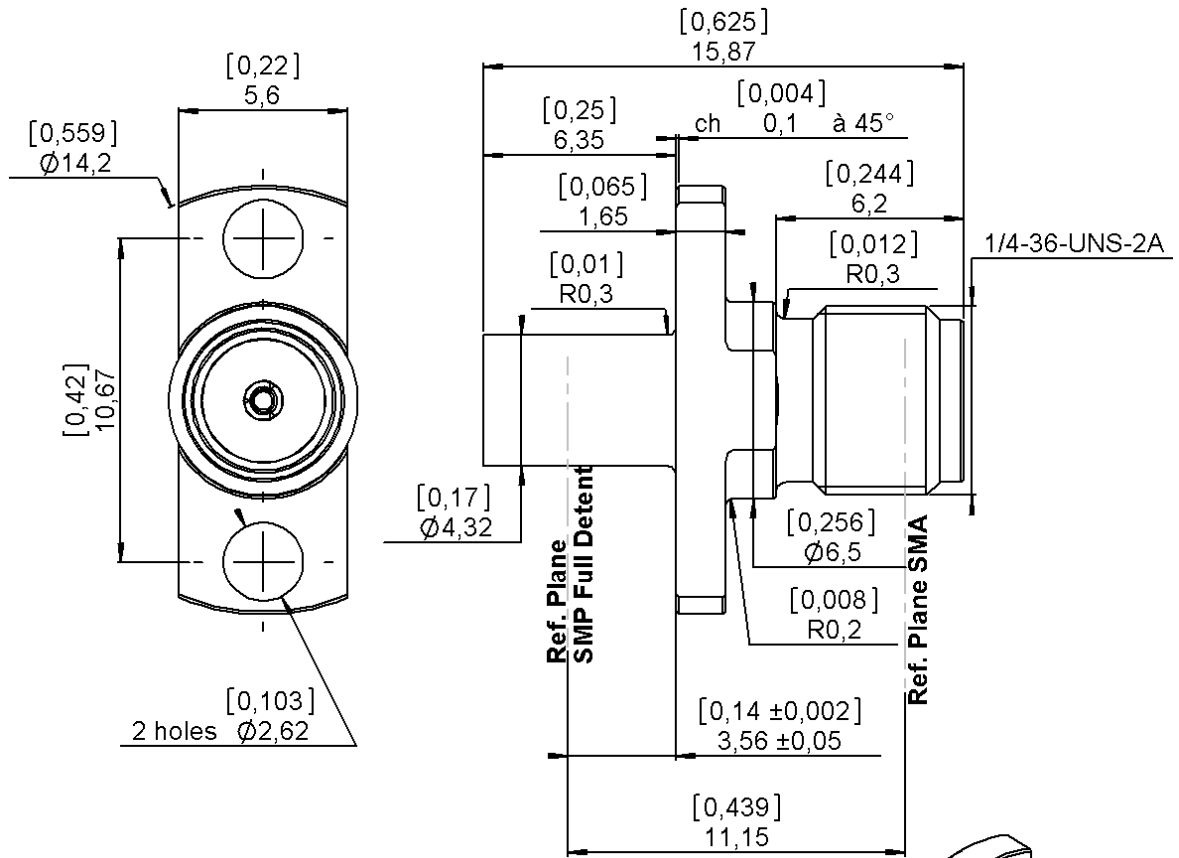
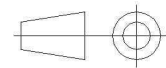


PAGE 1/2	ISSUE 1421A	SERIES ADAPT	PART NUMBER R191843429
----------	-------------	--------------	------------------------



All dimensions are in mm.



COMPONENTS	MATERIALS	PLATING (µm)
Body	STAINLESS STEEL	PASSIVATED
Center contact	BERYLLIUM COPPER	GOLD 1.27 OVER NICKEL 1.27
Outer contact	-	-
Insulator	PTFE	-
Gasket	-	-
Others parts	-	-
-	-	-
-	-	-

PAGE 2/2	ISSUE 1421A	SERIES ADAPT	PART NUMBER R191843429
-----------------	-------------	---------------------	-------------------------------

PACKAGING

Standard	Unit	Other
1	Contact us	Contact us

ELECTRICAL CHARACTERISTICS

Impedance		50	Ω
Frequency		0-18	GHz
VSWR	1.3 +	0,0000	x F(GHz) Maxi
Insertion loss		0.12	\sqrt{F} (GHz) dB Maxi
RF leakage	- (NA	- F(GHz)) dB Maxi
Voltage rating		335	Veff Maxi
Dielectric withstanding voltage		500	Veff mini
Insulation resistance		5000	M Ω mini

ENVIRONMENTAL

Operating	-65/+165	$^{\circ}\text{C}$
Hermetic seal		Atm.cm3/s
Panel leakage		

MECHANICAL CHARACTERISTICS

Center contact retention			
Axial force – Mating End		6.8	N mini
Axial force – Opposite end		6.8	N mini
Torque		NA	N.cm mini

SPECIFICATION

Recommended torque			
Mating	SMA	0	N.cm
	SMP	0	N.cm
		0	N.cm
Panel nut			N.cm

OTHER CHARACTERISTICS

Mating life		100	Cycles mini
Weight		2,2500	g