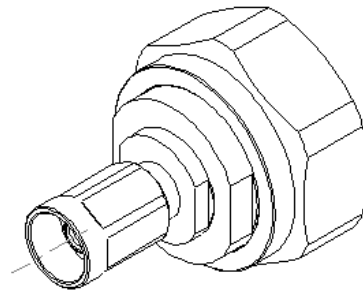
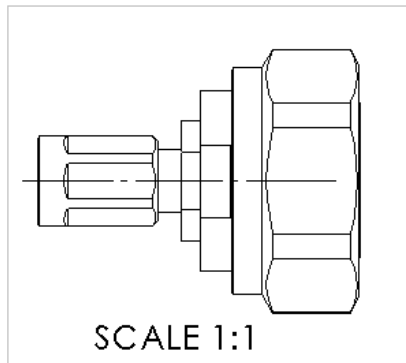
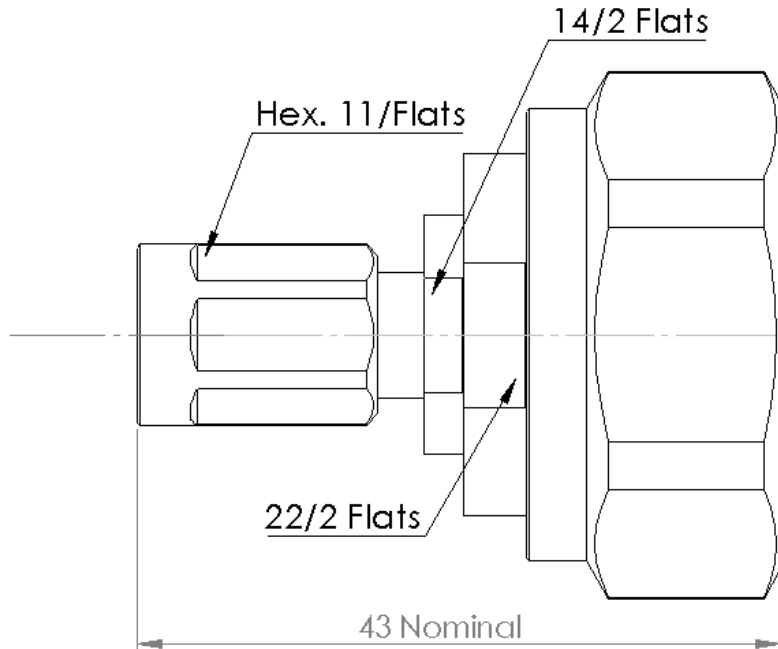
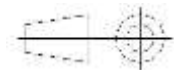


PAGE 1/2	ISSUE20-04-17A	SERIES ADAPTER	PART NUMBER R191.631.007
----------	----------------	-------------------	---------------------------------



All dimensions are in mm.



COMPONENTS	MATERIALS	PLATING (µm)
Body	BRASS	BBR OVER SILVER
Center contact	BERYLLIUM COPPER	SILVER
Outer contact	BERYLLIUM COPPER	SILVER
Insulator	PTFE	
Gasket	-	
Others parts	BRASS, BRONZE	BBR
-	-	-
-	-	-

Australian Representatives
ROJONE, PTY LTD.
Tel: 02 9829 1555
E: sales@rojone.com.au
www.rojone.com.au

PAGE 2/2	ISSUE 20-04-17A	SERIES ADAPTER	PART NUMBER R191.631.007
-----------------	------------------------	--------------------------	---------------------------------

PACKAGING

Standard	Unit	Other
1	Contact us	Contact us

ELECTRICAL CHARACTERISTICS

Impedance		50	Ω
Frequency		0-6	GHz
VSWR	* +	0.0000	x F(GHz) Maxi
Insertion loss		**	\sqrt{F} (GHz) dB Maxi
RF leakage	- (NA	- F(GHz)) dB Maxi
Voltage rating		500	Veff Maxi
Dielectric withstanding voltage		1500	Veff mini
Insulation resistance		5000	M Ω mini

MECHANICAL CHARACTERISTICS

Center contact retention			
Axial force – Mating End		27	N mini
Axial force – Opposite end		27	N mini
Torque		NA	N.cm mini
Recommended torque			
Mating	NEX10	NA	N.cm
	7/16	NA	N.cm
		NA	N.cm
Panel nut		NA	N.cm
Mating life		100	Cycles mini
Weight		90.288	g

ENVIRONMENTAL

Operating	-55~+125	$^{\circ}\text{C}$
Hermetic seal	NA	Atm.cm3/s
Panel leakage	NA	

SPECIFICATION

OTHER CHARACTERISTICS

*.0~3GHz VSWR \leq 1.05, 3~6GHz VSWR \leq 1.15

**..0~6GHz IL \leq 0.12dB

PIM3 \leq -125dBm under 2 carriers of 43dBm @1800MHz