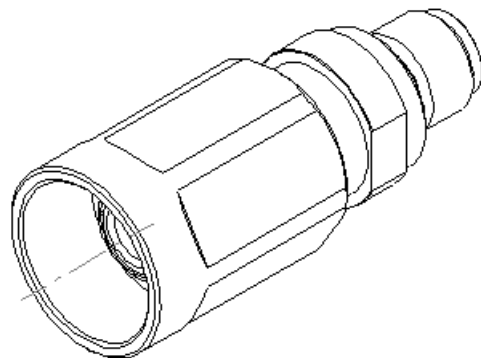
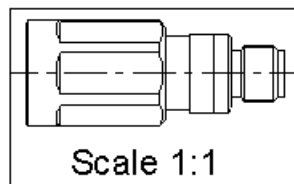
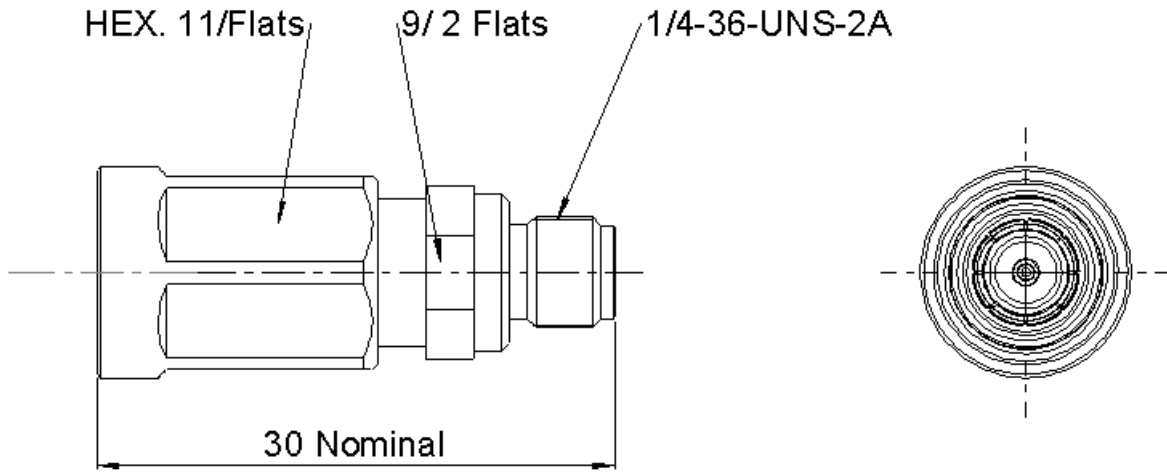
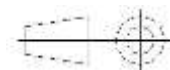


PAGE 1/2	ISSUE 26-05-17A	SERIES ADAPTER	PART NUMBER R191.621.007
----------	-----------------	----------------	--------------------------



All dimensions are in mm.



COMPONENTS	MATERIALS	PLATING (µm)
Body	BRASS	BBR
Center contact	BERYLLIUM COPPER	GOLD OVER NICKLE
Outer contact	BERYLLIUM COPPER	SILVER
Insulator	PTFE	
Gasket	SILICONE RUBBER	
Others parts	BRASS	BBR
-	-	-
-	-	-

Australian Representatives
ROJONE, PTY LTD.
 Tel: 02 9829 1555
 E: sales@rojone.com.au
 www.rojone.com.au

PAGE 2/2	ISSUE 26-05-17A	SERIES ADAPTER	PART NUMBER R191.621.007
-----------------	------------------------	--------------------------	---------------------------------

PACKAGING

Standard	Unit	Other
1	Contact us	Contact us

ELECTRICAL CHARACTERISTICS

Impedance	50	Ω	
Frequency	0-20	GHz	
VSWR	* + 0.0000	x F(GHz) Maxi	
Insertion loss	**	\sqrt{F} (GHz) dB Maxi	
RF leakage	- (NA	- F(GHz)) dB Maxi	
Voltage rating	335	Veff Maxi	
Dielectric withstanding voltage	750	Veff mini	
Insulation resistance	5000	M Ω mini	

MECHANICAL CHARACTERISTICS

Center contact retention			
Axial force – Mating End	NA	N mini	
Axial force – Opposite end	NA	N mini	
Torque	NA	N.cm mini	
Recommended torque			
Mating	NEX10 SMA 3.5	NA	N.cm
		NA	N.cm
		NA	N.cm
		NA	N.cm
Mating life	100	Cycles mini	
Weight	11.996	g	

ENVIRONMENTAL

Operating	-55~+125	$^{\circ}$ C	
Hermetic seal	NA	Atm.cm3/s	
Panel leakage	NA		

SPECIFICATION

OTHER CHARACTERISTICS

*..0~3GHz VSWR \leq 1.05, 3~6GHz VSWR \leq 1.12
6-20GHz VSWR \leq 1.17

**..0~6GHz IL \leq 0.12dB, 6-10GHz IL \leq 0.15dB ,
10-20GHz IL \leq 0.2dB