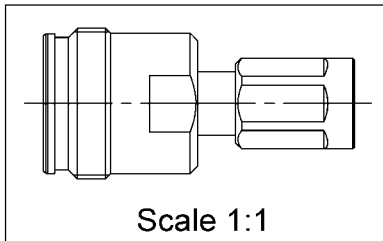
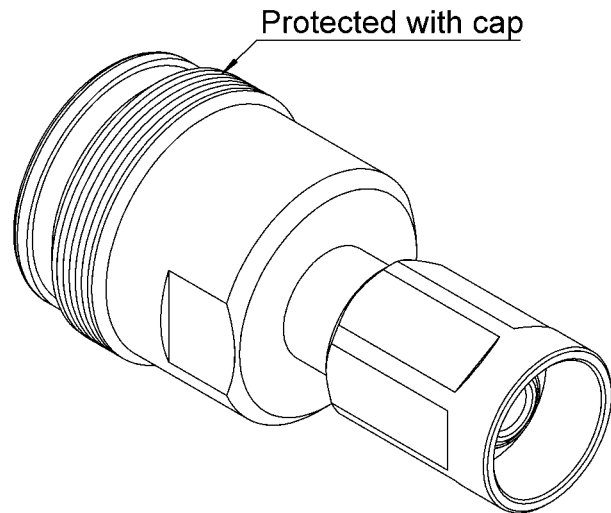
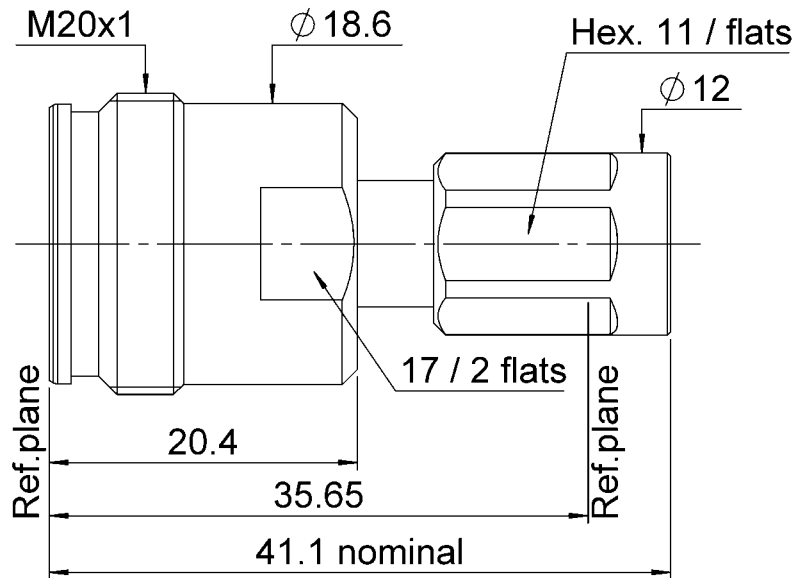
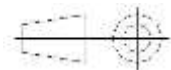


PAGE 1/2	ISSUE 28-09-17A	SERIES ADAPTER	PART NUMBER R191620047
----------	-----------------	----------------	------------------------



All dimensions are in mm. Tolerances according ISO 2768 m-H



COMPONENTS	MATERIALS	PLATING (µm)
Body	<b>BRASS</b>	<b>BBR</b>
Center contact	<b>BERYLLIUM COPPER</b>	<b>SILVER</b>
Outer contact	<b>BRONZE, BERYLLIUM COPPER</b>	<b>SILVER</b>
Insulator	<b>PTFE</b>	
Gasket	<b>SILICONE RUBBER</b>	
Others parts	<b>BRASS, BRONZE</b>	<b>BBR</b>
-	-	-
-	-	-

**Australian Representatives**  
**ROJONE, PTY LTD.**  
Tel: 02 9829 1555  
E: sales@rojone.com.au  
www.rojone.com.au

PAGE <b>2/2</b>	ISSUE <b>28-09-17A</b>	SERIES <b>ADAPTER</b>	PART NUMBER <b>R191620047</b>
-----------------	------------------------	--------------------------	-------------------------------

**PACKAGING**

Standard	Unit	Other
<b>1</b>	<b>Contact us</b>	<b>Contact us</b>

**ELECTRICAL CHARACTERISTICS**

Impedance		<b>50</b>		Ω
Frequency		<b>0-6</b>		GHz
VSWR	<b>1.02</b> +	<b>0.0150</b>		x F(GHz) Maxi
Insertion loss		<b>0.05</b>		√F(GHz) dB Maxi
RF leakage	- (	<b>NA</b>		- F(GHz) dB Maxi
Voltage rating		<b>500</b>		Veff Maxi
Dielectric withstanding voltage		<b>1500</b>		Veff mini
Insulation resistance		<b>5000</b>		MΩ mini

**MECHANICAL CHARACTERISTICS**

Center contact retention				
Axial force – Mating End		<b>27</b>		N mini
Axial force – Opposite end		<b>27</b>		N mini
Torque		<b>NA</b>		N.cm mini
Recommended torque				
Mating	<b>NEX10</b>	<b>300</b>		N.cm
	<b>4.3-10</b>	<b>0</b>		N.cm
		<b>0</b>		N.cm
Panel nut		<b>NA</b>		N.cm
Mating life		<b>100</b>		Cycles mini
Weight		<b>38.8800</b>		g

**ENVIRONMENTAL**

Operating	<b>-55/+90</b>		°C
Hermetic seal	<b>NA</b>		Atm.cm3/s
Panel leakage	<b>NA</b>		

**SPECIFICATION**

-

**OTHER CHARACTERISTICS**