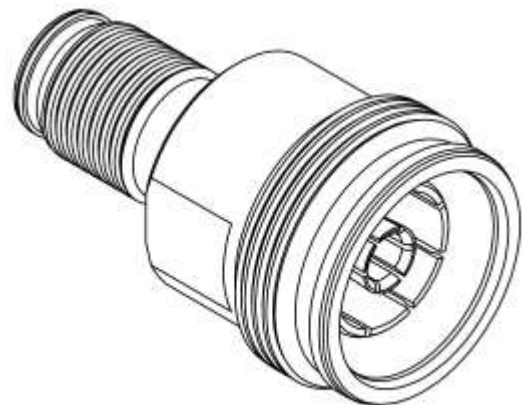
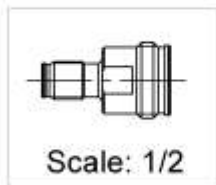
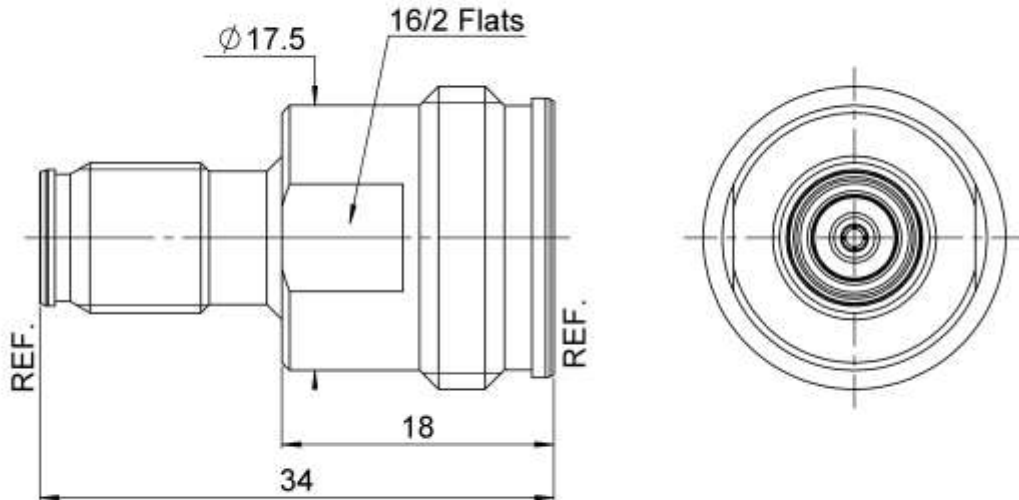
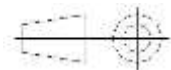


PAGE 1/2	ISSUE 27-02-17A	SERIES 4.3-10	PART NUMBER R191620037
----------	-----------------	---------------	-------------------------------



All dimensions are in mm.



COMPONENTS	MATERIALS	PLATING (µm)
Body	BRASS.	BBR
Center contact	BERYLLIUM COPPER	SILVER
Outer contact	BRONZE	SILVER
Insulator	PTFE	
Gasket		
Others parts		
-	-	-
-	-	-

Australian Representatives
ROJONE, PTY LTD.
Tel: 02 9829 1555
E: sales@rojone.com.au
www.rojone.com.au

PAGE 2/2	ISSUE 27-02-17A	SERIES 4.3-10	PART NUMBER R191620037
-----------------	------------------------	----------------------	-------------------------------

PACKAGING

Standard	Unit	Other
1	Contact us	Contact us

ELECTRICAL CHARACTERISTICS

Impedance		50	Ω
Frequency		0-6	GHz
VSWR	1.05	+	0.0200 x F(GHz) Maxi
Insertion loss		0.05	\sqrt{F} (GHz) dB Maxi
RF leakage	- (NA	- F(GHz) dB Maxi
Voltage rating		500	Veff Maxi
Dielectric withstanding voltage		1500	Veff mini
Insulation resistance		5000	M Ω mini

ENVIRONMENTAL

Operating	-55/+90	$^{\circ}\text{C}$
Hermetic seal	NA	Atm.cm3/s
Panel leakage	NA	

MECHANICAL CHARACTERISTICS

Center contact retention			
Axial force – Mating End		27	N mini
Axial force – Opposite end		27	N mini
Torque		NA	N.cm mini
Recommended torque			
Mating	NEX10	0	N.cm
	4.3-10	0	N.cm
		0	N.cm
Panel nut		NA	N.cm
Mating life		100	Cycles mini
Weight		27.6340	g

SPECIFICATION

OTHER CHARACTERISTICS