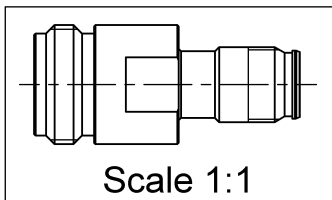
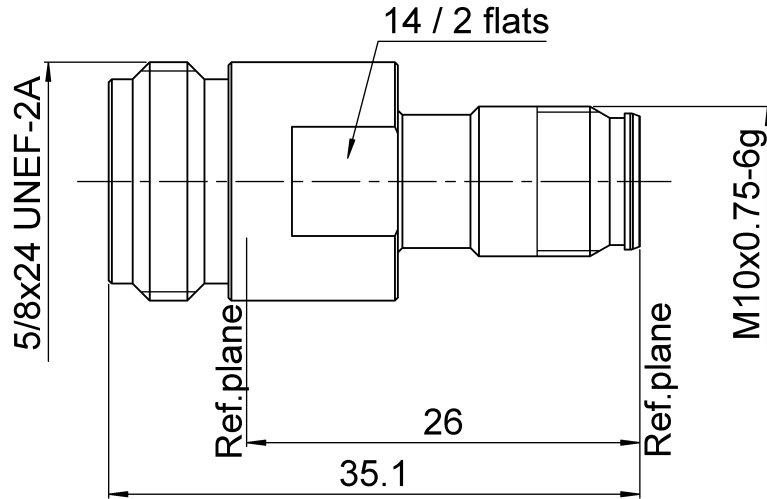
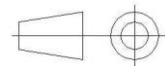
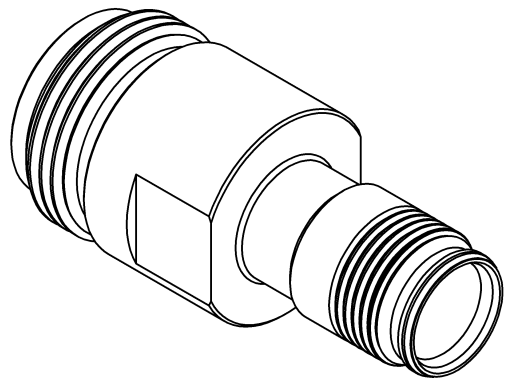


| | | | |
|----------|-----------------|-------------------|------------------------|
| PAGE 1/2 | ISSUE 05-12-16A | SERIES ADAPTER | PART NUMBER R191620027 |
|----------|-----------------|-------------------|------------------------|



All dimensions are in mm.



| COMPONENTS | MATERIALS | PLATING (µm) |
|----------------|-------------------------|---------------|
| Body | BRASS | BBR |
| Center contact | BERYLLIUM COPPER | SILVER |
| Outer contact | | |
| Insulator | PTFE | |
| Gasket | | |
| Others parts | | |
| - | - | - |
| - | - | - |



Australian Representatives
ROJONE, PTY LTD.
Tel: 02 9829 1555
E: sales@rojone.com.au
www.rojone.com.au

| | | | |
|-----------------|------------------------|--------------------------|-------------------------------|
| PAGE 2/2 | ISSUE 05-12-16A | SERIES ADAPTER | PART NUMBER R191620027 |
|-----------------|------------------------|--------------------------|-------------------------------|

PACKAGING

| Standard | Unit | Other |
|----------|-------------------|-------------------|
| 1 | Contact us | Contact us |

ELECTRICAL CHARACTERISTICS

| | | | | |
|---------------------------------|-------------|-------------|---------------|------------------|
| Impedance | | 50 | Ω | |
| Frequency | | 0-11 | GHz | |
| VSWR | 1.02 | + | 0.0150 | x F(GHz) Maxi |
| Insertion loss | | | 0.05 | √F(GHz) dB Maxi |
| RF leakage | | - (| NA | - F(GHz) dB Maxi |
| Voltage rating | | | 500 | Veff Maxi |
| Dielectric withstanding voltage | | | 1500 | Veff mini |
| Insulation resistance | | | 5000 | MΩ mini |

ENVIRONMENTAL

| | | |
|---------------|-----------------|-----------|
| Operating | -55/+125 | °C |
| Hermetic seal | NA | Atm.cm3/s |
| Panel leakage | NA | |

MECHANICAL CHARACTERISTICS

| | | | | |
|---------------------------------|--------------|----------------|-------------|--|
| <u>Center contact retention</u> | | | | |
| Axial force – Mating End | | 27 | N mini | |
| Axial force – Opposite end | | 27 | N mini | |
| Torque | | NA | N.cm mini | |
| <u>Recommended torque</u> | | | | |
| Mating | N | 0 | N.cm | |
| | NEX10 | 0 | N.cm | |
| | | 0 | N.cm | |
| Panel nut | | NA | N.cm | |
| Mating life | | 100 | Cycles mini | |
| Weight | | 27.3700 | g | |

SPECIFICATION

OTHER CHARACTERISTICS