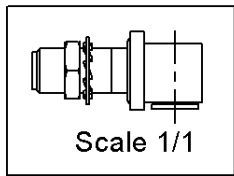
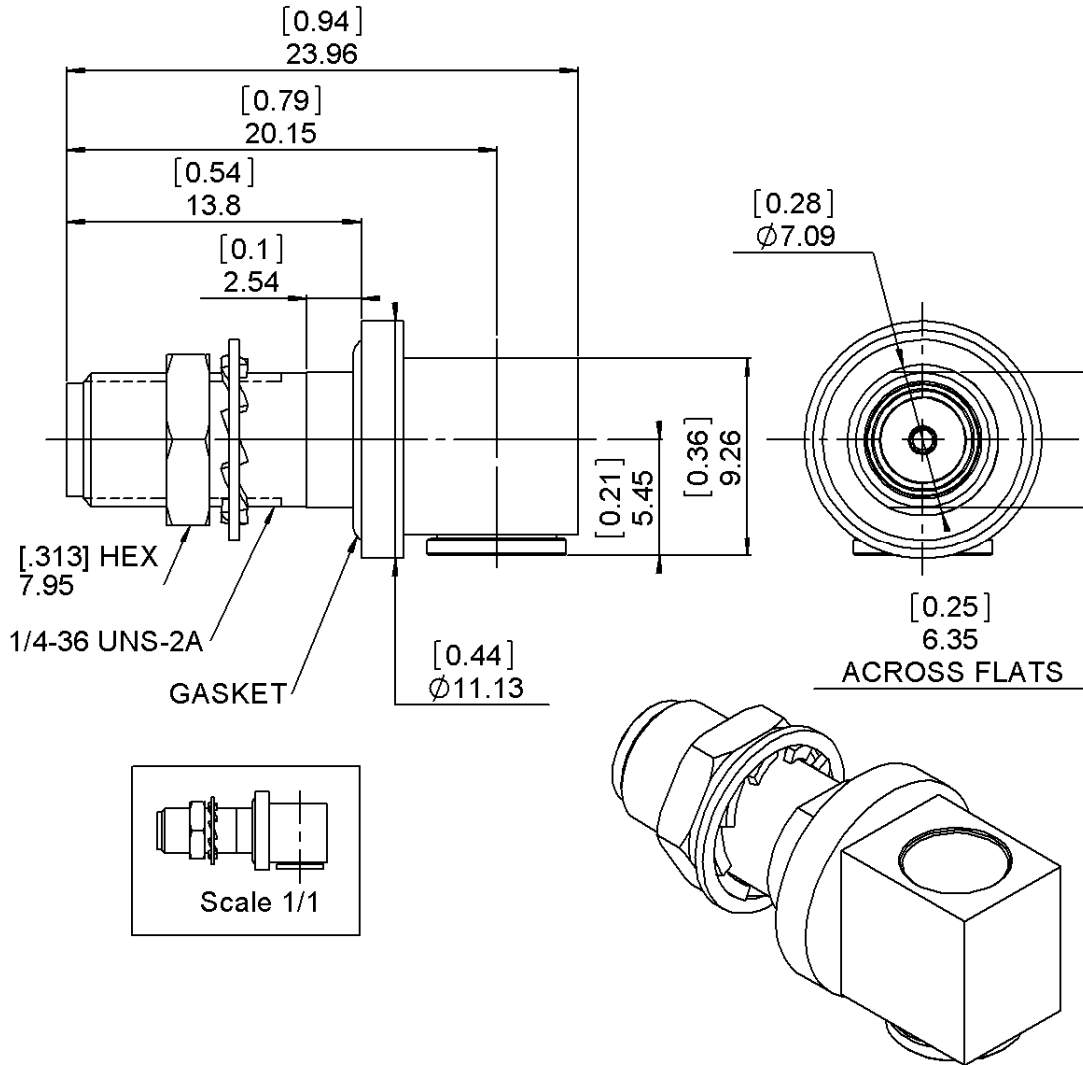


SMA FEMALE - MMBX FEMALE

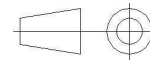
R191.389.420

RIGHT ANGLE ADAPTER

Série : ADAPT



All dimensions are in mm.



COMPONENTS	MATERIALS	PLATING (µm)
BODY	BRASS	BBR 2
CENTER CONTACT	BERYLLIUM COPPER	GOLD 1.3 OVER NICKEL 2
OUTER CONTACT	-	
INSULATOR	POLYMERE A CRISTAUX	
GASKET	LIQUIDES,PTFE	
OTHERS PARTS		
-	-	-
-	-	-

Issue : 1402 F

In the effort to improve our products, we reserve the rights to make changes judged to be necessary.



SMA FEMALE - MMBX FEMALE

R191.389.420

RIGHT ANGLE ADAPTER

Série : ADAPT

PACKAGING

Standard	Unit	Other
	'W' option	Contact us

SPECIFICATION

ELECTRICAL CHARACTERISTICS

Impedance		50 Ω
Frequency		0-12.4 GHz
VSWR	TBD +	0.0000 x F(GHz) Maxi
Insertion loss		TBD √F(GHz) dB Maxi
RF leakage	- (100 - F(GHz)) dB Maxi
Voltage rating		330 Veff Maxi
Dielectric withstanding voltage		500 Veff mini
Insulation resistance		1000 MΩ mini

ENVIRONMENTAL

Operating		-55/+155° ° C
Hermetic seal		NA Atm.cm3/s
Panel leakage		NA

MECHANICAL CHARACTERISTICS

Center contact retention		
Axial force – Mating end		10 N mini
Axial force – Opposite end		10 N mini
Torque		NA N.cm mini
Recommended torque		
Mating		0 N.cm
		0 N.cm
		0 N.cm
Panel nut		NA N.cm
Mating life		500 Cycles mini
Weight		6.8800 g

OTHER CHARACTERISTICS

to 6 GHz
Interface MMBX only up to 2.5GHz

Issue : 1402 F

In the effort to improve our products, we reserve the rights to make changes judged to be necessary.

