

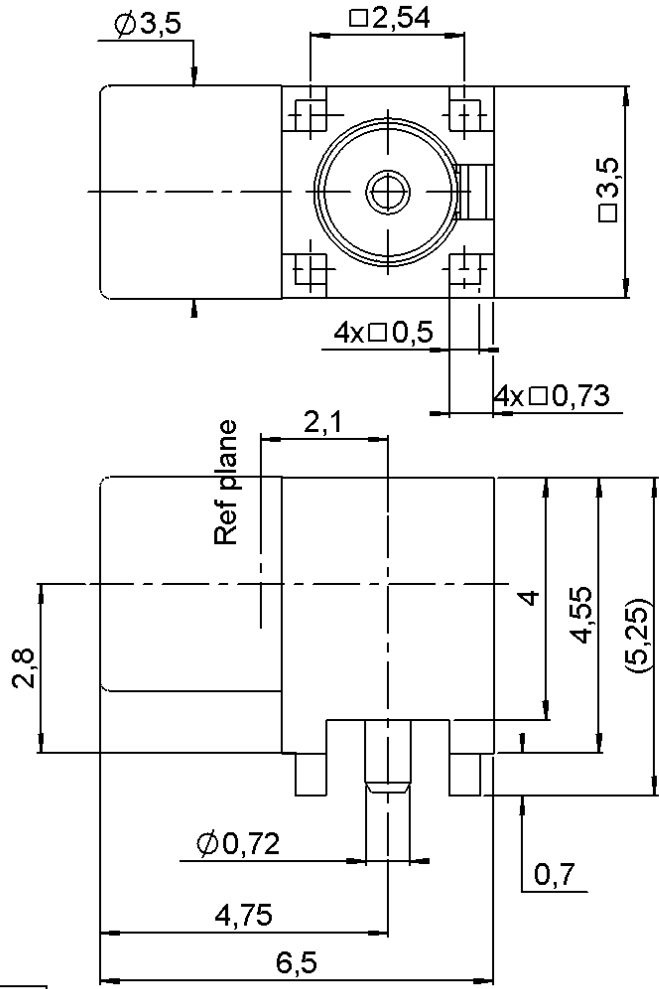
RIGHT ANGLE FEMALE RECEPTACLE FOR PCB
SOLDER LEGS - REEL OF 500

R110.665.860

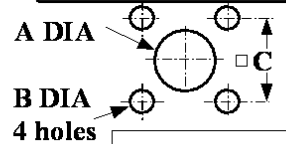
Series : MMCX



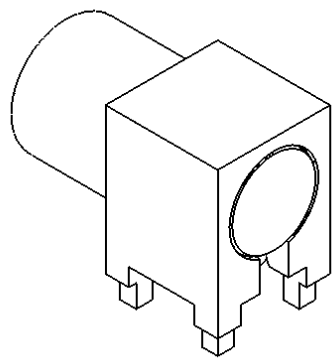
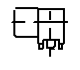
Australian Representatives
ROJONE, PTY LTD.
 Tel: 02 9829 1555
 E: sales@rojone.com.au
 www.rojone.com.au



PANEL CUT OUT



	mm	
	Maxi	mini
A	1.05	0.95
B	0.9	0.8
C	2.56	2.52

Scale : 1/1

All dimensions are in mm.

COMPONENTS	MATERIALS	PLATING (μm)
BODY	BRASS	GOLD 0.2 OVER NICKEL 2
CENTER CONTACT	BERYLLIUM COPPER	GOLD 1.3 OVER NICKEL 2
OUTER CONTACT	-	
INSULATOR	PTFE	
GASKET	-	
OTHERS PARTS	BRASS	BBR 2
.	.	
.	.	

Issue : 0642 B

In the effort to improve our products, we reserve the right to make changes judged to be necessary.



PRELIMINARY

RIGHT ANGLE FEMALE RECEPTACLE FOR PCB

R110.665.860

SOLDER LEGS - REEL OF 500

Series : MMCX

PACKAGING

SPECIFICATION

Standard	Unit	Other
500	'W' option	Contact us

ELECTRICAL CHARACTERISTICS

ENVIRONMENTAL

Impedance **50** Ω
 Frequency **0-6** GHz
 VSWR **NA + 0,0000** x F(GHz) Maxi
 Insertion loss **NA** √F(GHz) dB Maxi
 RF leakage - (**NA** - F(GHz)) dB Maxi
 Voltage rating **250** Veff Maxi
 Dielectric withstanding voltage **500** Veff mini
 Insulation resistance **1000** MΩ mini

Operating temperature **-55/+155** ° C
 Hermetic seal **NA** Atm.cm3/s
 Panel leakage **NA**

OTHER CHARACTERISTICS

Assembly instruction **NA**

Others :

MECHANICAL CHARACTERISTICS

Center contact retention
 Axial force – Mating end **10** N mini
 Axial force – Opposite end **10** N mini
 Torque **NA** N.cm mini

Recommended torque
 Mating **NA** N.cm
 Panel nut **NA** N.cm

Mating life **500** Cycles mini
 Weight **0,4010** g

Issue : 0642 B

In the effort to improve our products, we reserve the right to make changes judged to be necessary.



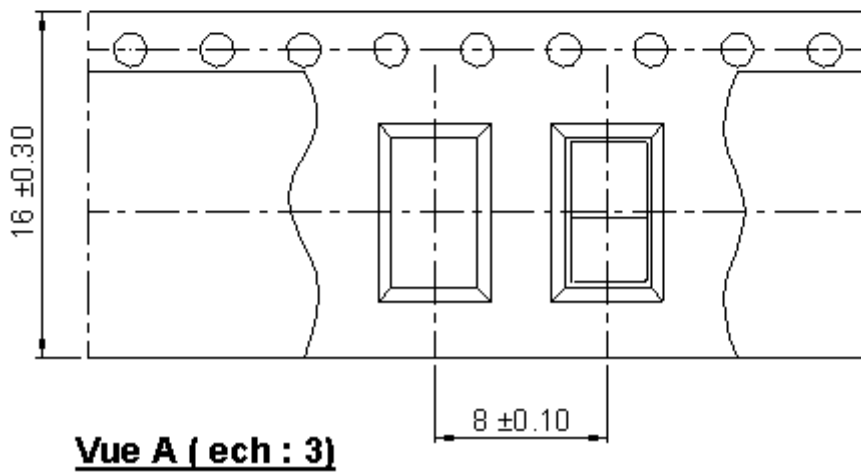
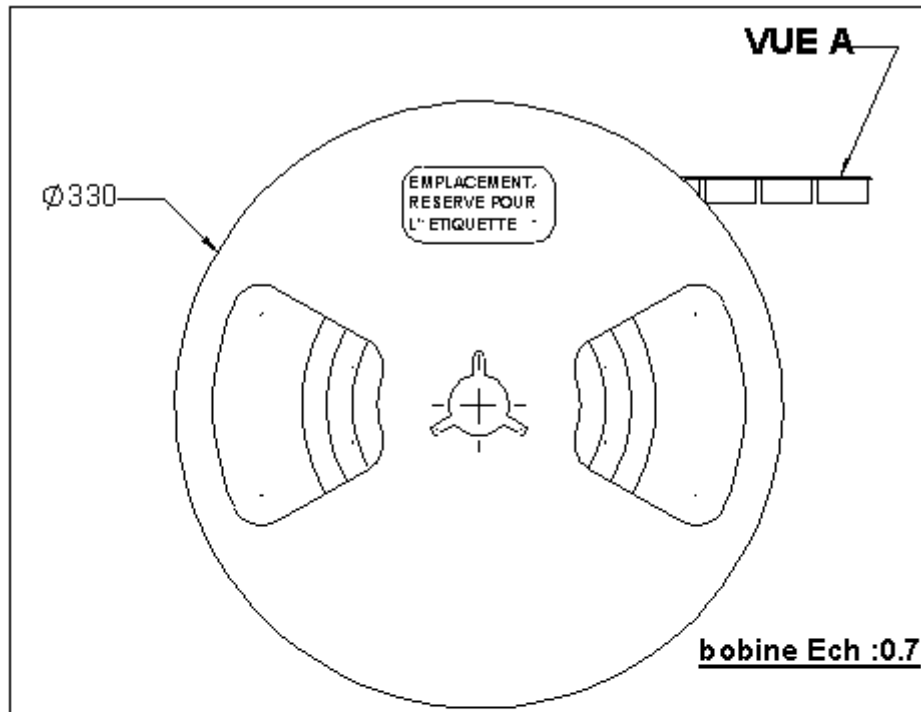
PRELIMINARY

RIGHT ANGLE FEMALE RECEPTACLE FOR PCB

R110.665.860

SOLDER LEGS - REEL OF 500

Series : MMCX



Issue : 0642 B

In the effort to improve our products, we reserve the right to make changes judged to be necessary.



PRELIMINAIRE