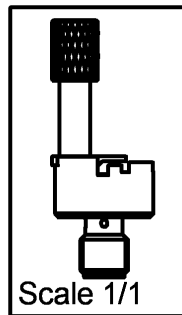
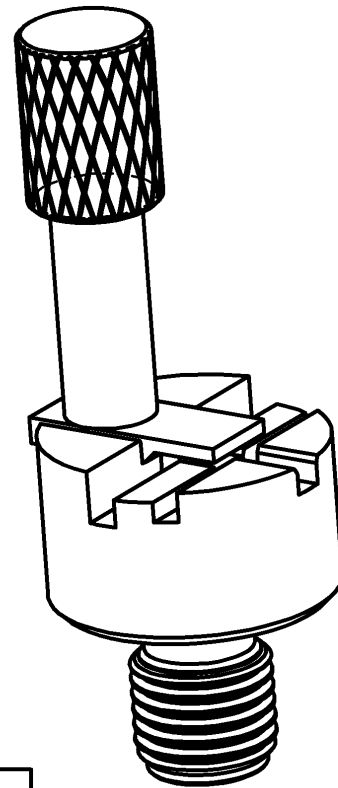
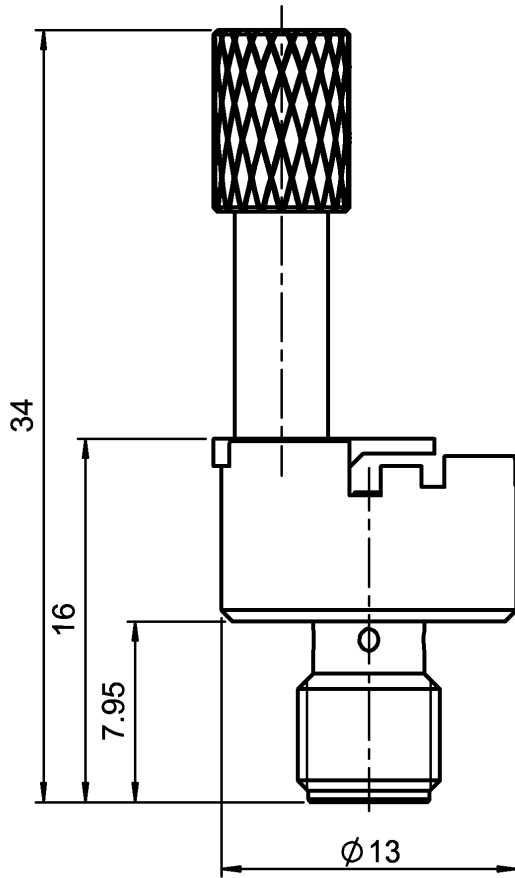


**TEST ADAPTER**  
**FOR UMP PIGTAIL HEIGHT 2 MM**

**R107.009.901**

Series : UMP



All dimensions are in mm.



COMPONENTS	MATERIALS	PLATINGS (µm)
BODY	BRASS	GOLD 0.5 OVER NICKEL 2
CENTER CONTACT	BERYLLIUM COPPER	GOLD 1.3 OVER NICKEL 2
OUTER CONTACT		
INSULATOR	PTFE	
GASKET		
OTHERS PARTS	BRASS,STAINLESS STEEL	
-	-	BBR + GOLD
-	-	-


**Australian Representatives**  
**ROJONE, PTY LTD.**  
 Tel: 02 9829 1555  
 E: sales@rojone.com.au  
 www.rojone.com.au

Issue : 0127 B

In the effort to improve our products, we reserve the right to make changes judged to be necessary.



**TEST ADAPTER**  
**FOR UMP PIGTAIL HEIGHT 2 MM**

**R107.009.901**

Series : UMP

**PACKAGING**

**SPECIFICATION**

Standard	Unit	Other
<b>1</b>	-	<b>Contact us</b>

**ELECTRICAL CHARACTERISTICS**

Impedance		<b>50</b> Ω
Frequency		<b>0-6</b> GHz
VSWR	<b>**1.10</b> +	<b>0.010</b> x F(GHz) Maxi
Insertion loss		<b>0.4</b> √F(GHz) dB Maxi
RF leakage	- (	<b>TBD</b> - F(GHz)) dB Maxi
Voltage rating		<b>350</b> Veff Maxi
Dielectric withstanding voltage		<b>1000</b> Veff mini
Insulation resistance		<b>5000</b> MΩ mini

**ENVIRONMENTAL**

Operating temperature	<b>-40/+90</b> ° C
Hermetic seal	- Atm.cm3/s
Panel leakage	-

**OTHERS CHARACTERISTICS**

Assembly instruction

Others :

\*\* ROS to 2.4 GHz

5000 cycles on mobile part

**MECHANICAL CHARACTERISTICS**

Center contact retention		
Axial force – Mating end	<b>27</b>	N mini
Axial force – Opposite end	-	N mini
Torque	-	N.cm mini
Recommended torque		
Mating	<b>60</b>	N.cm
Panel nut	-	N.cm
Mating life	<b>100</b>	Cycles mini
Weight	<b>11.100</b>	g

Issue : 0127 B

In the effort to improve our products, we reserve the right to make changes judged to be necessary.



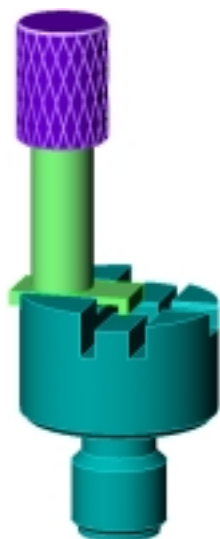
**TEST ADAPTER**  
**FOR UMP PIGTAIL HEIGHT 2 MM**

**R107.009.901**

Series : UMP

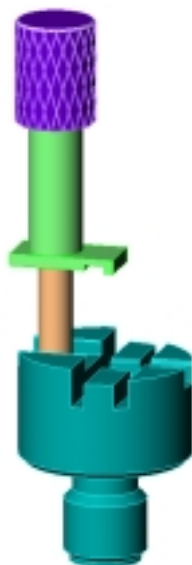
**UTILIZATION**

Phase 1

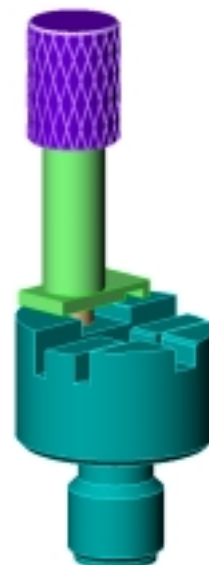


Initial position

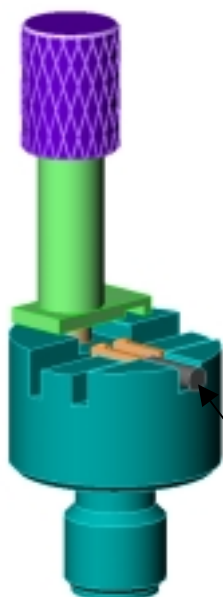
Phase 2



Phase 3

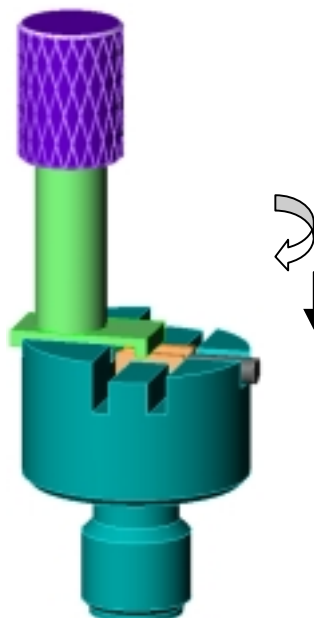


Phase 4



UMP

Phase 5



Issue : 0127 B

In the effort to improve our products, we reserve the right to make changes judged to be necessary.

