



Broadband Gain Horn Antenna Operating From 1 GHz to 18 GHz  
With a Nominal 11 dB Gain With N Female Input Connector

TECHNICAL DATA SHEET

PE9888-11

**Configuration**

Frequency Range	1 to 18 GHz
Polarization	Linear
RF Connector	N Female

**Electrical Specifications** (Values at 25°C, sea level)

Description	Minimum	Typical	Maximum	Units
Frequency Range	1		18	GHz
Nominal Gain		11		dB
Input Power			300	Watts
Input VSWR		1.5		

**Mechanical Specifications**

**Size**

Length	9.606 in [243.99 mm]
Width	6.457 in [164.01 mm]
Height	8.031 in [203.99 mm]
Weight	3.2 lbs [1.45 Kg]

**Compliance Certifications** (visit [www.Pasternack.com](http://www.Pasternack.com) for current document)

RoHS Compliant	
REACH Compliant	12/17/2015

**Plotted and Other Data**

Notes:

- Values at 25 °C, sea level

Click the following link (or enter part number in "SEARCH" on website) to obtain additional part information including price, inventory and certifications: [Broadband Gain Horn Antenna Operating From 1 GHz to 18 GHz With a Nominal 11 dB Gain With N Female Input Connector PE9888-11](#)

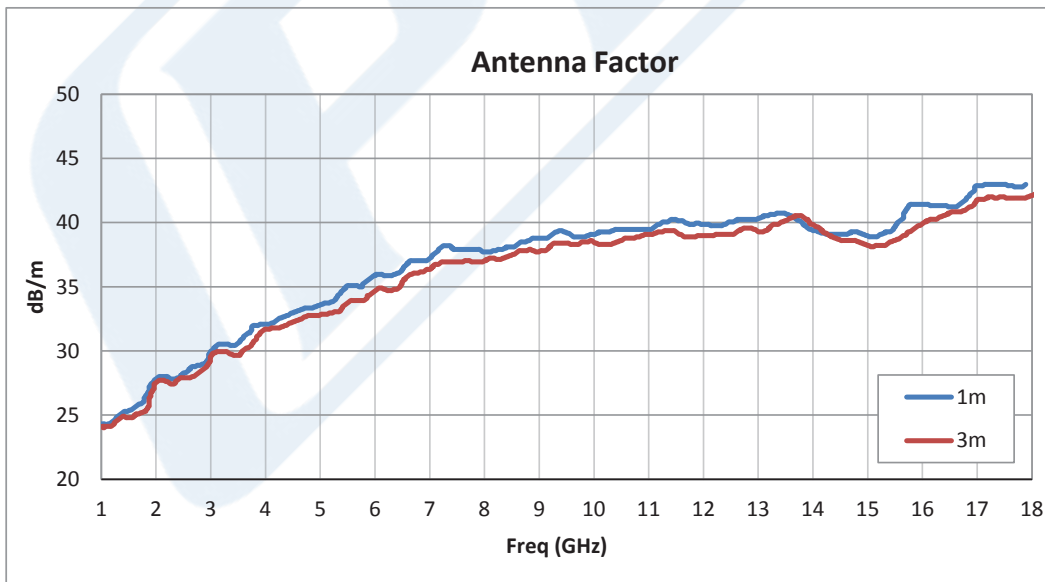
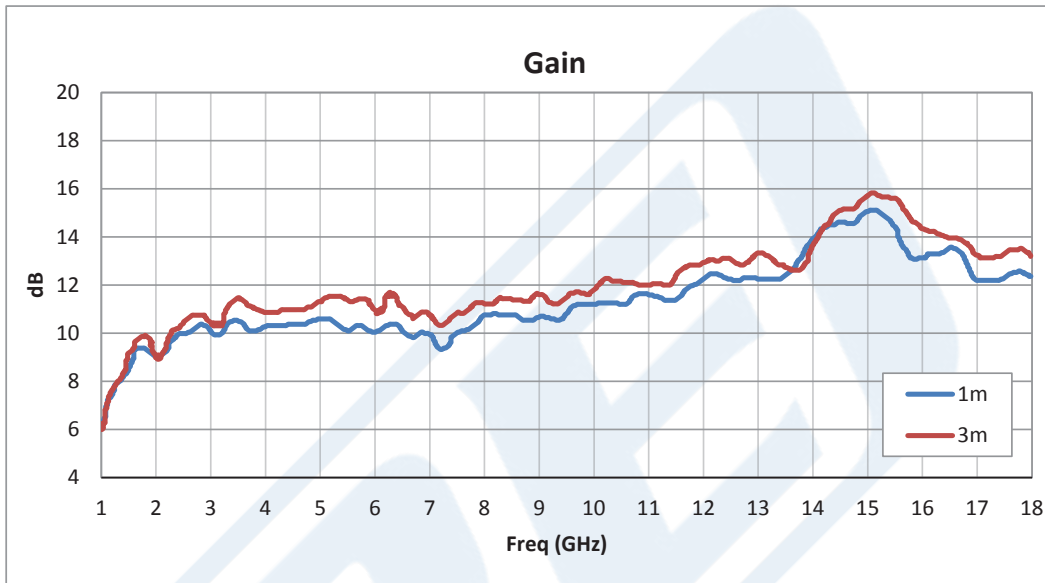


Broadband Gain Horn Antenna Operating From 1 GHz to 18 GHz  
With a Nominal 11 dB Gain With N Female Input Connector

TECHNICAL DATA SHEET

PE9888-11

Typical Performance Data



Click the following link (or enter part number in "SEARCH" on website) to obtain additional part information including price, inventory and certifications: [Broadband Gain Horn Antenna Operating From 1 GHz to 18 GHz With a Nominal 11 dB Gain With N Female Input Connector PE9888-11](#)

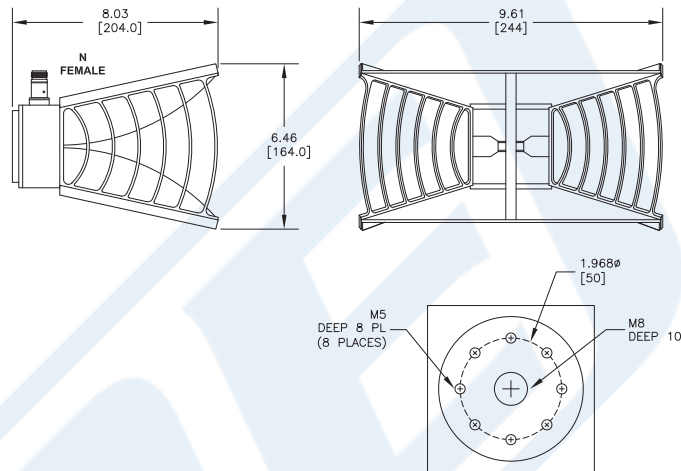


Broadband Gain Horn Antenna Operating From 1 GHz to 18 GHz  
With a Nominal 11 dB Gain With N Female Input Connector

TECHNICAL DATA SHEET

PE9888-11

Outline Drawing



Broadband Gain Horn Antenna Operating From 1 GHz to 18 GHz With a Nominal 11 dB Gain With N Female Input Connector from Pasternack Enterprises has same day shipment for domestic and International orders. Our RF, microwave and millimeter wave products maintain a 99% availability and are part of the broadest selection in the industry.

Click the following link (or enter part number in "SEARCH" on website) to obtain additional part information including price, inventory and certifications: [Broadband Gain Horn Antenna Operating From 1 GHz to 18 GHz With a Nominal 11 dB Gain With N Female Input Connector PE9888-11](http://www.pasternack.com/broadband-gain-horn-antenna-1-18-ghz-11-db-n-pe9888-11-p.asp)

URL: <http://www.pasternack.com/broadband-gain-horn-antenna-1-18-ghz-11-db-n-pe9888-11-p.asp>

The information contained in this document is accurate to the best of our knowledge and representative of the part described herein. It may be necessary to make modifications to the part and/or the documentation of the part, in order to implement improvements. Pasternack reserves the right to make such changes as required. Unless otherwise stated, all specifications are nominal. Pasternack does not make any representation or warranty regarding the suitability of the part described herein for any particular purpose, and Pasternack does not assume any liability arising out of the use of any part or documentation.