



WR-15 Waveguide Horn Antenna Operating From
50 GHz to 75 GHz With a Nominal 42 dBi Gain
With UG-385/U Round Cover Flange

Specialty Waveguide Antennas Technical Data Sheet

PE9881-42

Configuration

Design WR-15 Standard Gain Horn
Pattern Directional
Flange UG-385/U Round Cover

Electrical Specifications

Description	Minimum	Typical	Maximum	Units
Frequency Range	50		75	GHz
Gain			42	dBi
Horizontal 3dB Beam Width		1.9		Degrees

Mechanical Specifications

Size

Length 13.17 in [334.52 mm]
Width 10.79 in [274.07 mm]
Height 10.79 in [274.07 mm]
Weight 5.7945 lbs [2.63 Kg]

Interface

Flange Type Round Cover
Flange Designation UG-385/U

Environmental Specifications

Compliance Certifications (see [product page](#) for current document)

Plotted and Other Data

Notes:

Click the following link (or enter part number in "SEARCH" on website) to obtain additional part information including price, inventory and certifications: [WR-15 Waveguide Horn Antenna Operating From 50 GHz to 75 GHz With a Nominal 42 dBi Gain With UG-385/U Round Cover Flange PE9881-42](#)



WR-15 Waveguide Horn Antenna Operating From
50 GHz to 75 GHz With a Nominal 42 dBi Gain
With UG-385/U Round Cover Flange

Specialty Waveguide Antennas Technical Data Sheet

PE9881-42

WR-15 Waveguide Horn Antenna Operating From 50 GHz to 75 GHz With a Nominal 42 dBi Gain With UG-385/U Round Cover Flange from Pasternack Enterprises has same day shipment for domestic and International orders. Our RF, microwave and millimeter wave products maintain a 99.4% availability and are part of the broadest selection in the industry.

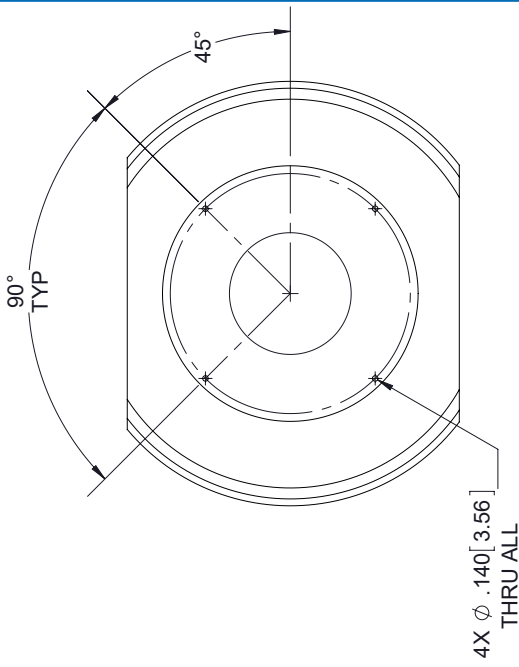
Click the following link (or enter part number in "SEARCH" on website) to obtain additional part information including price, inventory and certifications: [WR-15 Waveguide Horn Antenna Operating From 50 GHz to 75 GHz With a Nominal 42 dBi Gain With UG-385/U Round Cover Flange PE9881-42](#)

URL: <https://www.pasternack.com/horn-antenna-50-75-ghz-nominal-42-dbi-gain-wr-15-pe9881-42-p.aspx>

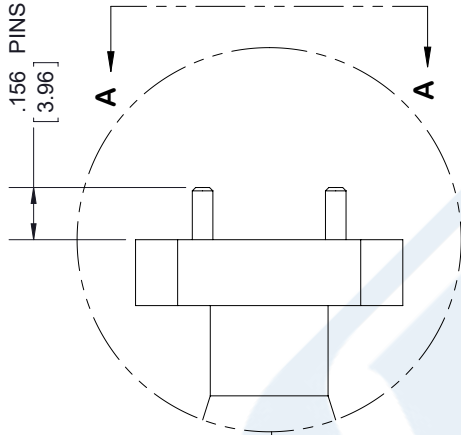
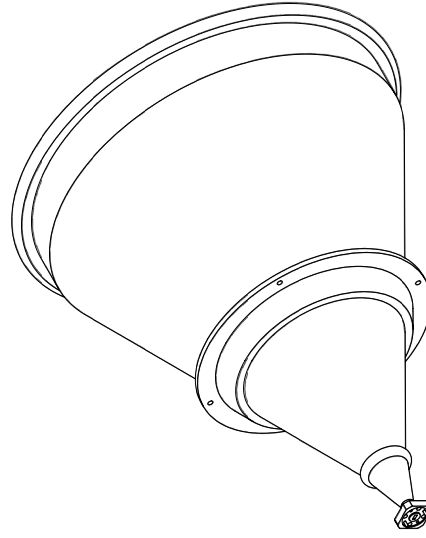
The information contained in this document is accurate to the best of our knowledge and representative of the part described herein. It may be necessary to make modifications to the part and/or the documentation of the part, in order to implement improvements. Pasternack reserves the right to make such changes as required. Unless otherwise stated, all specifications are nominal. Pasternack does not make any representation or warranty regarding the suitability of the part described herein for any particular purpose, and Pasternack does not assume any liability arising out of the use of any part or documentation.

PE9881-42 CAD Drawing

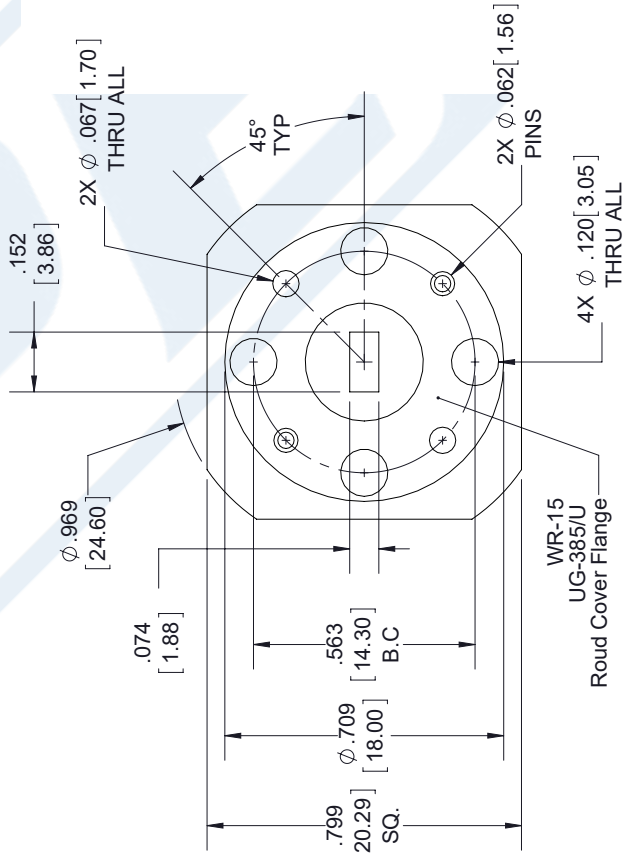
WR-15 Waveguide Horn Antenna Operating From 50 GHz to 75 GHz
With a Nominal 42 dBi Gain With UG-385/U Round Cover Flange



SECTION B-B



DETAIL A



STANDARD TOLERANCES	
.X	±0.2
.XX	±0.01
.XXX	±0.005

*STANDARD TOLERANCES APPLY ONLY TO DIMENSIONS IN INCHES

NOTES:
1. UNLESS OTHERWISE SPECIFIED ALL DIMENSIONS ARE NOMINAL.
2. ALL SPECIFICATIONS ARE SUBJECT TO CHANGE WITHOUT NOTICE AT ANY TIME
3. DIMENSIONS ARE IN INCHES [mm].

DWG TITLE	PE9881-42
CAGE CODE	53919
CAD FILE	060817
SCALE	N/A
SIZE	A
	9999

PE PASTERNAK®
THE ENGINEER'S RF SOURCE
Pasternack Enterprises, Inc.
P.O. Box 16759 | Irvine | CA | 92623
Phone: (949) 261-1920 | Fax: (949) 261-7451
Website: www.pasternack.com | E-Mail: sales@pasternack.com