

WR-284 Waveguide Standard Gain Horn Antenna

Operating From 2.6 GHz to 3.95 GHz With a Nominal 10 dBi Gain With CMR-284 Flange

Gain Horns Technical Data Sheet

PE9863-10

Features

- Rectangular Waveguide Interface
- 2.6 GHz to 3.95 GHz
- 10 dBi Nominal Gain
- CMR-284 Flange

Applications

- Antenna Measurements
- Laboratory Use
- Wireless Communication
- Microwave Radio Systems

Description

Pasternack's PE9863-10 WR-284 waveguide standard gain horn antenna operating from 2.6 GHz to 3.95 GHz with a nominal 10 dBi gain is part of our full line of RF components available for same-day shipping. This Pasternack pyramidal horn antenna has a lightweight anodized aluminum body and a precision tolerance CMR-284 flange. The PE9863-10 WR-284 waveguide standard gain horn antenna offers low gain variation across its operating frequency range, 50.8 degrees of vertical half power beam width and 54.1 degrees of horizontal half power beam width.

Waveguide standard gain horn antennas are used in a wide variety of applications due to their high power handling capability, low loss, high directivity, and near constant electrical performance across a broad bandwidth. Pasternack's WR-284 standard gain horns are available in 10 and 20 dB models with pyramidal shape and rectangular waveguide input.

Configuration

Design	WR-284 Standard Gain Horn
Pattern	Directional
Polarization	Linear

Electrical Specifications

Description	Minimum	Typical	Maximum	Units
Frequency Range	2.6		3.95	GHz
Nominal Gain		10		dBi
Horizontal Half Power Beam Width		54.1		Degrees
Vertical Half Power Beam Width		50.8		Degrees

Electrical Specification Notes:
 Half power beam width is calculated by computer simulation.

Mechanical Specifications

Size	
Length	7.5 in [190.5 mm]
Width	4.4 in [111.76 mm]
Height	3.575 in [90.81 mm]
Weight	1.004 lbs [455.41 g]

Click the following link (or enter part number in "SEARCH" on website) to obtain additional part information including price, inventory and certifications: [WR-284 Waveguide Standard Gain Horn Antenna Operating From 2.6 GHz to 3.95 GHz With a Nominal 10 dBi Gain With CMR-284 Flange PE9863-10](#)



WR-284 Waveguide Standard Gain Horn Antenna
Operating From 2.6 GHz to 3.95 GHz With a
Nominal 10 dBi Gain With CMR-284 Flange

Gain Horns Technical Data Sheet

PE9863-10

Waveguide Interface

Waveguide Size

WR-284

Flange Type

CMR-284

Body Material and Plating

Anodized Aluminum, Paint

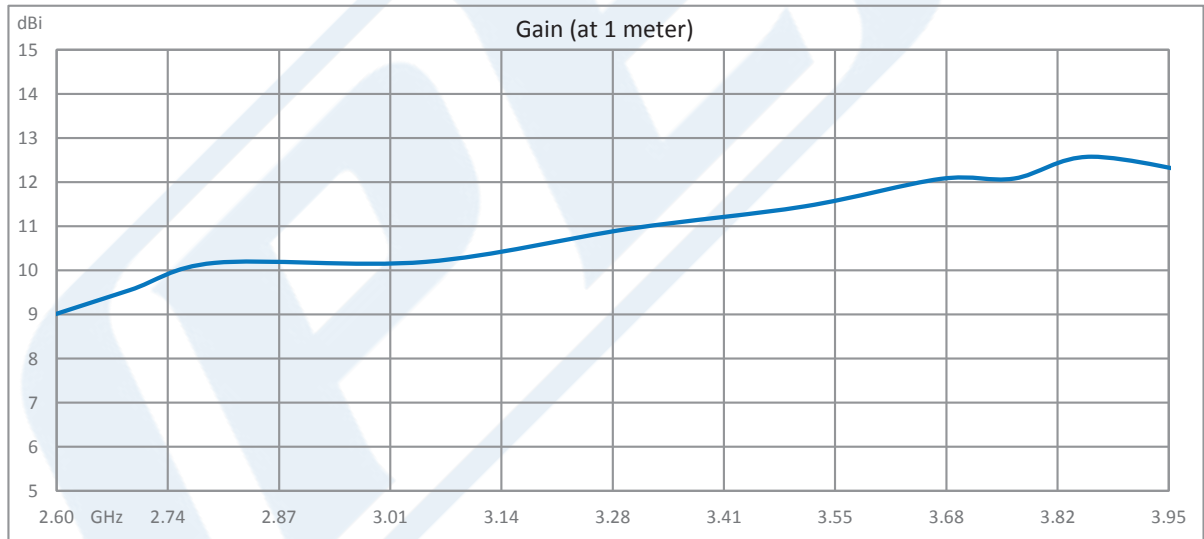
Environmental Specifications

Compliance Certifications (see [product page](#) for current document)

Plotted and Other Data

Notes:

Typical Performance Data



Click the following link (or enter part number in "SEARCH" on website) to obtain additional part information including price, inventory and certifications: [WR-284 Waveguide Standard Gain Horn Antenna Operating From 2.6 GHz to 3.95 GHz With a Nominal 10 dBi Gain With CMR-284 Flange PE9863-10](#)



WR-284 Waveguide Standard Gain Horn Antenna
Operating From 2.6 GHz to 3.95 GHz With a
Nominal 10 dBi Gain With CMR-284 Flange

Gain Horns Technical Data Sheet

PE9863-10

WR-284 Waveguide Standard Gain Horn Antenna Operating From 2.6 GHz to 3.95 GHz With a Nominal 10 dBi Gain With CMR-284 Flange from Pasternack Enterprises has same day shipment for domestic and International orders. Our RF, microwave and millimeter wave products maintain a 99.4% availability and are part of the broadest selection in the industry.

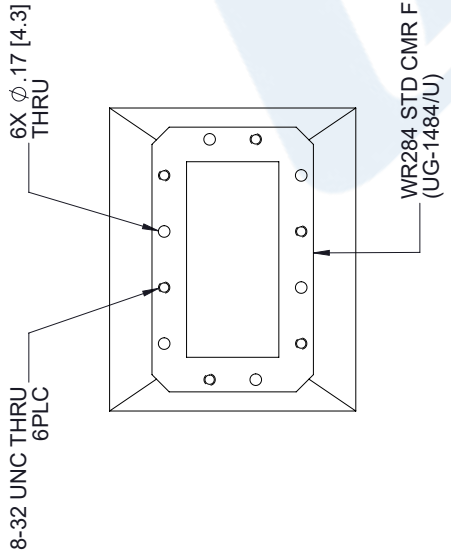
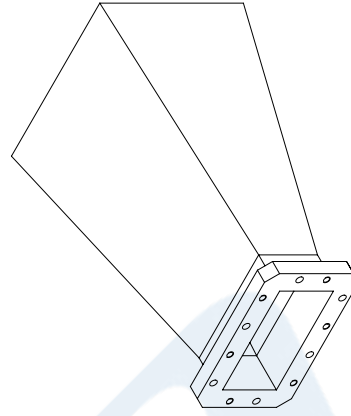
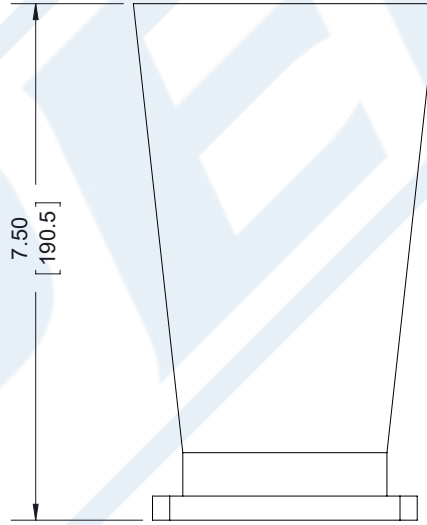
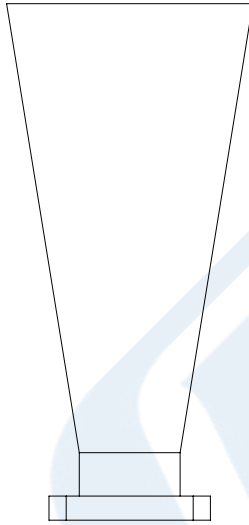
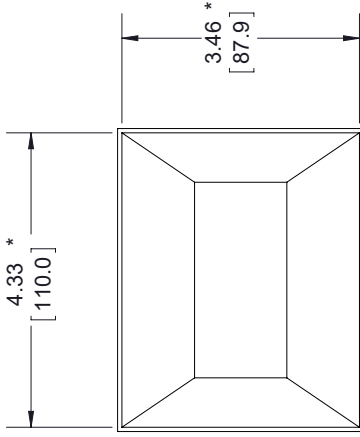
Click the following link (or enter part number in "SEARCH" on website) to obtain additional part information including price, inventory and certifications: [WR-284 Waveguide Standard Gain Horn Antenna Operating From 2.6 GHz to 3.95 GHz With a Nominal 10 dBi Gain With CMR-284 Flange PE9863-10](https://www.pasternack.com/standard-gain-horn-waveguide-size-wr284-pe9863-10-p.aspx)

URL: <https://www.pasternack.com/standard-gain-horn-waveguide-size-wr284-pe9863-10-p.aspx>

The information contained in this document is accurate to the best of our knowledge and representative of the part described herein. It may be necessary to make modifications to the part and/or the documentation of the part, in order to implement improvements. Pasternack reserves the right to make such changes as required. Unless otherwise stated, all specifications are nominal. Pasternack does not make any representation or warranty regarding the suitability of the part described herein for any particular purpose, and Pasternack does not assume any liability arising out of the use of any part or documentation.

PE9863-10 CAD Drawing

WR-284 Waveguide Standard Gain Horn Antenna Operating From 2.6 GHz to 3.95 GHz With a Nominal 10 dBi Gain With CMR-284 Flange



STANDARD TOLERANCES	
.X	±0.2
.XX	±0.01
.XXX	±0.005

*STANDARD TOLERANCES APPLY ONLY TO DIMENSIONS IN INCHES

* INSIDE DIMENSION

<p>Pasternack Enterprises, Inc. P.O. Box 16759 Irvine CA 92623 Phone: (949) 261-1920 Fax: (949) 261-7451 Website: www.pasternack.com E-Mail: sales@pasternack.com</p>	DWG TITLE	PE9863-10	NOTES: 1. UNLESS OTHERWISE SPECIFIED ALL DIMENSIONS ARE NOMINAL. 2. ALL SPECIFICATIONS ARE SUBJECT TO CHANGE WITHOUT NOTICE AT ANY TIME 3. DIMENSIONS ARE IN INCHES [mm].					
	CAGE CODE	53919	CAD FILE	091517	SCALE	N/A	SIZE	A