



Precision N Male to N Female Radius Right Angle Adapter

RF Adapters Technical Data Sheet

PE91350

Configuration

- N Male Connector 1
- N Female Connector 2
- 50 Ohm
- Precision Design
- Radius Right Angle Body Geometry

Features

- Max VSWR of 1.25:1 up to 18 GHz
- Type N interface compliant with MIL-STD-348
- Contact plating according to ASTM B-488
- Gold Plated Beryllium Copper Contact

Applications

- General Purpose Test
- Precision Test & Measurement

Description

Pasternack's PE91350 precision type N male to type N female radius right angle adapter is part of our full line of RF components available for same-day shipping. Our type N to type N adapter has a male to female gender configuration built of durable stainless steel in a precision design. PE91350 type N male to type N female adapter operates to 18 GHz. The Pasternack RF adapter provides excellent VSWR of 1.25:1 maximum. This radius right angle type N to type N adapter allows for easier connections in tight spaces.

RF adapters are often used to enable connections between two connector types that would otherwise not mate. Certain adapter configurations can also be used to protect connectors on expensive equipment where the number of connect/disconnect cycles is high. An RF, microwave or millimeter wave adapter is connected to the equipment, and the commonly changed connection is made with the adapter which can be easily replaced when it wears out after high usage; such adapters are referred to as connector savers. Pasternack also offers bulkhead, panel mount, hermetically sealed, reverse polarity, and isolated ground adapter varieties to serve all of your RF, microwave and millimeter wave needs.

Electrical Specifications

Description	Minimum	Typical	Maximum	Units
Frequency Range	DC		18	GHz
VSWR			1.25:1	
Insertion Loss			0.4	dB
Operating Voltage (AC)			500	Vrms
Dielectric Withstanding Voltage (AC)			2,500	Vrms
Inner Conductor DC Resistance			2.5	mOhms
Outer Conductor DC Resistance			0.2	mOhms
Insulation Resistance	5,000			MOhms

Electrical Specification Notes:
 RF Leakage: -90dB min. from 2 - 3 GHz

Click the following link (or enter part number in "SEARCH" on website) to obtain additional part information including price, inventory and certifications: [Precision N Male to N Female Radius Right Angle Adapter PE91350](#)



Precision N Male to N Female Radius Right Angle Adapter

RF Adapters Technical Data Sheet

PE91350

Mechanical Specifications

Size

Length	1.49 in [37.85 mm]
Width	0.8 in [20.32 mm]
Height	1.42 in [36.07 mm]
Weight	0.112 lbs [50.8 g]

Description	Connector 1	Connector 2
Type	N Male	N Female
Polarity	Standard	Standard
Interface Specification	MIL-STD-348	MIL-STD-348
Mating Cycles	500	500
Mating Torque	15 in-lbs [1.70 Nm] min	

Material Specifications

Description	Connector 1		Connector 2	
	Material	Plating	Material	Plating
Type	N Male		N Female	
Contact	Beryllium Copper	Gold ASTM B-488	Beryllium Copper	Gold ASTM B-488
Insulation	PTFE		PTFE	
Outer Conductor			Passivated Stainless Steel	ASTM A-967
Body	Passivated Stainless Steel	ASTM A-967	Passivated Stainless Steel	ASTM A-967
Gasket	Silicone		Silicone	
Coupling Nut	Passivated Stainless Steel		ASTM A-967	

Environmental Specifications

Temperature

Operating Range -65 to +165 deg C

Shock
Vibration

MIL-STD-202, Method 213, Test Cond. I
MIL-STD-202, Method 204, Test Cond. B.

Click the following link (or enter part number in "SEARCH" on website) to obtain additional part information including price, inventory and certifications: [Precision N Male to N Female Radius Right Angle Adapter PE91350](#)





Precision N Male to N Female Radius Right Angle Adapter

RF Adapters Technical Data Sheet

PE91350

Compliance Certifications (see [product page](#) for current document)

Plotted and Other Data

Notes:

Precision N Male to N Female Radius Right Angle Adapter from Pasternack Enterprises has same day shipment for domestic and International orders. Our RF, microwave and millimeter wave products maintain a 99% availability and are part of the broadest selection in the industry.

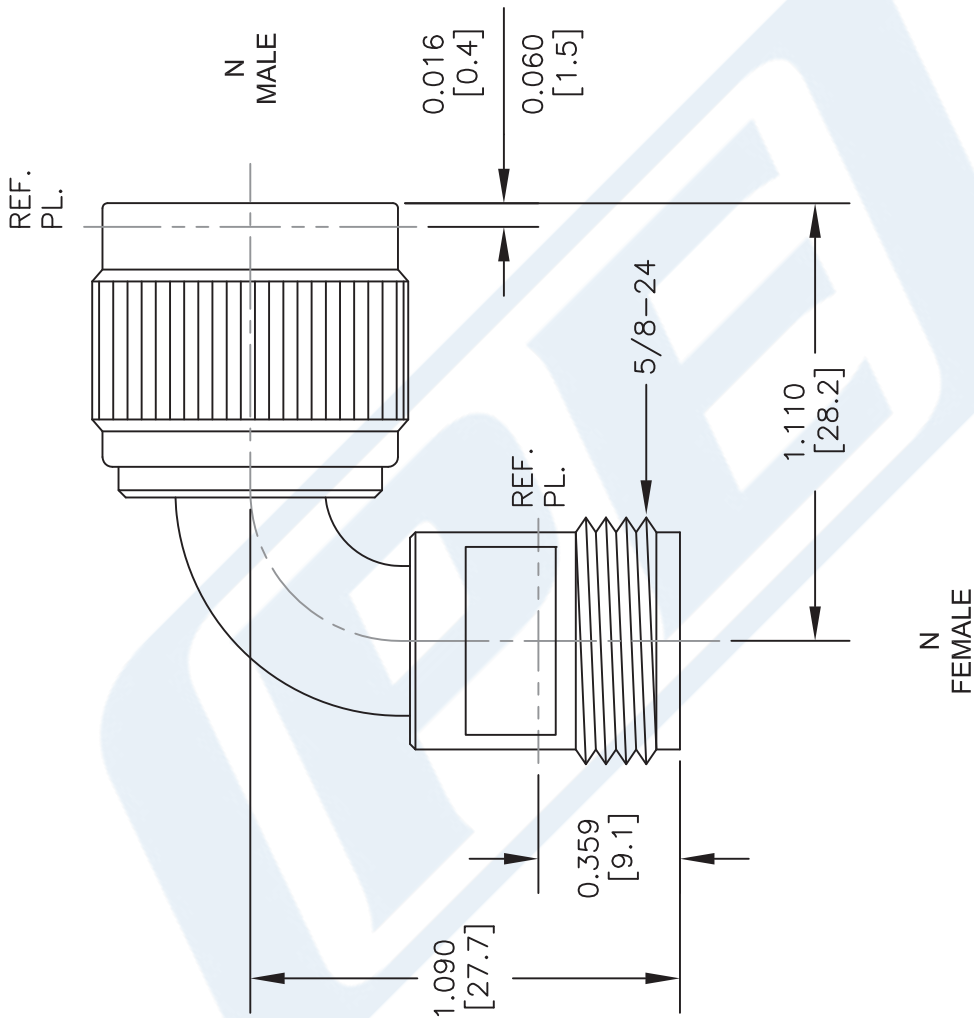
Click the following link (or enter part number in "SEARCH" on website) to obtain additional part information including price, inventory and certifications: [Precision N Male to N Female Radius Right Angle Adapter PE91350](#)

URL: <https://www.pasternack.com/n-male-n-female-radius-right-angle-adapter-pe91350-p.aspx>

The information contained in this document is accurate to the best of our knowledge and representative of the part described herein. It may be necessary to make modifications to the part and/or the documentation of the part, in order to implement improvements. Pasternack reserves the right to make such changes as required. Unless otherwise stated, all specifications are nominal. Pasternack does not make any representation or warranty regarding the suitability of the part described herein for any particular purpose, and Pasternack does not assume any liability arising out of the use of any part or documentation.

PE91350 CAD Drawing

Precision N Male to N Female Radius Right Angle Adapter



DWG TITLE

PE91350

NOTES:
 1. UNLESS OTHERWISE SPECIFIED ALL DIMENSIONS ARE NOMINAL.
 2. ALL SPECIFICATIONS ARE SUBJECT TO CHANGE WITHOUT NOTICE AT ANY TIME.
 3. DIMENSIONS ARE IN INCHES [mm].

FSCM NO. 53919

CAD FILE 032916

SCALE N/A

SIZE A

2233

(PE) PASTERNAK®
 THE ENGINEER'S RF SOURCE

Pasternack Enterprises, Inc.
 P.O. Box 16759 | Irvine | CA | 92623
 Phone: (949) 261-1920 | Fax: (949) 261-7451
 Website: www.pasternack.com | E-Mail: sales@pasternack.com