



SMA Female to SMP Female Adapter

TECHNICAL DATA SHEET

PE91308

Configuration

| | |
|----------------|------------|
| Connector 1 | SMA Female |
| Impedance 1 | 50 Ohms |
| Connector 2 | SMP Female |
| Impedance 2 | 50 Ohms |
| Adapter Design | Standard |
| Body Style | Straight |

Electrical Specifications

| | |
|-----------------|--------------|
| Frequency Range | DC to 18 GHz |
| Maximum VSWR | 1.2:1 |

Mechanical Specifications

Size

| | |
|---------------------|----------------|
| Length, in [mm] | 0.669 [16.99] |
| Width/Dia., in [mm] | 0.279528 [7.1] |

Connector 1

| | |
|--------------------------------------|----------------------------|
| Type | SMA Female |
| Inner Conductor Material and Plating | Beryllium Copper, Gold |
| Body Material and Plating | Passivated Stainless Steel |
| Dielectric Type | PTFE |

Connector 2

| | |
|--------------------------------------|------------------------|
| Type | SMP Female |
| Inner Conductor Material and Plating | Beryllium Copper, Gold |
| Body Material and Plating | Beryllium Copper, Gold |
| Dielectric Type | PTFE |

Environmental Specifications

Temperature

| | |
|-----------------|-------------------|
| Operating Range | -45 to +120 deg C |
|-----------------|-------------------|

Compliance Certifications (visit www.Pasternack.com for current document)

| | |
|-----------------|------------|
| RoHS Compliant | |
| REACH Compliant | 06/06/2014 |

Click the following link (or enter part number in "SEARCH" on website) to obtain additional part information including price, inventory and certifications: [SMA Female to SMP Female Adapter PE91308](#)





SMA Female to SMP Female Adapter

TECHNICAL DATA SHEET

PE91308

Plotted and Other Data

Notes:

- Values at +25 °C, sea level

SMA Female to SMP Female Adapter from Pasternack Enterprises has same day shipment for domestic and International orders. Our RF, microwave and millimeter wave products maintain a 99% availability and are part of the broadest selection in the industry.

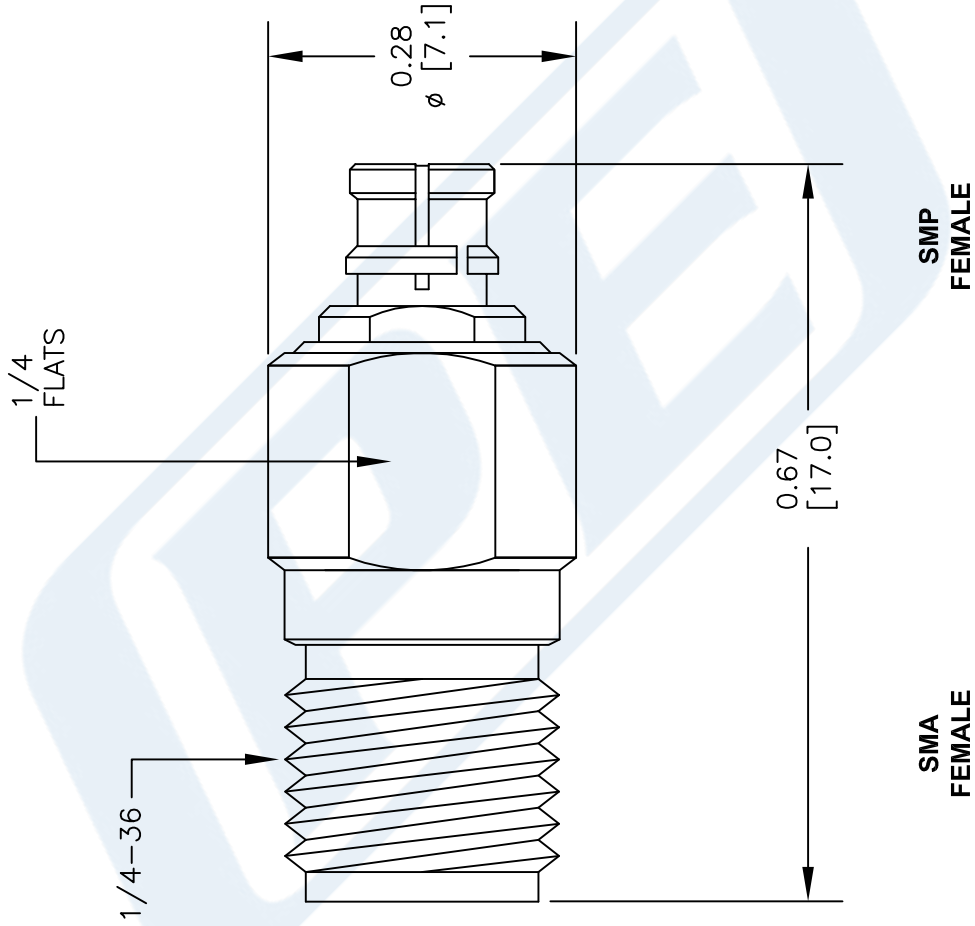
Click the following link (or enter part number in "SEARCH" on website) to obtain additional part information including price, inventory and certifications: [SMA Female to SMP Female Adapter PE91308](#)

URL: <http://www.pasternack.com/sma-female-smp-female-straight-adapter-pe91308-p.aspx>

The information contained in this document is accurate to the best of our knowledge and representative of the part described herein. It may be necessary to make modifications to the part and/or the documentation of the part, in order to implement improvements. Pasternack reserves the right to make such changes as required. Unless otherwise stated, all specifications are nominal. Pasternack does not make any representation or warranty regarding the suitability of the part described herein for any particular purpose, and Pasternack does not assume any liability arising out of the use of any part or documentation.

PE91308 CAD Drawing

SMA Female to SMP Female Adapter



DWG TITLE

PE91308

NOTES:
 1. UNLESS OTHERWISE SPECIFIED ALL DIMENSIONS ARE NOMINAL.
 2. ALL SPECIFICATIONS ARE SUBJECT TO CHANGE WITHOUT NOTICE AT ANY TIME.
 3. DIMENSIONS ARE IN INCHES [mm].

FSCM NO. 53919

CAD FILE 100614

SCALE N/A

SIZE A

150



Pasternack Enterprises, Inc.
 P.O. Box 16759 | Irvine | CA | 92623
 Phone: (949) 261-1920 | Fax: (949) 261-7451
 Website: www.pasternack.com | E-Mail: sales@pasternack.com