



2.92mm Female to 2.4mm Female Adapter

TECHNICAL DATA SHEET

PE91295

Configuration

Connector 1	2.92mm Female
Impedance 1	50 Ohms
Connector 2	2.4mm Female
Impedance 2	50 Ohms
Adapter Design	Standard
Body Style	Straight

Electrical Specifications

Frequency Range	DC to 40 GHz
Maximum VSWR	1.15:1

Mechanical Specifications

Size

Length, in [mm]	0.748 [19]
-----------------	------------

Connector 1

Type	2.92mm Female
Mating Cycles	500
Inner Conductor Material and Plating	Beryllium Copper, Gold
Inner Conductor Plating Specification	MIL-G-45204
Torque, in-lbs [Nm]	8 [0.9]
Body Material and Plating	Passivated Stainless Steel
Dielectric Type	Ultem 1000

Connector 2

Type	2.4mm Female
Mating Cycles	500
Inner Conductor Material and Plating	Beryllium Copper, Gold
Inner Conductor Plating Specification	MIL-G-45204
Torque, in-lbs [Nm]	8 [0.9]
Body Material and Plating	Passivated Stainless Steel
Dielectric Type	Ultem 1000

Environmental Specifications

Temperature

Operating Range	-55 to +150 deg C
-----------------	-------------------

Compliance Certifications (visit www.Pasternack.com for current document)

Not RoHS Compliant

Click the following link (or enter part number in "SEARCH" on website) to obtain additional part information including price, inventory and certifications: [2.92mm Female to 2.4mm Female Adapter PE91295](#)



2.92mm Female to 2.4mm Female Adapter

TECHNICAL DATA SHEET

PE91295

Plotted and Other Data

Notes:

- Values at +25 °C, sea level

2.92mm Female to 2.4mm Female Adapter from Pasternack Enterprises has same day shipment for domestic and International orders. Our RF, microwave and millimeter wave products maintain a 99% availability and are part of the broadest selection in the industry.

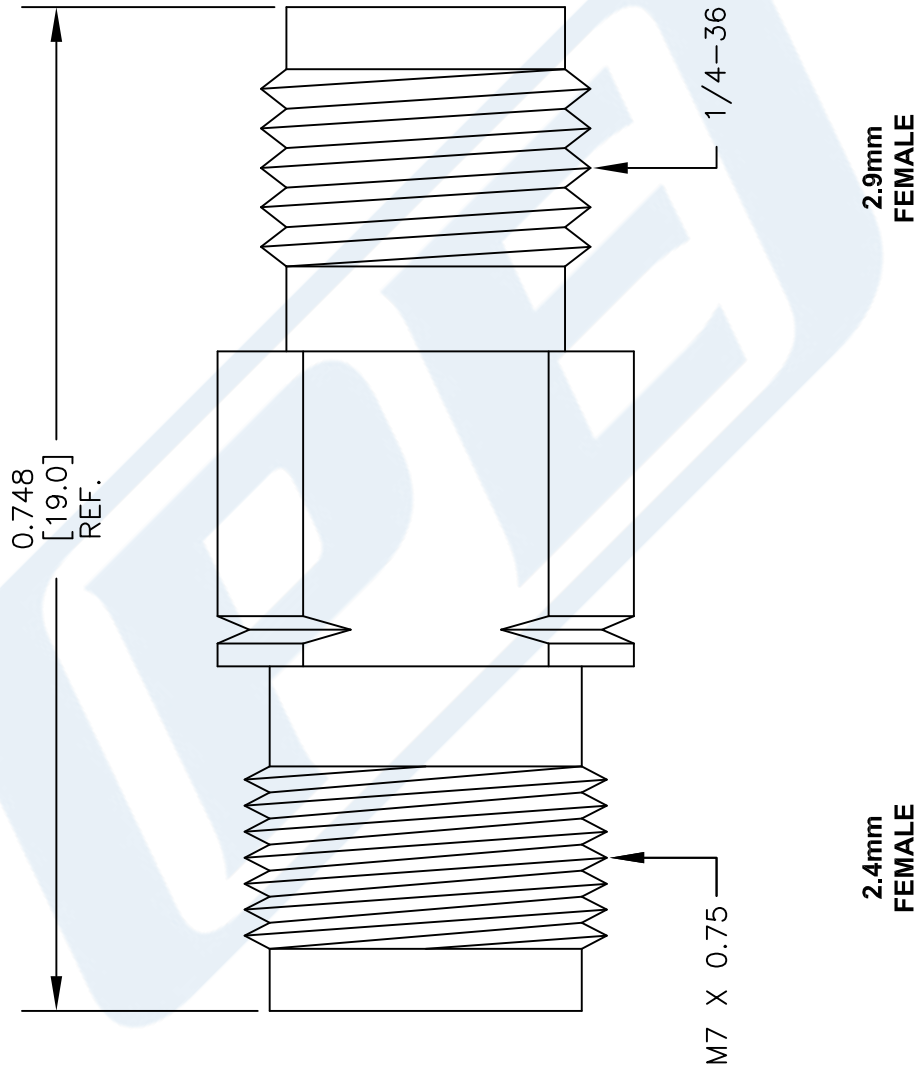
Click the following link (or enter part number in "SEARCH" on website) to obtain additional part information including price, inventory and certifications: [2.92mm Female to 2.4mm Female Adapter PE91295](http://www.pasternack.com/2.92mm-female-to-2.4mm-female-straight-adapter-pe91295-p.aspx)

URL: <http://www.pasternack.com/2.92mm-female-to-2.4mm-female-straight-adapter-pe91295-p.aspx>

The information contained in this document is accurate to the best of our knowledge and representative of the part described herein. It may be necessary to make modifications to the part and/or the documentation of the part, in order to implement improvements. Pasternack reserves the right to make such changes as required. Unless otherwise stated, all specifications are nominal. Pasternack does not make any representation or warranty regarding the suitability of the part described herein for any particular purpose, and Pasternack does not assume any liability arising out of the use of any part or documentation.

PE91295 CAD Drawing

2.92mm Female to 2.4mm Female Adapter



DWG TITLE

PE91295

NOTES:
1. UNLESS OTHERWISE SPECIFIED ALL DIMENSIONS ARE NOMINAL.
2. ALL SPECIFICATIONS ARE SUBJECT TO CHANGE WITHOUT NOTICE AT ANY TIME.
3. DIMENSIONS ARE IN INCHES (mm).

FSCM NO. 53919

CAD FILE 020515

SCALE N/A

SIZE A

150

PE PASTERNAK
THE ENGINEER'S RF SOURCE

Pasternack Enterprises, Inc.
P.O. Box 16759 | Irvine | CA | 92623
Phone: (949) 261-1920 | Fax: (949) 261-7451
Website: www.pasternack.com | E-Mail: sales@pasternack.com