



Ruggedized 2.4mm NMD Female to SMA Female Adapter

RF Adapters Technical Data Sheet

PE91146

Configuration

- 2.4mm NMD Female Connector 1
- SMA Female Connector 2
- 50 Ohm
- Ruggedized Design
- Straight Body Geometry

Features

- Max VSWR of 1.2:1 up to 27 GHz
- 4 µin minimum contact plating
- Gold Plated Beryllium Copper Contact

Applications

- Allows Connection Between Series
- General Purpose Test

Description

Pasternack's PE91146 ruggedized 2.4mm NMD female to SMA female adapter is part of our full line of RF components available for same-day shipping. Our 2.4mm NMD to SMA adapter has a female to female gender configuration in a ruggedized design. PE91146 2.4mm NMD female to SMA female adapter operates to 27 GHz. The Pasternack RF adapter provides excellent VSWR of 1.2:1 maximum.

RF adapters are often used to enable connections between two connector types that would otherwise not mate. Certain adapter configurations can also be used to protect connectors on expensive equipment where the number of connect/disconnect cycles is high. An RF, microwave or millimeter wave adapter is connected to the equipment, and the commonly changed connection is made with the adapter which can be easily replaced when it wears out after high usage; such adapters are referred to as connector savers. Pasternack also offers bulkhead, panel mount, hermetically sealed, reverse polarity, and isolated ground adapter varieties to serve all of your RF, microwave and millimeter wave needs.

Electrical Specifications

Description	Minimum	Typical	Maximum	Units
Frequency Range	DC		27	GHz
VSWR			1.2:1	

Electrical Specification Notes:
 Values at 25°C, sea level.

Mechanical Specifications

Size	
Length	1.43 in [36.32 mm]
Width	0.74 in [18.8 mm]
Weight	0.068 lbs [30.84 g]

Click the following link (or enter part number in "SEARCH" on website) to obtain additional part information including price, inventory and certifications: [Ruggedized 2.4mm NMD Female to SMA Female Adapter PE91146](#)



Ruggedized 2.4mm NMD Female to SMA Female Adapter

RF Adapters Technical Data Sheet

PE91146

Description	Connector 1	Connector 2
Type	2.4mm NMD Female	SMA Female
Polarity	Standard	Standard

Material Specifications

Description	Connector 1		Connector 2	
	Material	Plating	Material	Plating
Type	2.4mm NMD Female		SMA Female	
Contact	Beryllium Copper	Gold 4 µin minimum	Beryllium Copper	Gold 4 µin minimum
Insulation	PSU		PTFE	
Outer Conductor	Passivated Stainless Steel		Passivated Stainless Steel	
Coupling Nut	Passivated Stainless Steel			

Compliance Certifications (see [product page](#) for current document)

Ruggedized 2.4mm NMD Female to SMA Female Adapter from Pasternack Enterprises has same day shipment for domestic and International orders. Our RF, microwave and millimeter wave products maintain a 99% availability and are part of the broadest selection in the industry.

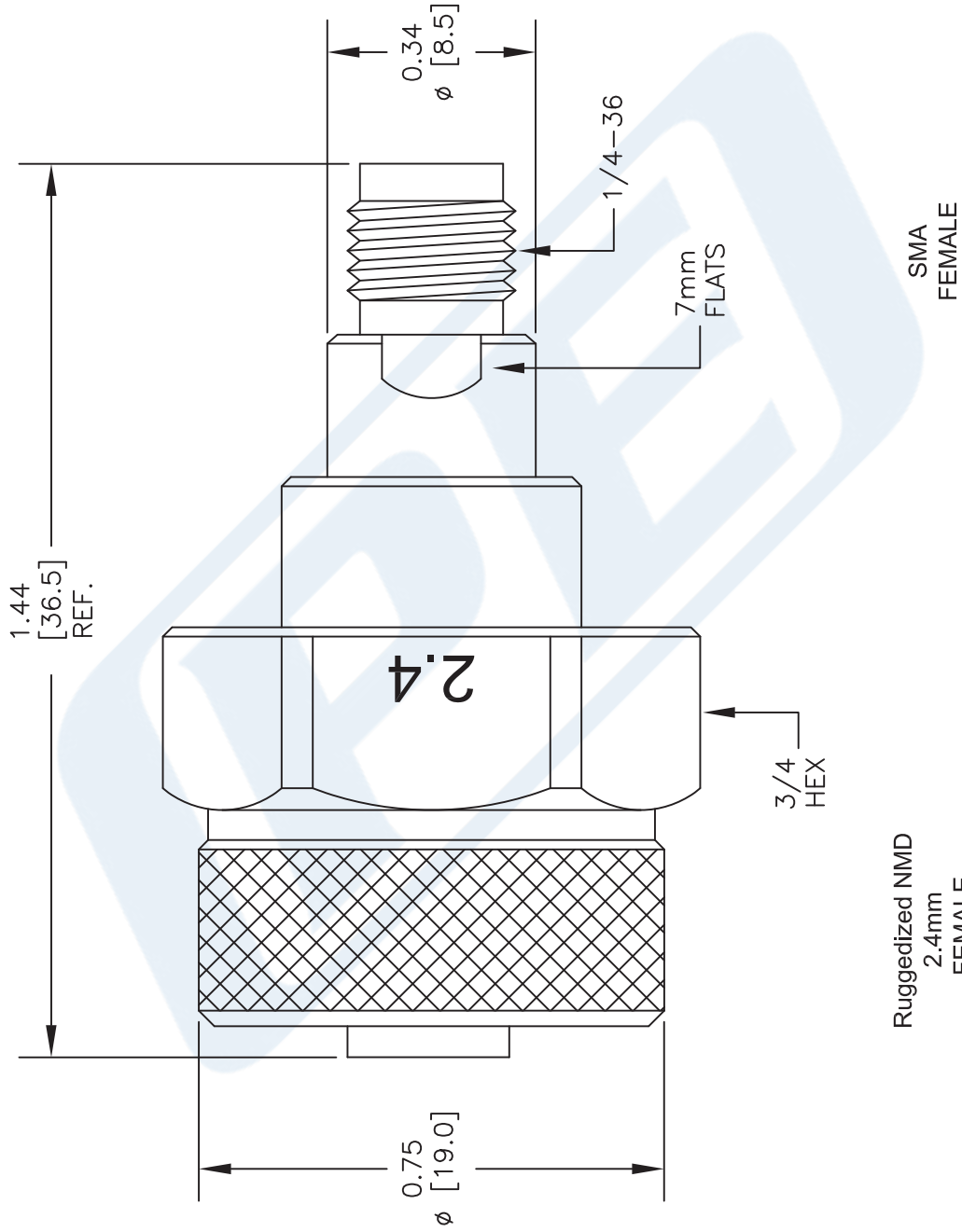
Click the following link (or enter part number in "SEARCH" on website) to obtain additional part information including price, inventory and certifications: [Ruggedized 2.4mm NMD Female to SMA Female Adapter PE91146](#)

URL: <https://www.pasternack.com/2.4mm-nmd-female-sma-female-straight-adapter-pe91146-p.aspx>

The information contained in this document is accurate to the best of our knowledge and representative of the part described herein. It may be necessary to make modifications to the part and/or the documentation of the part, in order to implement improvements. Pasternack reserves the right to make such changes as required. Unless otherwise stated, all specifications are nominal. Pasternack does not make any representation or warranty regarding the suitability of the part described herein for any particular purpose, and Pasternack does not assume any liability arising out of the use of any part or documentation.

PE91146 CAD Drawing

Ruggedized 2.4mm NMD Female to SMA Female Adapter



DWG TITLE

PE91146

NOTES:
 1. UNLESS OTHERWISE SPECIFIED ALL DIMENSIONS ARE NOMINAL.
 2. ALL SPECIFICATIONS ARE SUBJECT TO CHANGE WITHOUT NOTICE AT ANY TIME.
 3. DIMENSIONS ARE IN INCHES [mm].

FSCM NO. 53919

CAD FILE 120315

SCALE N/A

SIZE A

2233



Pasternack Enterprises, Inc.
 P.O. Box 16759 | Irvine | CA | 92623
 Phone: (949) 261-1920 | Fax: (949) 261-7451
 Website: www.pasternack.com | E-Mail: sales@pasternack.com