



75 Ohm TNC Male to F Female Adapter

RF Adapters Technical Data Sheet

PE91080

Configuration

- TNC Male Connector 1
- F Female Connector 2
- 75 Ohms
- Straight Body Geometry

Features

- Max VSWR of 1.35:1 up to 2 GHz
- TNC Interface compliant with MIL-STD-348
- F Interface compliant with MIL-C-39012
- Gold over Nickel Plated Beryllium Copper Contact
- Contact Plating per MIL-G-45204

Applications

- Allows Connection Between Series
- General Purpose Test

Description

Pasternack's PE91080 75 ohm TNC male to type F female adapter is part of our full line of RF components available for same-day shipping. Our TNC to type F adapter has a male to female gender configuration. PE91080 TNC male to type F female adapter operates to 2 GHz. The Pasternack RF adapter provides good VSWR of 1.35:1 maximum.

RF adapters are often used to enable connections between two connector types that would otherwise not mate. Certain adapter configurations can also be used to protect connectors on expensive equipment where the number of connect/disconnect cycles is high. An RF, microwave or millimeter wave adapter is connected to the equipment, and the commonly changed connection is made with the adapter which can be easily replaced when it wears out after high usage; such adapters are referred to as connector savers. Pasternack also offers bulkhead, panel mount, hermetically sealed, reverse polarity, and isolated ground adapter varieties to serve all of your RF, microwave and millimeter wave needs.

Electrical Specifications

Description	Minimum	Typical	Maximum	Units
Frequency Range	DC		2	GHz
VSWR			1.35:1	
Operating Voltage (AC)			500	Vrms
Dielectric Withstanding Voltage (AC)			1,500	Vrms
Insulation Resistance	5,000			MOhms

Electrical Specification Notes:
 Values at 25°C, sea level.

Mechanical Specifications

Size	
Length	1.19 in [30.23 mm]
Width	0.6 in [15.24 mm]
Weight	0.043 lbs [19.5 g]

Click the following link (or enter part number in "SEARCH" on website) to obtain additional part information including price, inventory and certifications: [75 Ohm TNC Male to F Female Adapter PE91080](#)





75 Ohm TNC Male to F Female Adapter

RF Adapters Technical Data Sheet

PE91080

Description	Connector 1	Connector 2
Type	TNC Male	F Female
Polarity	Standard	Standard
Interface Specification	MIL-STD-348	MIL-C-39012
Hex Size	7/16 in.	

Material Specifications

Description	Connector 1		Connector 2	
	Material	Plating	Material	Plating
Type	TNC Male		F Female	
Contact	Beryllium Copper	Gold over Nickel MIL-G-45204	Beryllium Copper	Gold over Nickel MIL-G-45204
Insulation	PTFE		PTFE	
Outer Conductor			Brass	Nickel QQ-P-35
Body	Brass	Nickel QQ-N-290		
Coupling Nut	Brass	Nickel QQ-N-290		

Environmental Specifications

Temperature

Operating Range -65 to +165 deg C

Compliance Certifications (see [product page](#) for current document)

Plotted and Other Data

Notes:

Click the following link (or enter part number in "SEARCH" on website) to obtain additional part information including price, inventory and certifications: [75 Ohm TNC Male to F Female Adapter PE91080](#)



75 Ohm TNC Male to F Female Adapter

RF Adapters Technical Data Sheet

PE91080

75 Ohm TNC Male to F Female Adapter from Pasternack Enterprises has same day shipment for domestic and International orders. Our RF, microwave and millimeter wave products maintain a 99% availability and are part of the broadest selection in the industry.

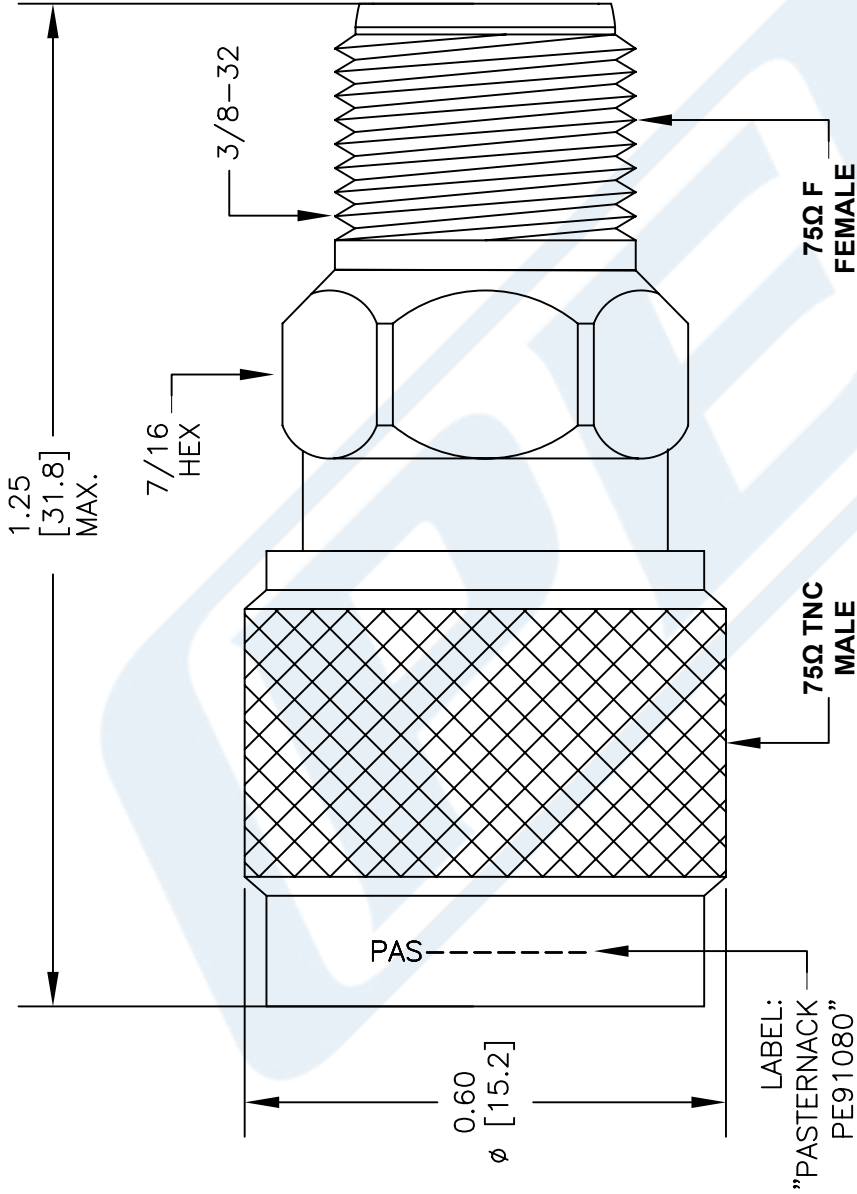
Click the following link (or enter part number in "SEARCH" on website) to obtain additional part information including price, inventory and certifications: [75 Ohm TNC Male to F Female Adapter PE91080](https://www.pasternack.com/tnc-male-f-female-straight-adapter-pe91080-p.aspx)

URL: <https://www.pasternack.com/tnc-male-f-female-straight-adapter-pe91080-p.aspx>

The information contained in this document is accurate to the best of our knowledge and representative of the part described herein. It may be necessary to make modifications to the part and/or the documentation of the part, in order to implement improvements. Pasternack reserves the right to make such changes as required. Unless otherwise stated, all specifications are nominal. Pasternack does not make any representation or warranty regarding the suitability of the part described herein for any particular purpose, and Pasternack does not assume any liability arising out of the use of any part or documentation.

PE91080 CAD Drawing

75 Ohm TNC Male to F Female Adapter



STANDARD TOLERANCES

DECIMAL ±0.02
 .XX ±0.005
 .XXX ±0.005

*STANDARD TOLERANCES APPLY ONLY TO DIMENSIONS IN INCHES

DWG TITLE

PE91080

NOTES:
 1. UNLESS OTHERWISE SPECIFIED ALL DIMENSIONS ARE NOMINAL.
 2. ALL SPECIFICATIONS ARE SUBJECT TO CHANGE WITHOUT NOTICE AT ANY TIME.
 3. DIMENSIONS ARE IN INCHES [mm].

PE PASTERNAK
 THE ENGINEER'S RF SOURCE
 Pasternack Enterprises, Inc.
 P.O. Box 16759 | Irvine | CA | 92623
 Phone: (949) 261-1920 | Fax: (949) 261-7451
 Website: www.pasternack.com | E-Mail: sales@pasternack.com

FSCM NO. 53919

CAD FILE 052616

SCALE N/A

SIZE A

3045