



Low PIM N Male to N Male Adapter Low VSWR

RF Adapters Technical Data Sheet

PE91034

Configuration

- N Male Connector 1
- N Male Connector 2
- 50 Ohms
- Low PIM Design
- Straight Body Geometry

Features

- Max Return Loss of -18 dB up to 12.4 GHz
- PIM levels lower than -165 dBc
- N Interface compliant with MIL-STD-348
- Silver Plated Brass Contact
- 200 µin min Silver Contact Plating

Applications

- General Purpose Test

Description

Pasternack's PE91034 Low PIM type N male to type N male adapter is part of our full line of RF components available for same-day shipping. Our type N to type N adapter has a male to male gender configuration in a Low PIM design. PE91034 type N male to type N male adapter operates to 12.4 GHz.

RF adapters are often used to enable connections between two connector types that would otherwise not mate. Certain adapter configurations can also be used to protect connectors on expensive equipment where the number of connect/disconnect cycles is high. An RF, microwave or millimeter wave adapter is connected to the equipment, and the commonly changed connection is made with the adapter which can be easily replaced when it wears out after high usage; such adapters are referred to as connector savers. Pasternack also offers bulkhead, panel mount, hermetically sealed, reverse polarity, and isolated ground adapter varieties to serve all of your RF, microwave and millimeter wave needs.

Electrical Specifications

| Description | Minimum | Typical | Maximum | Units |
|--------------------------------------|---------|---------|---------|-------|
| Frequency Range | DC | | 12.4 | GHz |
| Return Loss | | | -18 | dB |
| Passive Intermodulation | | | -165 | dBc |
| Dielectric Withstanding Voltage (AC) | | | 2,500 | Vrms |

Performance by Frequency

| Description | F1 | F2 | F3 | F4 | F5 | Units |
|------------------|---------|-----------|----|----|----|-------|
| Frequency Range | DC to 2 | 2 to 12.4 | | | | GHz |
| Return Loss, Max | -28 | -18 | | | | dB |

Electrical Specification Notes:
 Values at 25°C, sea level.

Click the following link (or enter part number in "SEARCH" on website) to obtain additional part information including price, inventory and certifications: [Low PIM N Male to N Male Adapter Low VSWR PE91034](#)



Low PIM N Male to N Male Adapter Low VSWR

RF Adapters Technical Data Sheet

PE91034

Mechanical Specifications

Size

| | |
|--------|--------------------|
| Length | 1.6 in [40.64 mm] |
| Width | 0.86 in [21.84 mm] |
| Weight | 0.14 lbs [63.5 g] |

| Description | Connector 1 | Connector 2 |
|-------------------------|-----------------------------------|-----------------------------------|
| Type | N Male | N Male |
| Polarity | Standard | Standard |
| Interface Specification | MIL-STD-348 | MIL-STD-348 |
| Mating Cycles | 500 | 500 |
| Hex Size | 13/16 in. | 13/16 in. |
| Mating Torque | 12 to 15 in-lbs [1.36 to 1.70 Nm] | 12 to 15 in-lbs [1.36 to 1.70 Nm] |

Material Specifications

| Description | Connector 1 | | Connector 2 | |
|--------------|-------------|------------------------------|-------------|------------------------------|
| | Material | Plating | Material | Plating |
| Type | N Male | | N Male | |
| Contact | Brass | Silver 200 µin minimum | Brass | Silver 200 µin minimum |
| Insulation | PTFE | | PTFE | |
| Body | Brass | Tri-Metal 100 µin minimum | Brass | Tri-Metal 100 µin minimum |
| Coupling Nut | Brass | Tri-Metal 100 µin minimum | Brass | Tri-Metal 100 µin minimum |

Environmental Specifications

Temperature

| | |
|-----------------|-------------------|
| Operating Range | -65 to +165 deg C |
|-----------------|-------------------|

Compliance Certifications (see [product page](#) for current document)

Plotted and Other Data

Notes:

Click the following link (or enter part number in "SEARCH" on website) to obtain additional part information including price, inventory and certifications: [Low PIM N Male to N Male Adapter Low VSWR PE91034](#)



Low PIM N Male to N Male Adapter Low VSWR

RF Adapters Technical Data Sheet

PE91034

Low PIM N Male to N Male Adapter Low VSWR from Pasternack Enterprises has same day shipment for domestic and International orders. Our RF, microwave and millimeter wave products maintain a 99% availability and are part of the broadest selection in the industry.

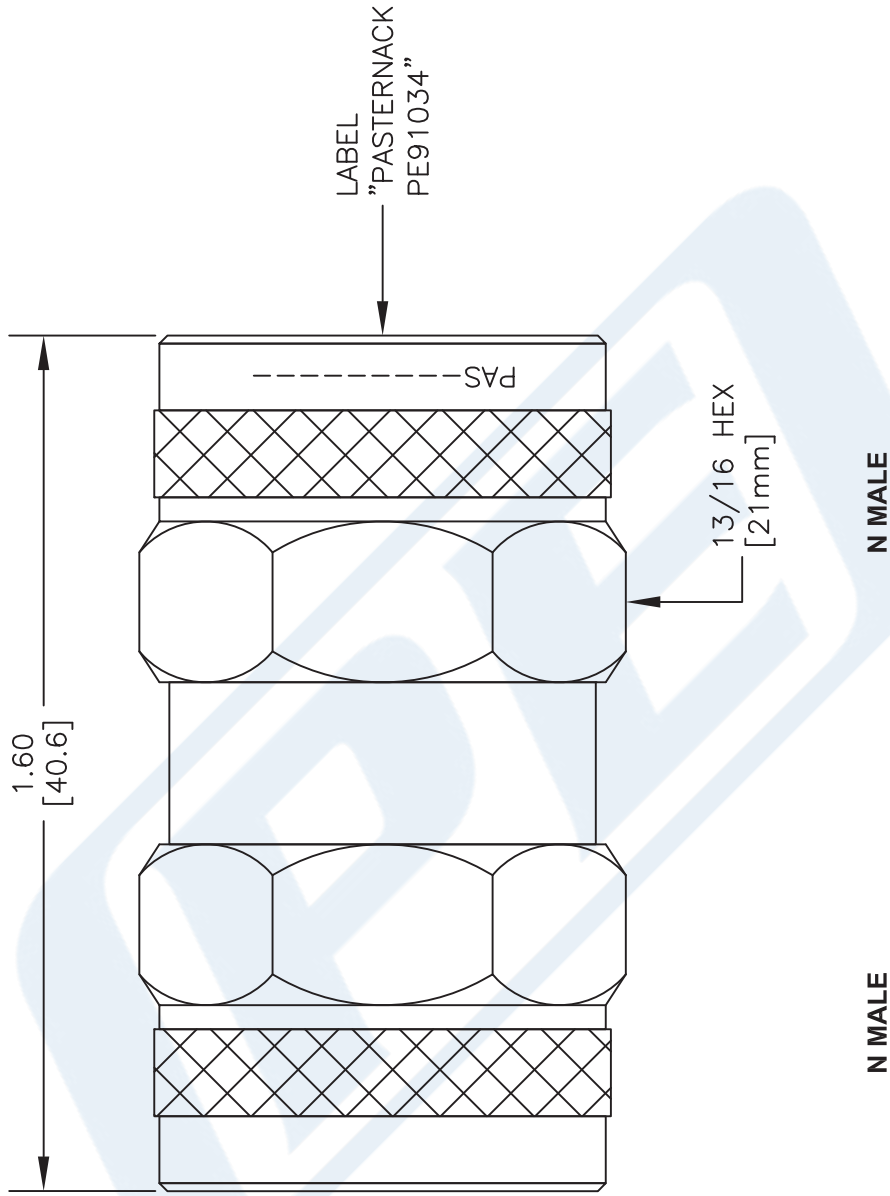
Click the following link (or enter part number in "SEARCH" on website) to obtain additional part information including price, inventory and certifications: [Low PIM N Male to N Male Adapter Low VSWR PE91034](https://www.pasternack.com/n-male-n-male-straight-adapter-pe91034-p.aspx)

URL: <https://www.pasternack.com/n-male-n-male-straight-adapter-pe91034-p.aspx>

The information contained in this document is accurate to the best of our knowledge and representative of the part described herein. It may be necessary to make modifications to the part and/or the documentation of the part, in order to implement improvements. Pasternack reserves the right to make such changes as required. Unless otherwise stated, all specifications are nominal. Pasternack does not make any representation or warranty regarding the suitability of the part described herein for any particular purpose, and Pasternack does not assume any liability arising out of the use of any part or documentation.

PE91034 CAD Drawing

Low PIM N Male to N Male Adapter Low VSWR



STANDARD TOLERANCES

.X ±0.2
 .XX ±0.1
 .XXX ±0.05

*STANDARD TOLERANCES APPLY ONLY TO DIMENSIONS IN INCHES



Pasternack Enterprises, Inc.
 P.O. Box 16759 | Irvine | CA | 92623
Phone: (949) 261-1920 | **Fax:** (949) 261-7451
Website: www.pasternack.com | **E-Mail:** sales@pasternack.com

DWG TITLE

PE91034

FSCM NO. 53919

NOTES:
 1. UNLESS OTHERWISE SPECIFIED ALL DIMENSIONS ARE NOMINAL.
 2. ALL SPECIFICATIONS ARE SUBJECT TO CHANGE WITHOUT NOTICE AT ANY TIME.
 3. DIMENSIONS ARE IN INCHES [mm].

CAD FILE 083016

SCALE N/A

SIZE A

41742