



Low PIM 7/16 DIN Male to 7/16 DIN Female Adapter Low VSWR

RF Adapters Technical Data Sheet

PE91028

Configuration

- 7/16 DIN Male Connector 1
- 7/16 DIN Female Connector 2
- 50 Ohms
- Low PIM Design
- Straight Body Geometry

Features

- Max Return Loss of -21 dB up to 8 GHz
- PIM levels lower than -170 dBc
- 7/16 DIN Interface compliant with IEC 169-4
- Silver Plated Contact
- 200 µin min Silver Contact Plating

Applications

- Connector Saver
- General Purpose Test

Description

Pasternack's PE91028 Low PIM 7/16 DIN male to 7/16 DIN female adapter is part of our full line of RF components available for same-day shipping. Our 7/16 DIN to 7/16 DIN adapter has a male to female gender configuration in a Low PIM design. PE91028 7/16 DIN male to 7/16 DIN female adapter operates to 8 GHz. The PE91028 Pasternack RF adapter can also be used as a connector saver to extend equipment life.

RF adapters are often used to enable connections between two connector types that would otherwise not mate. Certain adapter configurations can also be used to protect connectors on expensive equipment where the number of connect/disconnect cycles is high. An RF, microwave or millimeter wave adapter is connected to the equipment, and the commonly changed connection is made with the adapter which can be easily replaced when it wears out after high usage; such adapters are referred to as connector savers. Pasternack also offers bulkhead, panel mount, hermetically sealed, reverse polarity, and isolated ground adapter varieties to serve all of your RF, microwave and millimeter wave needs.

Electrical Specifications

Description	Minimum	Typical	Maximum	Units
Frequency Range	DC		8	GHz
Return Loss			-21	dB
Passive Intermodulation			-170	dBc
Dielectric Withstanding Voltage (AC)			3,500	Vrms

Performance by Frequency

Description	F1	F2	F3	F4	F5	Units
Frequency Range	DC to 1	1 to 5	5 to 8			GHz
Return Loss, Max	-38	-28	-21			dB

Electrical Specification Notes:
 Values at 25°C, sea level.

Click the following link (or enter part number in "SEARCH" on website) to obtain additional part information including price, inventory and certifications: [Low PIM 7/16 DIN Male to 7/16 DIN Female Adapter Low VSWR PE91028](#)



Low PIM 7/16 DIN Male to 7/16 DIN Female Adapter Low VSWR

RF Adapters Technical Data Sheet

PE91028

Mechanical Specifications

Size

Length	1.57 in [39.88 mm]
Width	1.25 in [31.75 mm]
Weight	0.7 lbs [317.51 g]

Description	Connector 1	Connector 2
Type	7/16 DIN Male	7/16 DIN Female
Polarity	Standard	Standard
Interface Specification	IEC 169-4 (0.232 dia. Enhanced)	IEC 169-4 (0.232 dia. Enhanced)
Mating Cycles	500	500
Hex Size	1 1/2 in.	
Mating Torque	221 to 265 in-lbs [24.97 to 29.95 Nm]	

Material Specifications

Description	Connector 1		Connector 2	
	Material	Plating	Material	Plating
Type	7/16 DIN Male		7/16 DIN Female	
Contact	Brass	Silver 200 µin minimum	Beryllium Copper	Silver 200 µin minimum
Insulation	PTFE		PTFE	
Outer Conductor			Brass	Tri-Metal 100 µin minimum
Body	Brass	Tri-Metal 100 µin minimum		
Coupling Nut	Brass	Tri-Metal 100 µin minimum		

Environmental Specifications

Temperature

Operating Range	-55 to +155 deg C
-----------------	-------------------

Compliance Certifications (see [product page](#) for current document)

Plotted and Other Data

Notes:

Click the following link (or enter part number in "SEARCH" on website) to obtain additional part information including price, inventory and certifications: [Low PIM 7/16 DIN Male to 7/16 DIN Female Adapter Low VSWR PE91028](#)



Low PIM 7/16 DIN Male to 7/16 DIN Female Adapter Low VSWR

RF Adapters Technical Data Sheet

PE91028

Low PIM 7/16 DIN Male to 7/16 DIN Female Adapter Low VSWR from Pasternack Enterprises has same day shipment for domestic and International orders. Our RF, microwave and millimeter wave products maintain a 99% availability and are part of the broadest selection in the industry.

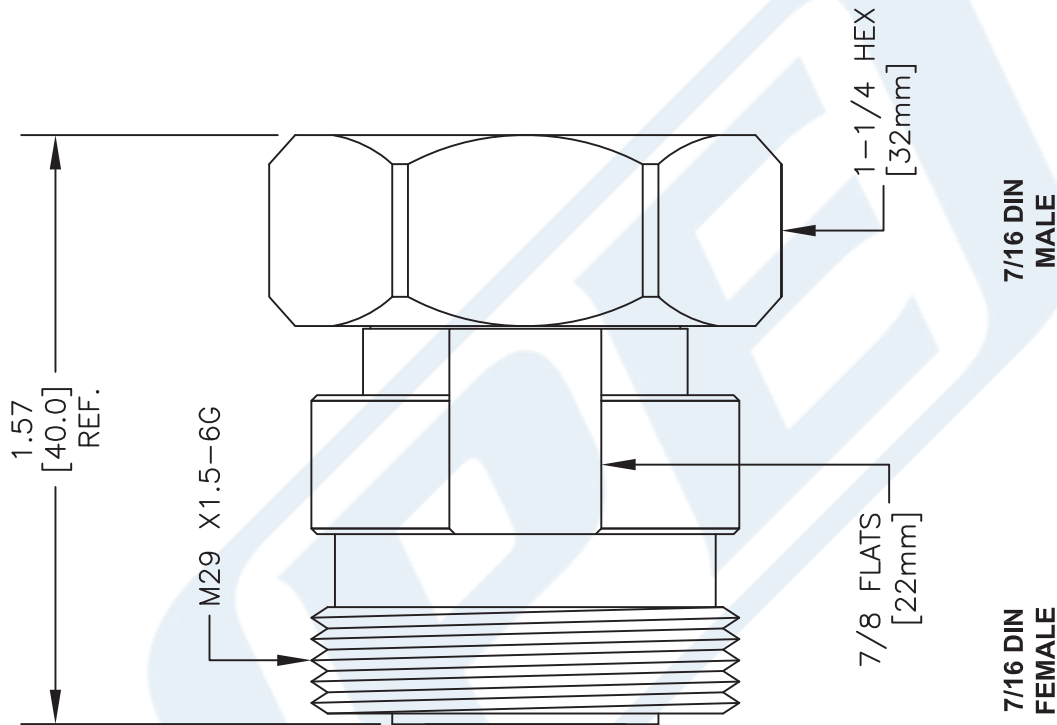
Click the following link (or enter part number in "SEARCH" on website) to obtain additional part information including price, inventory and certifications: [Low PIM 7/16 DIN Male to 7/16 DIN Female Adapter Low VSWR PE91028](https://www.pasternack.com/7-16-male-7-16-female-straight-adapter-pe91028-p.aspx)

URL: <https://www.pasternack.com/7-16-male-7-16-female-straight-adapter-pe91028-p.aspx>

The information contained in this document is accurate to the best of our knowledge and representative of the part described herein. It may be necessary to make modifications to the part and/or the documentation of the part, in order to implement improvements. Pasternack reserves the right to make such changes as required. Unless otherwise stated, all specifications are nominal. Pasternack does not make any representation or warranty regarding the suitability of the part described herein for any particular purpose, and Pasternack does not assume any liability arising out of the use of any part or documentation.

PE91028 CAD Drawing

Low PIM 7/16 DIN Male to 7/16 DIN Female Adapter Low VSWR



STANDARD TOLERANCES

.X ±0.2
.XX ±0.1
.XXX ±0.05

*STANDARD TOLERANCES APPLY ONLY TO DIMENSIONS IN INCHES



Pasternack Enterprises, Inc.
P.O. Box 16759 | Irvine | CA | 92623
Phone: (949) 261-1920 | Fax: (949) 261-7451
Website: www.pasternack.com | E-Mail: sales@pasternack.com

DWG TITLE

PE91028

NOTES:
1. UNLESS OTHERWISE SPECIFIED ALL DIMENSIONS ARE NOMINAL.
2. ALL SPECIFICATIONS ARE SUBJECT TO CHANGE WITHOUT NOTICE AT ANY TIME.
3. DIMENSIONS ARE IN INCHES [mm].

FSCM NO. 53919

CAD FILE 083016

SCALE N/A

SIZE A

41742