



Precision SMA Male to 2.92mm Male Adapter

RF Adapters Technical Data Sheet

PE91010

Configuration

- SMA Male Connector 1
- 2.92mm Male Connector 2
- 50 Ohms
- Precision Design
- Straight Body Geometry

Features

- Max VSWR of 1.2:1 up to 26.5 GHz
- SMA Interface compliant with MIL-STD-348
- Gold over Nickel Plated Beryllium Copper Contact
- 50 µin min Gold over Nickel Contact Plating

Applications

- Allows Connection Between Series
- General Purpose Test
- Precision Test & Measurement

Description

Pasternack's PE91010 precision SMA male to 2.92mm male adapter is part of our full line of RF components available for same-day shipping. The SMA connector mates mechanically with commercially available 3.5mm and 2.92mm (K) connectors. Our SMA to 2.92mm adapter has a male to male gender configuration built of durable stainless steel in a precision design. PE91010 SMA male to 2.92mm male adapter operates to 26.5 GHz. The Pasternack RF adapter provides excellent VSWR of 1.2:1 maximum.

RF adapters are often used to enable connections between two connector types that would otherwise not mate. Certain adapter configurations can also be used to protect connectors on expensive equipment where the number of connect/disconnect cycles is high. An RF, microwave or millimeter wave adapter is connected to the equipment, and the commonly changed connection is made with the adapter which can be easily replaced when it wears out after high usage; such adapters are referred to as connector savers. Pasternack also offers bulkhead, panel mount, hermetically sealed, reverse polarity, and isolated ground adapter varieties to serve all of your RF, microwave and millimeter wave needs.

Electrical Specifications

| Description | Minimum | Typical | Maximum | Units |
|--------------------------------------|---------|---------|---------|-------|
| Frequency Range | DC | | 26.5 | GHz |
| VSWR | | | 1.2:1 | |
| Insertion Loss | | | 0.25 | dB |
| Dielectric Withstanding Voltage (AC) | | | 750 | Vrms |

Electrical Specification Notes:
 Values at 25°C, sea level.

Mechanical Specifications

| | |
|-------------|--------------------|
| Size | |
| Length | 0.79 in [20.07 mm] |
| Width | 0.312 in [7.92 mm] |
| Weight | 0.013 lbs [5.9 g] |

Click the following link (or enter part number in "SEARCH" on website) to obtain additional part information including price, inventory and certifications: [Precision SMA Male to 2.92mm Male Adapter PE91010](#)



Precision SMA Male to 2.92mm Male Adapter

RF Adapters Technical Data Sheet

PE91010

| Description | Connector 1 | Connector 2 |
|-------------------------|----------------------------------|----------------------------------|
| Type | SMA Male | 2.92mm Male |
| Polarity | Standard | Standard |
| Interface Specification | MIL-STD-348 | |
| Hex Size | 5/16 in. | 5/16 in. |
| Mating Torque | 8 to 10 in-lbs [0.90 to 1.13 Nm] | 8 to 10 in-lbs [0.90 to 1.13 Nm] |

Material Specifications

| Description | Connector 1 | | Connector 2 | |
|--------------|----------------------------|------------------------------------|----------------------------|------------------------------------|
| | Material | Plating | Material | Plating |
| Type | SMA Male | | 2.92mm Male | |
| Contact | Beryllium Copper | Gold over Nickel 50 µin minimum | Beryllium Copper | Gold over Nickel 50 µin minimum |
| Insulation | PTFE | | PTFE | |
| Body | Passivated Stainless Steel | | Passivated Stainless Steel | |
| Coupling Nut | Passivated Stainless Steel | SAE-AMS-2700 | Passivated Stainless Steel | SAE-AMS-2700 |
| | | SAE-AMS-2700 | | SAE-AMS-2700 |

Environmental Specifications

Temperature

Operating Range -55 to +150 deg C

Compliance Certifications (see [product page](#) for current document)

Plotted and Other Data

Notes:

Click the following link (or enter part number in "SEARCH" on website) to obtain additional part information including price, inventory and certifications: [Precision SMA Male to 2.92mm Male Adapter PE91010](#)





Precision SMA Male to 2.92mm Male Adapter

RF Adapters Technical Data Sheet

PE91010

Precision SMA Male to 2.92mm Male Adapter from Pasternack Enterprises has same day shipment for domestic and International orders. Our RF, microwave and millimeter wave products maintain a 99% availability and are part of the broadest selection in the industry.

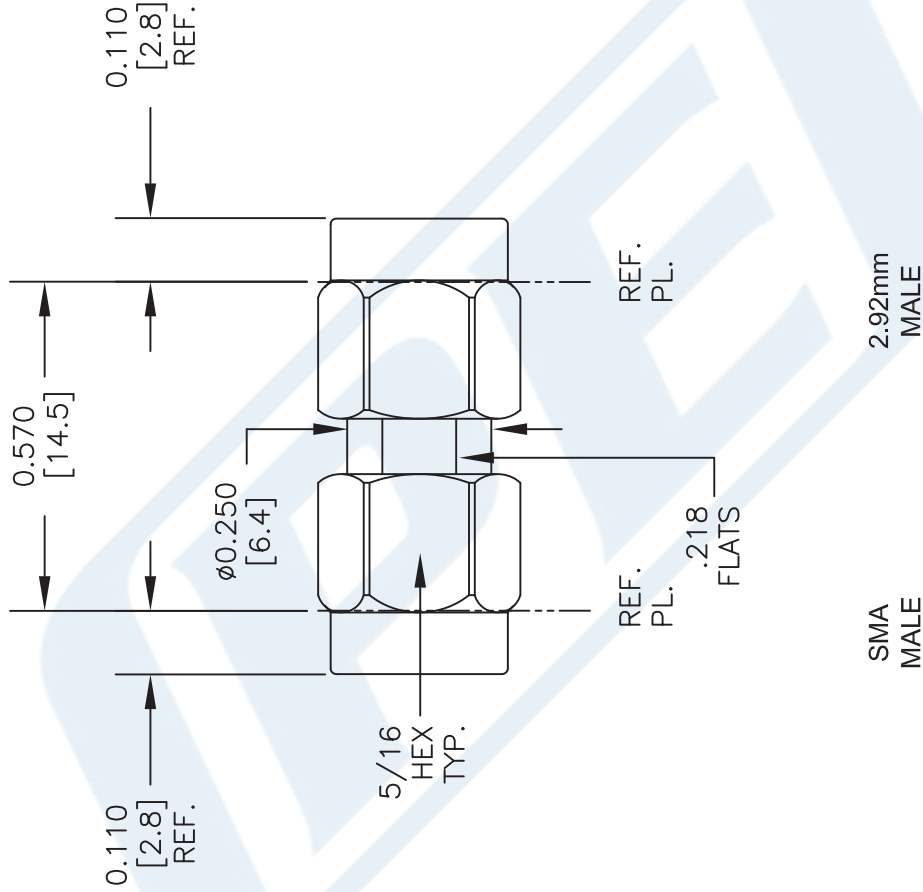
Click the following link (or enter part number in "SEARCH" on website) to obtain additional part information including price, inventory and certifications: [Precision SMA Male to 2.92mm Male Adapter PE91010](#)

URL: <https://www.pasternack.com/sma-male-2.92mm-male-straight-adapter-pe91010-p.aspx>

The information contained in this document is accurate to the best of our knowledge and representative of the part described herein. It may be necessary to make modifications to the part and/or the documentation of the part, in order to implement improvements. Pasternack reserves the right to make such changes as required. Unless otherwise stated, all specifications are nominal. Pasternack does not make any representation or warranty regarding the suitability of the part described herein for any particular purpose, and Pasternack does not assume any liability arising out of the use of any part or documentation.

PE91010 CAD Drawing

Precision SMA Male to 2.92mm Male Adapter



| STANDARD TOLERANCES | |
|---------------------|-------|
| .X | ±0.2 |
| .XX | ±0.1 |
| .XXX | ±0.05 |

*STANDARD TOLERANCES APPLY ONLY TO DIMENSIONS IN INCHES

PE PASTERNAK®
 THE ENGINEER'S RF SOURCE
 Pasternack Enterprises, Inc.
 P.O. Box 16759 | Irvine | CA | 92623
Phone: (949) 261-1920 | **Fax:** (949) 261-7451
Website: www.pasternack.com | **E-Mail:** sales@pasternack.com

DWG TITLE
PE91010

NOTES:
 1. UNLESS OTHERWISE SPECIFIED ALL DIMENSIONS ARE NOMINAL.
 2. ALL SPECIFICATIONS ARE SUBJECT TO CHANGE WITHOUT NOTICE AT ANY TIME.
 3. DIMENSIONS ARE IN INCHES [mm].

FSCM NO. 53919

CAD FILE 083116

SCALE N/A

SIZE A

41742