



TNC Male to TNC Female Right Angle Adapter

RF Adapters Technical Data Sheet

PE9100

Configuration

- TNC Male Connector 1
- TNC Female Connector 2
- 50 Ohms
- Right Angle Body Geometry

Features

- TNC Interface compliant with MIL-STD-348
- Silver Plated Beryllium Copper Contact
- 200 µin min Silver Contact Plating

Applications

- General Purpose Test

Description

Pasternack's PE9100 TNC male to TNC female right angle adapter is part of our full line of RF components available for same-day shipping. Our TNC to TNC adapter has a male to female gender configuration. PE9100 TNC male to TNC female adapter operates to 11 GHz. This low profile right angle TNC adapter allows for easier connections in tight spaces.

RF adapters are often used to enable connections between two connector types that would otherwise not mate. Certain adapter configurations can also be used to protect connectors on expensive equipment where the number of connect/disconnect cycles is high. An RF, microwave or millimeter wave adapter is connected to the equipment, and the commonly changed connection is made with the adapter which can be easily replaced when it wears out after high usage; such adapters are referred to as connector savers. Pasternack also offers bulkhead, panel mount, hermetically sealed, reverse polarity, and isolated ground adapter varieties to serve all of your RF, microwave and millimeter wave needs.

Electrical Specifications

| Description | Minimum | Typical | Maximum | Units |
|--------------------------------------|---------|---------|---------|-------|
| Frequency Range | DC | | 11 | GHz |
| Operating Voltage (AC) | | | 500 | Vrms |
| Dielectric Withstanding Voltage (AC) | | | 1,500 | Vrms |

Electrical Specification Notes:
Values at 25°C, sea level.

Mechanical Specifications

| Size | |
|--------|---------------------|
| Length | 1.05 in [26.67 mm] |
| Width | 0.59 in [14.99 mm] |
| Height | 1.03 in [26.16 mm] |
| Weight | 0.049 lbs [22.23 g] |

Click the following link (or enter part number in "SEARCH" on website) to obtain additional part information including price, inventory and certifications: [TNC Male to TNC Female Right Angle Adapter PE9100](#)



TNC Male to TNC Female Right Angle Adapter

RF Adapters Technical Data Sheet

PE9100

| Description | Connector 1 | Connector 2 |
|-------------------------|-------------|-------------|
| Type | TNC Male | TNC Female |
| Polarity | Standard | Standard |
| Interface Specification | MIL-STD-348 | MIL-STD-348 |

Material Specifications

| Description | Connector 1 | | Connector 2 | |
|-----------------|------------------|---------------------------|------------------|---------------------------|
| | Material | Plating | Material | Plating |
| Type | TNC Male | | TNC Female | |
| Contact | Beryllium Copper | Silver 200 µin minimum | Beryllium Copper | Silver 200 µin minimum |
| Insulation | PTFE | | PTFE | |
| Outer Conductor | | | Brass | Nickel 150 µin minimum |
| Body | Brass | Nickel 150 µin minimum | | |

Environmental Specifications

Temperature

Operating Range -65 to +165 deg C

Compliance Certifications (see [product page](#) for current document)

Plotted and Other Data

Notes:

Click the following link (or enter part number in "SEARCH" on website) to obtain additional part information including price, inventory and certifications: [TNC Male to TNC Female Right Angle Adapter PE9100](#)





TNC Male to TNC Female Right Angle Adapter

RF Adapters Technical Data Sheet

PE9100

TNC Male to TNC Female Right Angle Adapter from Pasternack Enterprises has same day shipment for domestic and International orders. Our RF, microwave and millimeter wave products maintain a 99% availability and are part of the broadest selection in the industry.

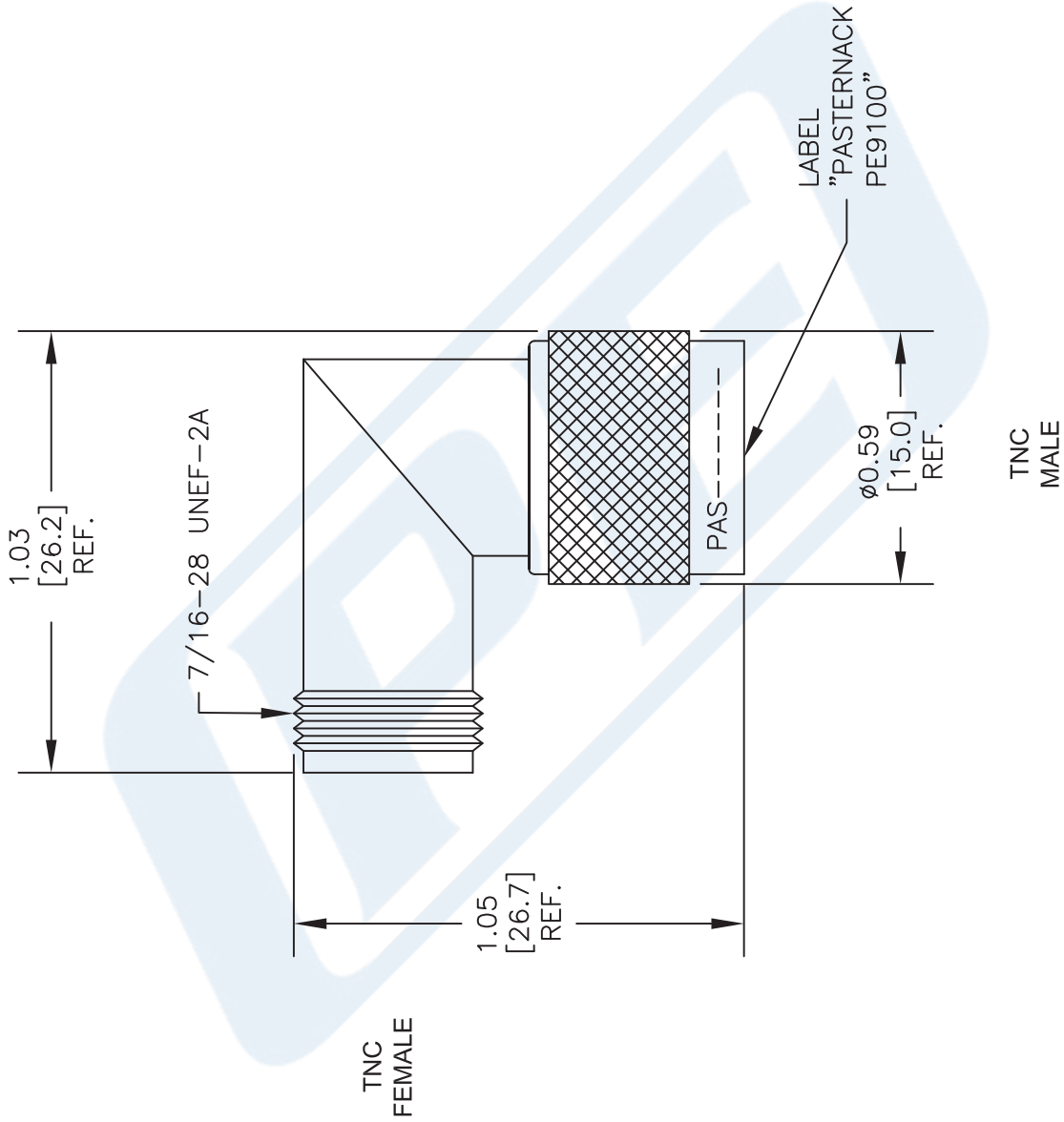
Click the following link (or enter part number in "SEARCH" on website) to obtain additional part information including price, inventory and certifications: [TNC Male to TNC Female Right Angle Adapter PE9100](#)

URL: <https://www.pasternack.com/tnc-male-tnc-female-right-angle-adapter-pe9100-p.aspx>

The information contained in this document is accurate to the best of our knowledge and representative of the part described herein. It may be necessary to make modifications to the part and/or the documentation of the part, in order to implement improvements. Pasternack reserves the right to make such changes as required. Unless otherwise stated, all specifications are nominal. Pasternack does not make any representation or warranty regarding the suitability of the part described herein for any particular purpose, and Pasternack does not assume any liability arising out of the use of any part or documentation.

PE9100 CAD Drawing

TNC Male to TNC Female Right Angle Adapter



STANDARD TOLERANCES

.X ±0.2
 .XX ±0.1
 .XXX ±0.05

*STANDARD TOLERANCES APPLY ONLY TO DIMENSIONS IN INCHES



PASTERNAK
 THE ENGINEER'S RF SOURCE
 Pasternack Enterprises, Inc.
 P.O. Box 16759 | Irvine | CA | 92623
 Phone: (949) 261-1920 | Fax: (949) 261-7451
 Website: www.pasternack.com | E-Mail: sales@pasternack.com

DWG TITLE

PE9100

NOTES:
 1. UNLESS OTHERWISE SPECIFIED ALL DIMENSIONS ARE NOMINAL.
 2. ALL SPECIFICATIONS ARE SUBJECT TO CHANGE WITHOUT NOTICE AT ANY TIME.
 3. DIMENSIONS ARE IN INCHES [mm].

FSCM NO. 53919

CAD FILE 083016

SCALE N/A

SIZE A

41742