



UHF Male to UHF Male Adapter

RF Adapters Technical Data Sheet

PE9096

Configuration

- UHF Male Connector 1
- UHF Male Connector 2
- 50 Ohms
- Straight Body Geometry

Features

- Max VSWR of 1.3:1 up to 300 MHz
- Nickel Plated Brass Contact

Applications

- General Purpose Test

Description

Pasternack's PE9096 UHF male to UHF male adapter is part of our full line of RF components available for same-day shipping. Our UHF to UHF adapter has a male to male gender configuration. PE9096 UHF male to UHF male adapter operates to 300 MHz. The Pasternack RF adapter provides good VSWR of 1.3:1 maximum.

RF adapters are often used to enable connections between two connector types that would otherwise not mate. Certain adapter configurations can also be used to protect connectors on expensive equipment where the number of connect/disconnect cycles is high. An RF, microwave or millimeter wave adapter is connected to the equipment, and the commonly changed connection is made with the adapter which can be easily replaced when it wears out after high usage; such adapters are referred to as connector savers. Pasternack also offers bulkhead, panel mount, hermetically sealed, reverse polarity, and isolated ground adapter varieties to serve all of your RF, microwave and millimeter wave needs.

Electrical Specifications

| Description | Minimum | Typical | Maximum | Units |
|--------------------------------------|---------|---------|---------|-------|
| Frequency Range | DC | | 300 | MHz |
| VSWR | | 1.2:1 | 1.3:1 | |
| Operating Voltage (AC) | | | 500 | Vrms |
| Dielectric Withstanding Voltage (AC) | | | 1,500 | Vrms |
| Inner Conductor DC Resistance | | | 3 | mOhms |
| Outer Conductor DC Resistance | | | 2 | mOhms |
| Insulation Resistance | 5,000 | | | MOhms |

Mechanical Specifications

Size

| | |
|--------|---------------------|
| Length | 1.22 in [30.99 mm] |
| Width | 0.71 in [18.03 mm] |
| Height | 0.71 in [18.03 mm] |
| Weight | 0.055 lbs [24.95 g] |

Click the following link (or enter part number in "SEARCH" on website) to obtain additional part information including price, inventory and certifications: [UHF Male to UHF Male Adapter PE9096](#)



UHF Male to UHF Male Adapter

RF Adapters Technical Data Sheet

PE9096

| Description | Connector 1 | Connector 2 |
|---------------|-------------|-------------|
| Type | UHF Male | UHF Male |
| Polarity | Standard | Standard |
| Mating Cycles | 500 | 500 |

Material Specifications

| Description | Connector 1 | | Connector 2 | |
|--------------|-------------|---------|-------------|---------|
| | Material | Plating | Material | Plating |
| Type | UHF Male | | UHF Male | |
| Contact | Brass | Nickel | Brass | Nickel |
| Insulation | POM | | POM | |
| Body | Brass | Nickel | Brass | Nickel |
| Coupling Nut | Brass | Nickel | Brass | Nickel |

Environmental Specifications

Temperature

Operating Range -40 to +60 deg C

Vibration

MIL-STD-202. Method 204, Condition D

Salt Spray

MIL-STD-202. Method 101, Condition B

Compliance Certifications (see [product page](#) for current document)

Plotted and Other Data

Notes:

Click the following link (or enter part number in "SEARCH" on website) to obtain additional part information including price, inventory and certifications: [UHF Male to UHF Male Adapter PE9096](#)



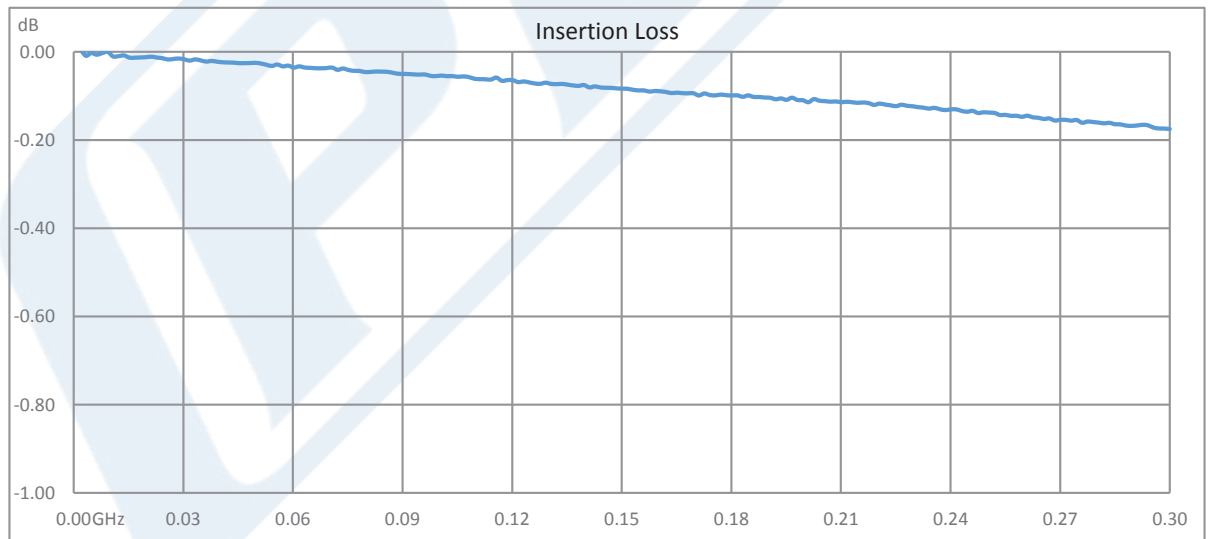


UHF Male to UHF Male Adapter

RF Adapters Technical Data Sheet

PE9096

Typical Performance Data



Click the following link (or enter part number in "SEARCH" on website) to obtain additional part information including price, inventory and certifications: [UHF Male to UHF Male Adapter PE9096](#)





UHF Male to UHF Male Adapter

RF Adapters Technical Data Sheet

PE9096

UHF Male to UHF Male Adapter from Pasternack Enterprises has same day shipment for domestic and International orders. Our RF, microwave and millimeter wave products maintain a 99% availability and are part of the broadest selection in the industry.

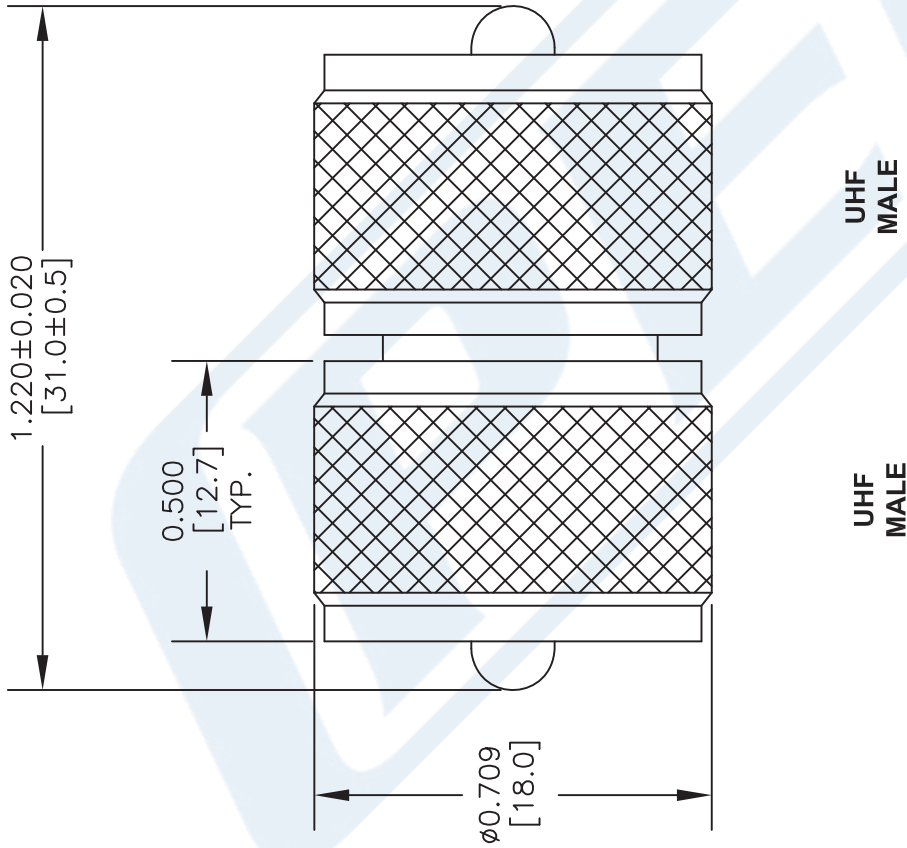
Click the following link (or enter part number in "SEARCH" on website) to obtain additional part information including price, inventory and certifications: [UHF Male to UHF Male Adapter PE9096](https://www.pasternack.com/uhf-male-uhf-male-straight-adapter-pe9096-p.aspx)

URL: <https://www.pasternack.com/uhf-male-uhf-male-straight-adapter-pe9096-p.aspx>

The information contained in this document is accurate to the best of our knowledge and representative of the part described herein. It may be necessary to make modifications to the part and/or the documentation of the part, in order to implement improvements. Pasternack reserves the right to make such changes as required. Unless otherwise stated, all specifications are nominal. Pasternack does not make any representation or warranty regarding the suitability of the part described herein for any particular purpose, and Pasternack does not assume any liability arising out of the use of any part or documentation.

PE9096 CAD Drawing

UHF Male to UHF Male Adapter



STANDARD TOLERANCES

.X ±0.2
.XX ±0.1
.XXX ±0.05

*STANDARD TOLERANCES APPLY ONLY TO DIMENSIONS IN INCHES



Pasternack Enterprises, Inc.
P.O. Box 16759 | Irvine | CA | 92623
Phone: (949) 261-1920 | Fax: (949) 261-7451
Website: www.pasternack.com | E-Mail: sales@pasternack.com

DWG TITLE

PE9096

NOTES:
1. UNLESS OTHERWISE SPECIFIED ALL DIMENSIONS ARE NOMINAL.
2. ALL SPECIFICATIONS ARE SUBJECT TO CHANGE WITHOUT NOTICE AT ANY TIME.
3. DIMENSIONS ARE IN INCHES [mm].

FSCM NO. 53919

CAD FILE 022216

SCALE N/A

SIZE A

3045