



N Female to TNC Male Adapter

RF Adapters Technical Data Sheet

PE9089

Configuration

- N Female Connector 1
- TNC Male Connector 2
- 50 Ohms
- Straight Body Geometry

Features

- Max VSWR of 1.3:1 up to 6 GHz
- N Interface compliant with MIL-STD-348A
- TNC Interface compliant with MIL-STD-348A
- Gold Plated Brass Contact
- 50µ in min Gold Contact Plating

Applications

- Allows Connection Between Series
- General Purpose Test

Description

Pasternack's PE9089 type N female to TNC male adapter is part of our full line of RF components available for same-day shipping. Our type N to TNC adapter has a female to male gender configuration. PE9089 type N female to TNC male adapter operates to 6 GHz. The Pasternack RF adapter provides good VSWR of 1.3:1 maximum.

RF adapters are often used to enable connections between two connector types that would otherwise not mate. Certain adapter configurations can also be used to protect connectors on expensive equipment where the number of connect/disconnect cycles is high. An RF, microwave or millimeter wave adapter is connected to the equipment, and the commonly changed connection is made with the adapter which can be easily replaced when it wears out after high usage; such adapters are referred to as connector savers. Pasternack also offers bulkhead, panel mount, hermetically sealed, reverse polarity, and isolated ground adapter varieties to serve all of your RF, microwave and millimeter wave needs.

Electrical Specifications

Description	Minimum	Typical	Maximum	Units
Frequency Range	DC		6	GHz
VSWR			1.3:1	
Operating Voltage (AC)			500	Vrms

Electrical Specification Notes:
 Insertion Loss = $0.2 + 0.02 \cdot \sqrt{f(\text{GHz})}$ dB.
 Values at 25°C, sea level.

Mechanical Specifications

Size	
Length	1.5 in [38.1 mm]
Width	0.669 in [16.99 mm]
Height	0.669 in [16.99 mm]
Weight	0.088 lbs [39.92 g]

Click the following link (or enter part number in "SEARCH" on website) to obtain additional part information including price, inventory and certifications: [N Female to TNC Male Adapter PE9089](#)



N Female to TNC Male Adapter

RF Adapters Technical Data Sheet

PE9089

Description	Connector 1	Connector 2
Type	N Female	TNC Male
Polarity	Standard	Standard
Interface Specification	MIL-STD-348A	MIL-STD-348A

Material Specifications

Description	Connector 1		Connector 2	
	Material	Plating	Material	Plating
Type	N Female		TNC Male	
Contact	Brass	Gold 50µ in. minimum	Brass	Gold 50µ in. minimum
Insulation	PTFE			
Outer Conductor	Brass	Nickel 100µ in. minimum		
Body			Brass	Nickel 100µ in. minimum
Gasket			Silicone	

Environmental Specifications

Temperature

Operating Range -65 to +165 deg C

Compliance Certifications (see [product page](#) for current document)

Plotted and Other Data

Notes:

Click the following link (or enter part number in "SEARCH" on website) to obtain additional part information including price, inventory and certifications: [N Female to TNC Male Adapter PE9089](#)



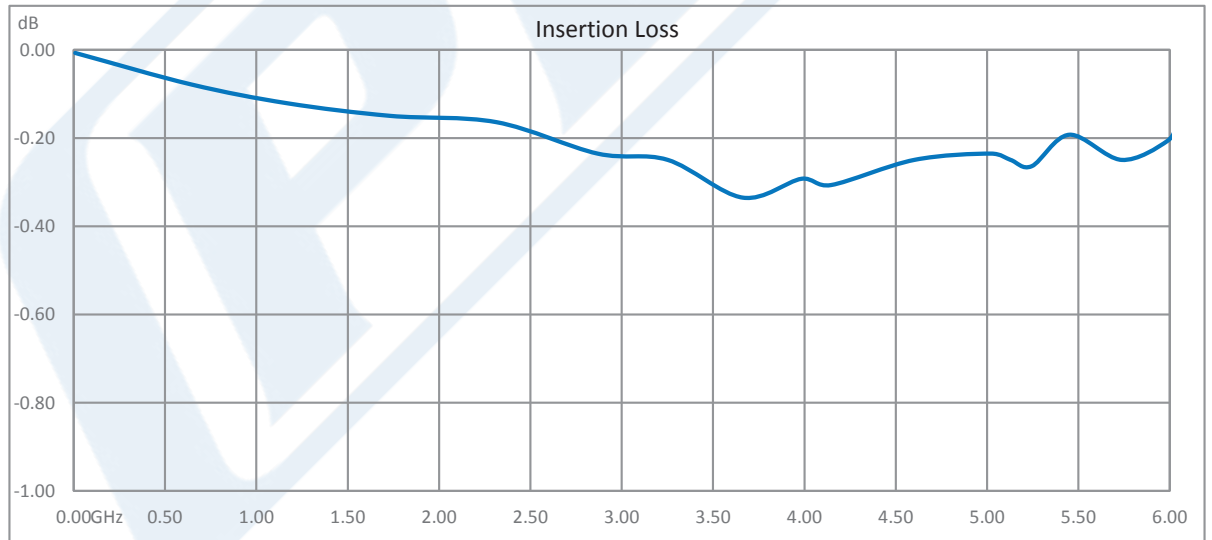
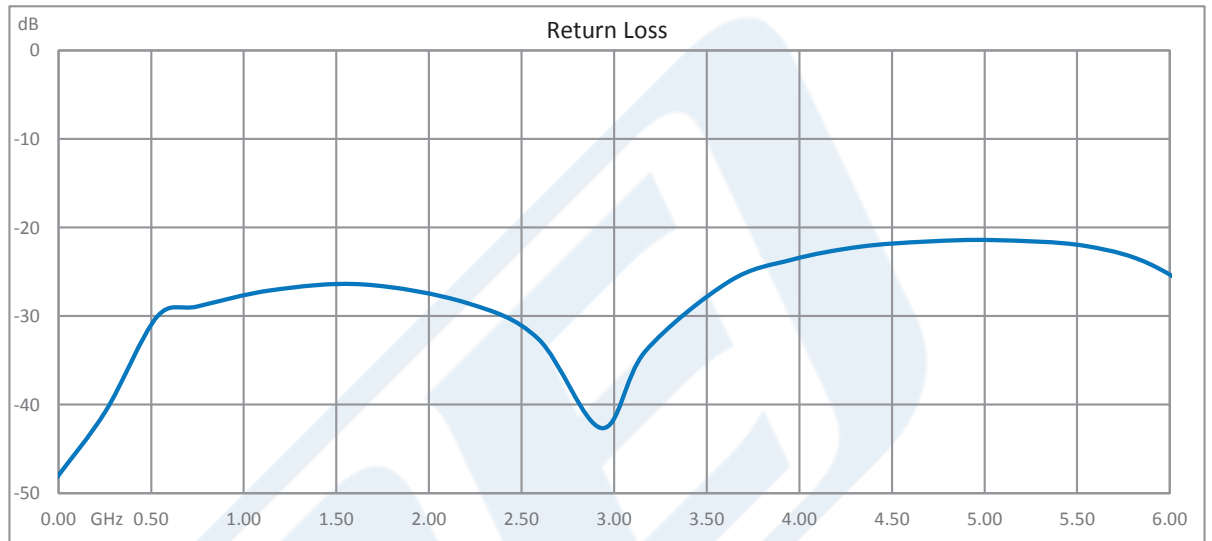


N Female to TNC Male Adapter

RF Adapters Technical Data Sheet

PE9089

Typical Performance Data



Click the following link (or enter part number in "SEARCH" on website) to obtain additional part information including price, inventory and certifications: [N Female to TNC Male Adapter PE9089](#)





N Female to TNC Male Adapter

RF Adapters Technical Data Sheet

PE9089

N Female to TNC Male Adapter from Pasternack Enterprises has same day shipment for domestic and International orders. Our RF, microwave and millimeter wave products maintain a 99% availability and are part of the broadest selection in the industry.

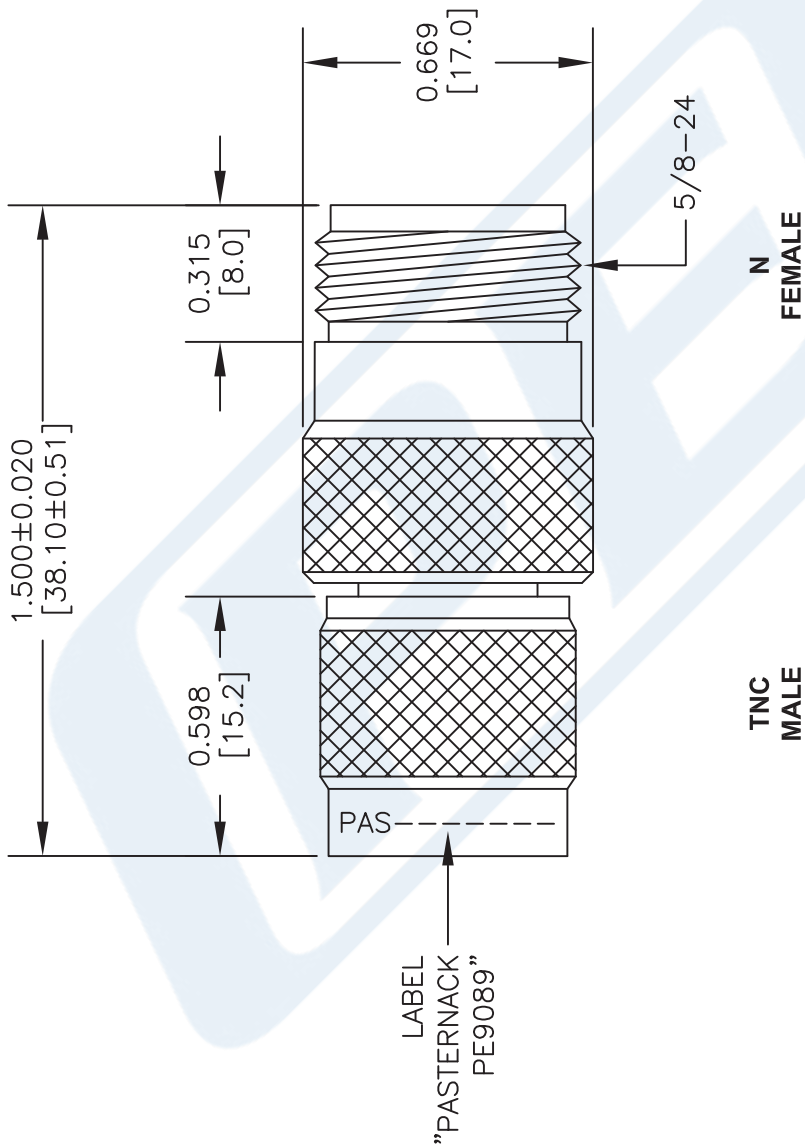
Click the following link (or enter part number in "SEARCH" on website) to obtain additional part information including price, inventory and certifications: [N Female to TNC Male Adapter PE9089](#)

URL: <https://www.pasternack.com/n-female-tnc-male-straight-adapter-pe9089-p.aspx>

The information contained in this document is accurate to the best of our knowledge and representative of the part described herein. It may be necessary to make modifications to the part and/or the documentation of the part, in order to implement improvements. Pasternack reserves the right to make such changes as required. Unless otherwise stated, all specifications are nominal. Pasternack does not make any representation or warranty regarding the suitability of the part described herein for any particular purpose, and Pasternack does not assume any liability arising out of the use of any part or documentation.

PE9089 CAD Drawing

N Female to TNC Male Adapter



STANDARD TOLERANCES

.X ±0.2
.XX ±0.1
.XXX ±0.05

*STANDARD TOLERANCES APPLY ONLY TO DIMENSIONS IN INCHES



THE ENGINEER'S RF SOURCE

Pasternack Enterprises, Inc.

P.O. Box 16759 | Irvine | CA | 92623

Phone: (949) 261-1920 | Fax: (949) 261-7451

Website: www.pasternack.com | E-Mail: sales@pasternack.com

DWG TITLE

PE9089

NOTES:
1. UNLESS OTHERWISE SPECIFIED ALL DIMENSIONS ARE NOMINAL.
2. ALL SPECIFICATIONS ARE SUBJECT TO CHANGE WITHOUT NOTICE AT ANY TIME.
3. DIMENSIONS ARE IN INCHES [mm].

FSCM NO. 53919

CAD FILE 051616

SCALE N/A

SIZE A

3045