



SMA Female to BNC Female Adapter

RF Adapters Technical Data Sheet

PE9075

Configuration

- SMA Female Connector 1
- BNC Female Connector 2
- 50 Ohms
- Straight Body Geometry

Features

- Max VSWR of 1.3:1 up to 4 GHz
- SMA and BNC Interface compliant with MIL-STD-348A
- Gold Plated Beryllium Copper Contact
- 50 µ-in min. Gold Contact Plating

Applications

- Allows Connection Between Series
- General Purpose Test

Description

Pasternack's PE9075 SMA female to BNC female adapter is part of our full line of RF components available for same-day shipping. The SMA connector mates mechanically with commercially available 3.5mm and 2.92mm (K) connectors. Our SMA to BNC adapter has a female to female gender configuration. PE9075 SMA female to BNC female adapter operates to 4 GHz. The Pasternack RF adapter provides good VSWR of 1.3:1 maximum.

RF adapters are often used to enable connections between two connector types that would otherwise not mate. Certain adapter configurations can also be used to protect connectors on expensive equipment where the number of connect/disconnect cycles is high. An RF, microwave or millimeter wave adapter is connected to the equipment, and the commonly changed connection is made with the adapter which can be easily replaced when it wears out after high usage; such adapters are referred to as connector savers. Pasternack also offers bulkhead, panel mount, hermetically sealed, reverse polarity, and isolated ground adapter varieties to serve all of your RF, microwave and millimeter wave needs.

Electrical Specifications

| Description | Minimum | Typical | Maximum | Units |
|------------------------|---------|---------|---------|-------|
| Frequency Range | DC | | 4 | GHz |
| VSWR | | | 1.3:1 | |
| Operating Voltage (AC) | | | 500 | Vrms |

Mechanical Specifications

| Size | |
|--------|---------------------|
| Length | 1.004 in [25.5 mm] |
| Width | 0.492 in [12.5 mm] |
| Height | 0.492 in [12.5 mm] |
| Weight | 0.026 lbs [11.79 g] |

Click the following link (or enter part number in "SEARCH" on website) to obtain additional part information including price, inventory and certifications: [SMA Female to BNC Female Adapter PE9075](#)



SMA Female to BNC Female Adapter

RF Adapters Technical Data Sheet

PE9075

| Description | Connector 1 | Connector 2 |
|-------------------------|--------------|--------------|
| Type | SMA Female | BNC Female |
| Polarity | Standard | Standard |
| Interface Specification | MIL-STD-348A | MIL-STD-348A |

Material Specifications

| Description | Connector 1 | | Connector 2 | |
|-----------------|------------------|----------------------------|------------------|----------------------------|
| | Material | Plating | Material | Plating |
| Type | SMA Female | | BNC Female | |
| Contact | Beryllium Copper | Gold 50μ in. minimum | Beryllium Copper | Gold 50μ in. minimum |
| Insulation | PTFE | | PTFE | |
| Outer Conductor | Brass | Nickel 100μ in. minimum | Brass | Nickel 100μ in. minimum |

Environmental Specifications

Temperature

Operating Range -65 to +165 deg C

Compliance Certifications (see [product page](#) for current document)

Plotted and Other Data

Notes:

Click the following link (or enter part number in "SEARCH" on website) to obtain additional part information including price, inventory and certifications: [SMA Female to BNC Female Adapter PE9075](#)



SMA Female to BNC Female Adapter

RF Adapters Technical Data Sheet

PE9075

SMA Female to BNC Female Adapter from Pasternack Enterprises has same day shipment for domestic and International orders. Our RF, microwave and millimeter wave products maintain a 99% availability and are part of the broadest selection in the industry.

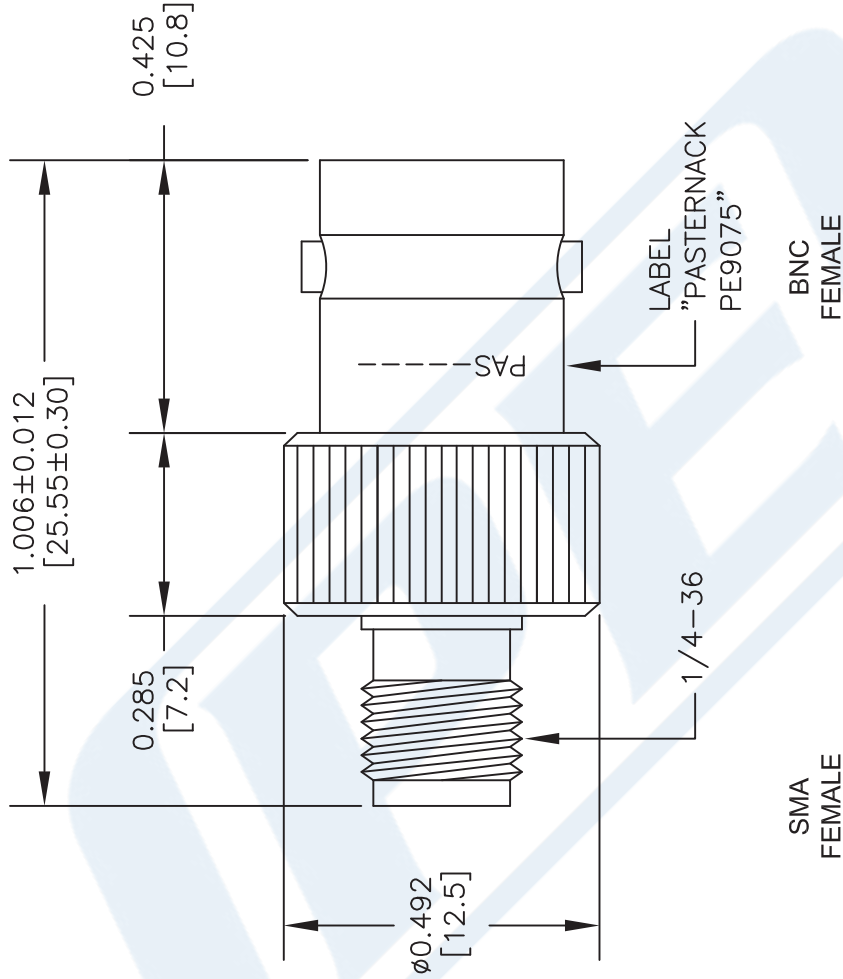
Click the following link (or enter part number in "SEARCH" on website) to obtain additional part information including price, inventory and certifications: [SMA Female to BNC Female Adapter PE9075](#)

URL: <https://www.pasternack.com/sma-female-bnc-female-straight-adapter-pe9075-p.aspx>

The information contained in this document is accurate to the best of our knowledge and representative of the part described herein. It may be necessary to make modifications to the part and/or the documentation of the part, in order to implement improvements. Pasternack reserves the right to make such changes as required. Unless otherwise stated, all specifications are nominal. Pasternack does not make any representation or warranty regarding the suitability of the part described herein for any particular purpose, and Pasternack does not assume any liability arising out of the use of any part or documentation.

PE9075 CAD Drawing

SMA Female to BNC Female Adapter



STANDARD TOLERANCES

.X ±0.2
.XX ±0.1
.XXX ±0.05

*STANDARD TOLERANCES APPLY ONLY TO DIMENSIONS IN INCHES

(PE) PASTERNAK®
THE ENGINEER'S RF SOURCE
Pasternack Enterprises, Inc.
P.O. Box 16759 | Irvine | CA | 92623
Phone: (949) 261-1920 | Fax: (949) 261-7451
Website: www.pasternack.com | E-Mail: sales@pasternack.com

DWG TITLE

PE9075

FSCM NO. 53919

NOTES:
1. UNLESS OTHERWISE SPECIFIED ALL DIMENSIONS ARE NOMINAL.
2. ALL SPECIFICATIONS ARE SUBJECT TO CHANGE WITHOUT NOTICE AT ANY TIME.
3. DIMENSIONS ARE IN INCHES [mm].

CAD FILE 071516

SCALE N/A

SIZE A

2233