



# SMA Male to SMA Female Right Angle Adapter

## RF Adapters Technical Data Sheet

PE9068

### Configuration

- SMA Male Connector 1
- SMA Female Connector 2
- 50 Ohms
- Right Angle Body Geometry

### Features

- Max VSWR of 1.23:1 up to 12.4 GHz
- SMA Interface compliant with MIL-STD-348A
- Gold Plated Contact
- 50µ in min Gold Contact Plating

### Applications

- General Purpose Test

### Description

Pasternack's PE9068 SMA male to SMA female right angle adapter is part of our full line of RF components available for same-day shipping. The SMA connector mates mechanically with commercially available 3.5mm and 2.92mm (K) connectors. Our SMA to SMA adapter has a male to female gender configuration. PE9068 SMA male to SMA female adapter operates to 12.4 GHz. The Pasternack RF adapter provides excellent VSWR of 1.23:1 maximum. This low profile right angle SMA adapter allows for easier connections in tight spaces.

RF adapters are often used to enable connections between two connector types that would otherwise not mate. Certain adapter configurations can also be used to protect connectors on expensive equipment where the number of connect/disconnect cycles is high. An RF, microwave or millimeter wave adapter is connected to the equipment, and the commonly changed connection is made with the adapter which can be easily replaced when it wears out after high usage; such adapters are referred to as connector savers. Pasternack also offers bulkhead, panel mount, hermetically sealed, reverse polarity, and isolated ground adapter varieties to serve all of your RF, microwave and millimeter wave needs.

### Electrical Specifications

Description	Minimum	Typical	Maximum	Units
Frequency Range	DC		12.4	GHz
VSWR		1.13:1	1.23:1	
Insertion Loss		0.19	0.3	dB
Operating Voltage (AC)			500	Vrms
Inner Conductor DC Resistance			3	mOhms
Outer Conductor DC Resistance			2	mOhms
Insulation Resistance	5,000			MOhms

### Mechanical Specifications

#### Size

Length	0.65 in [16.51 mm]
Width	0.591 in [15.01 mm]
Height	0.315 in [8 mm]

Click the following link (or enter part number in "SEARCH" on website) to obtain additional part information including price, inventory and certifications: [SMA Male to SMA Female Right Angle Adapter PE9068](#)





## SMA Male to SMA Female Right Angle Adapter

### RF Adapters Technical Data Sheet

PE9068

Weight 0.017 lbs [7.71 g]

Description	Connector 1	Connector 2
Type	SMA Male	SMA Female
Polarity	Standard	Standard
Interface Specification	MIL-STD-348A	MIL-STD-348A
Mating Cycles	500	500
Hex Size	8 mm	
Mating Torque	3 to 5 in-lbs [0.34 to 0.57 Nm]	
Coupling Proof Torque, Min	5 in-lbs [0.57 Nm]	

#### Material Specifications

Description	Connector 1		Connector 2	
	Material	Plating	Material	Plating
Type	SMA Male		SMA Female	
Contact	Brass	Gold 50 μin. minimum	Beryllium Copper	Gold 50 μin. minimum
Insulation	PTFE		PTFE	
Outer Conductor			Brass	Nickel 100 μin. minimum
Body	Brass	Nickel 100 μin. minimum		
Gasket	Silicone			
Coupling Nut	Brass	Nickel 100 μin. minimum		

#### Environmental Specifications

##### Temperature

Operating Range -65 to +165 deg C

Vibration  
Salt Spray

MIL-STD-202, Method 204, Condition D  
MIL-STD-202, Method 101, Condition B

#### Compliance Certifications (see [product page](#) for current document)

#### Plotted and Other Data

Notes:

Click the following link (or enter part number in "SEARCH" on website) to obtain additional part information including price, inventory and certifications: [SMA Male to SMA Female Right Angle Adapter PE9068](#)

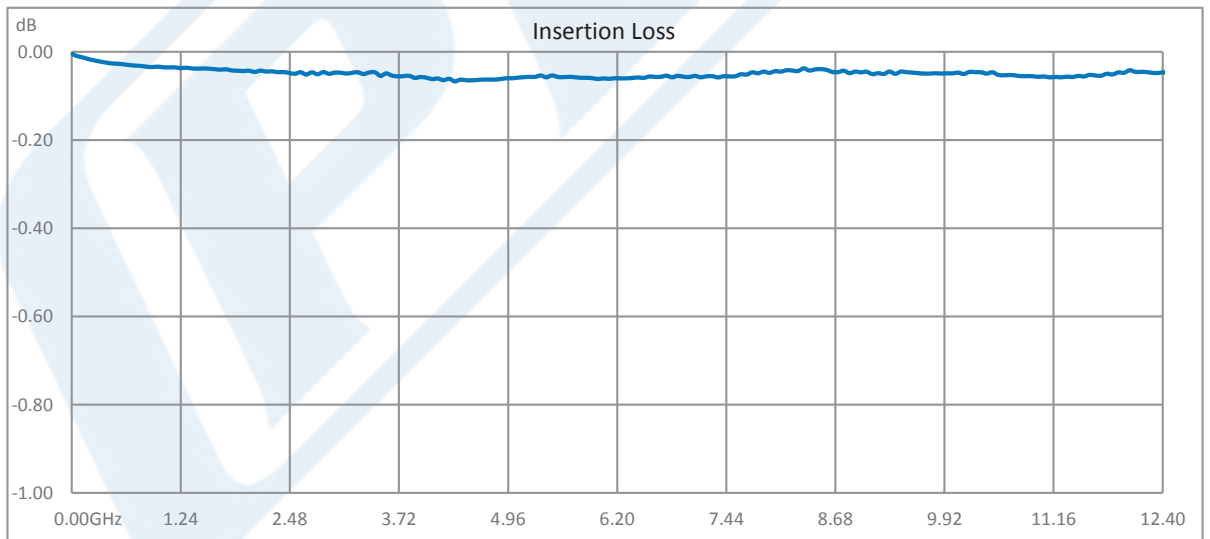
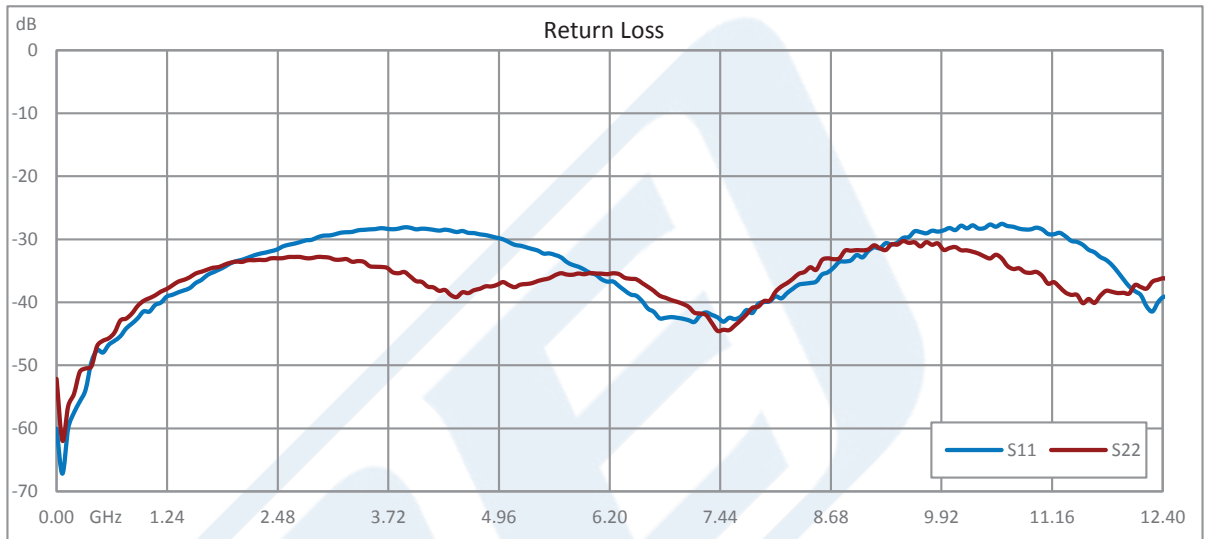


SMA Male to SMA Female Right Angle Adapter

RF Adapters Technical Data Sheet

PE9068

Typical Performance Data



Click the following link (or enter part number in "SEARCH" on website) to obtain additional part information including price, inventory and certifications: [SMA Male to SMA Female Right Angle Adapter PE9068](#)





## SMA Male to SMA Female Right Angle Adapter

### RF Adapters Technical Data Sheet

PE9068

SMA Male to SMA Female Right Angle Adapter from Pasternack Enterprises has same day shipment for domestic and International orders. Our RF, microwave and millimeter wave products maintain a 99% availability and are part of the broadest selection in the industry.

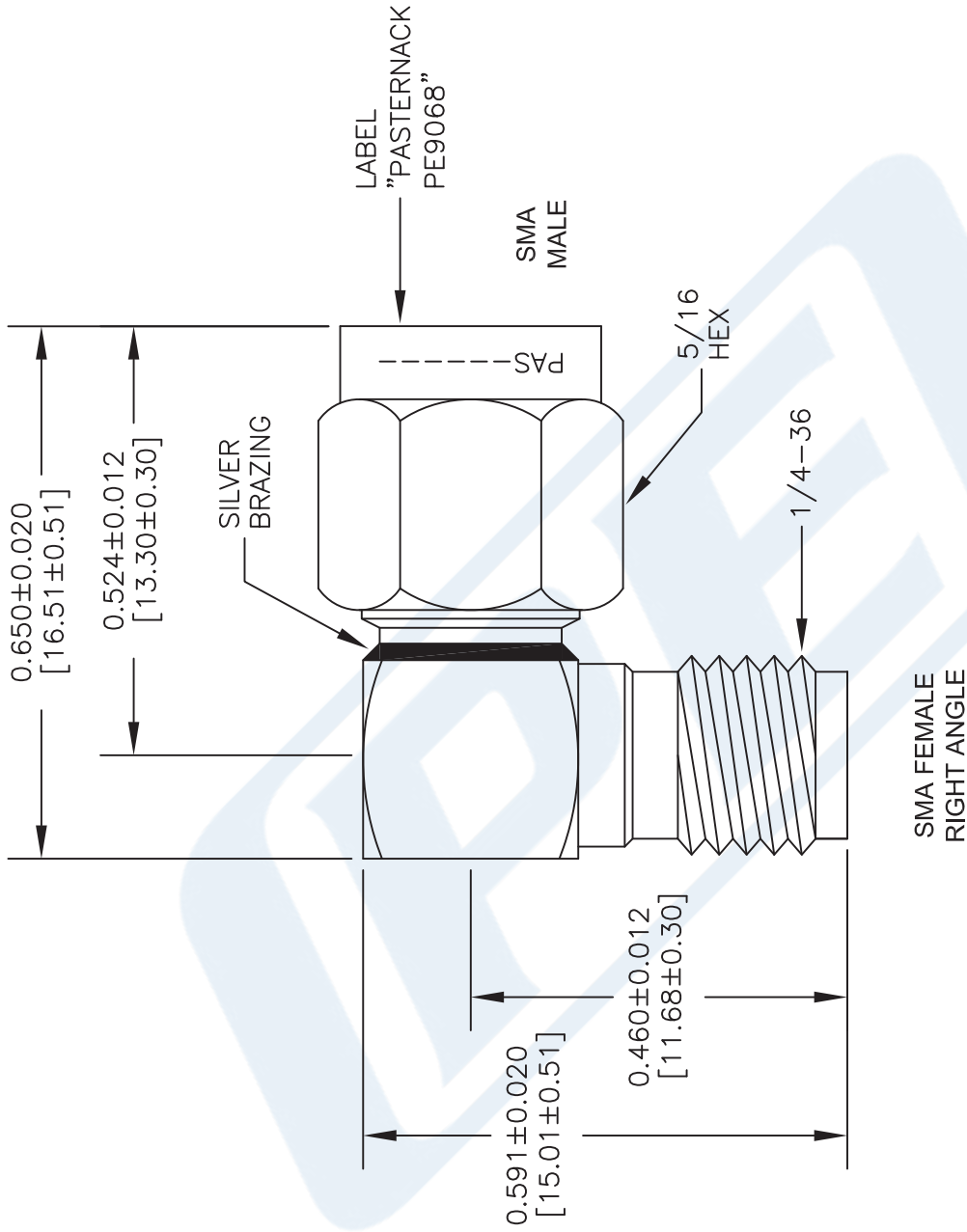
Click the following link (or enter part number in "SEARCH" on website) to obtain additional part information including price, inventory and certifications: [SMA Male to SMA Female Right Angle Adapter PE9068](#)

URL: <https://www.pasternack.com/sma-male-sma-female-right-angle-adapter-pe9068-p.aspx>

The information contained in this document is accurate to the best of our knowledge and representative of the part described herein. It may be necessary to make modifications to the part and/or the documentation of the part, in order to implement improvements. Pasternack reserves the right to make such changes as required. Unless otherwise stated, all specifications are nominal. Pasternack does not make any representation or warranty regarding the suitability of the part described herein for any particular purpose, and Pasternack does not assume any liability arising out of the use of any part or documentation.

# PE9068 CAD Drawing

## SMA Male to SMA Female Right Angle Adapter



**STANDARD TOLERANCES**

- .X ±0.2
- .XX ±0.1
- .XXX ±0.05

\*STANDARD TOLERANCES APPLY ONLY TO DIMENSIONS IN INCHES

DWG TITLE

**PE9068**

- NOTES:
1. UNLESS OTHERWISE SPECIFIED ALL DIMENSIONS ARE NOMINAL.
  2. ALL SPECIFICATIONS ARE SUBJECT TO CHANGE WITHOUT NOTICE AT ANY TIME.
  3. DIMENSIONS ARE IN INCHES [mm].

**PE PASTERNAK**  
THE ENGINEER'S RF SOURCE  
Pasternack Enterprises, Inc.  
P.O. Box 16759 | Irvine | CA | 92623  
Phone: (949) 261-1920 | Fax: (949) 261-7451  
Website: www.pasternack.com | E-Mail: sales@pasternack.com

FSCM NO. 53919

CAD FILE 071516

SCALE N/A

SIZE A

2233