



N Female to BNC Male Adapter

RF Adapters Technical Data Sheet

PE9005

Configuration

- N Female Connector 1
- BNC Male Connector 2
- 50 Ohms
- Straight Body Geometry

Features

- Max VSWR of 1.3:1 up to 4 GHz
- N interface compliant with MIL-STD-348A
- BNC interface compliant with MIL-STD-348A
- 30 μ m minimum contact plating
- Gold Plated Brass Contact

Applications

- Allows Connection Between Series
- General Purpose Test

Description

Pasternack's PE9005 type N female to BNC male adapter is part of our full line of RF components available for same-day shipping. Our type N to BNC adapter has a female to male gender configuration. PE9005 type N female to BNC male adapter operates to 4 GHz. The Pasternack RF adapter provides good VSWR of 1.3:1 maximum.

RF adapters are often used to enable connections between two connector types that would otherwise not mate. Certain adapter configurations can also be used to protect connectors on expensive equipment where the number of connect/disconnect cycles is high. An RF, microwave or millimeter wave adapter is connected to the equipment, and the commonly changed connection is made with the adapter which can be easily replaced when it wears out after high usage; such adapters are referred to as connector savers. Pasternack also offers bulkhead, panel mount, hermetically sealed, reverse polarity, and isolated ground adapter varieties to serve all of your RF, microwave and millimeter wave needs.

Electrical Specifications

Description	Minimum	Typical	Maximum	Units
Frequency Range	DC		4	GHz
VSWR			1.3:1	
Operating Voltage (AC)			500	Vrms
Dielectric Withstanding Voltage (AC)			1,500	Vrms
Inner Conductor DC Resistance			1.5	mOhms
Outer Conductor DC Resistance			1	mOhms
Insulation Resistance	5,000			MOhms

Electrical Specification Notes:
 Values at 25°C, sea level.

Mechanical Specifications

Size	
Length	1.5 in [38.1 mm]
Width	0.67 in [17.02 mm]

Click the following link (or enter part number in "SEARCH" on website) to obtain additional part information including price, inventory and certifications: [N Female to BNC Male Adapter PE9005](#)



N Female to BNC Male Adapter

RF Adapters Technical Data Sheet

PE9005

Weight 0.079 lbs [35.83 g]

Description	Connector 1	Connector 2
Type	N Female	BNC Male
Polarity	Standard	Standard
Interface Specification	MIL-STD-348A	MIL-STD-348A
Mating Cycles	500	500

Material Specifications

Description	Connector 1		Connector 2	
	Material	Plating	Material	Plating
Type	N Female		BNC Male	
Contact	Brass	Gold 30 µin minimum	Brass	Gold 30 µin minimum
Insulation	PTFE		PTFE	
Outer Conductor	Brass	Nickel 100 µin minimum		
Body			Brass	Nickel 100 µin minimum
Coupling Nut			Brass	Nickel 100 µin minimum

Environmental Specifications

Temperature

Operating Range -55 to +125 deg C

Vibration

Temperature Cycling

Salt Spray

MIL-STD-202, Method 204, Condition B

MIL-STD-202, Method 107, Condition B

MIL-STD-202, Method 101, Condition B

Compliance Certifications (see [product page](#) for current document)

Plotted and Other Data

Notes:

Click the following link (or enter part number in "SEARCH" on website) to obtain additional part information including price, inventory and certifications: [N Female to BNC Male Adapter PE9005](#)



N Female to BNC Male Adapter

RF Adapters Technical Data Sheet

PE9005

N Female to BNC Male Adapter from Pasternack Enterprises has same day shipment for domestic and International orders. Our RF, microwave and millimeter wave products maintain a 99% availability and are part of the broadest selection in the industry.

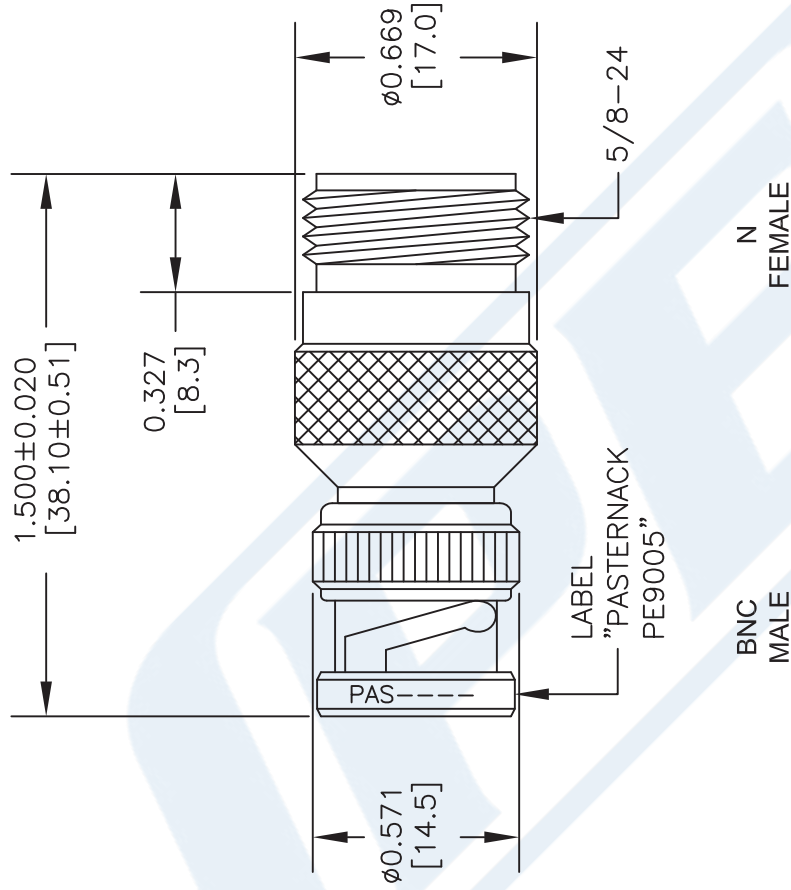
Click the following link (or enter part number in "SEARCH" on website) to obtain additional part information including price, inventory and certifications: [N Female to BNC Male Adapter PE9005](#)

URL: <https://www.pasternack.com/n-female-bnc-male-straight-adapter-pe9005-p.aspx>

The information contained in this document is accurate to the best of our knowledge and representative of the part described herein. It may be necessary to make modifications to the part and/or the documentation of the part, in order to implement improvements. Pasternack reserves the right to make such changes as required. Unless otherwise stated, all specifications are nominal. Pasternack does not make any representation or warranty regarding the suitability of the part described herein for any particular purpose, and Pasternack does not assume any liability arising out of the use of any part or documentation.

PE9005 CAD Drawing

N Female to BNC Male Adapter



STANDARD TOLERANCES

.X ±0.2
 .XX ±0.1
 .XXX ±0.05

*STANDARD TOLERANCES APPLY ONLY TO DIMENSIONS IN INCHES



Pasternack Enterprises, Inc.
 P.O. Box 16759 | Irvine | CA | 92623
Phone: (949) 261-1920 | **Fax:** (949) 261-7451
Website: www.pasternack.com | **E-Mail:** sales@pasternack.com

DWG TITLE

PE9005

FSCM NO. 53919

NOTES:
 1. UNLESS OTHERWISE SPECIFIED ALL DIMENSIONS ARE NOMINAL.
 2. ALL SPECIFICATIONS ARE SUBJECT TO CHANGE WITHOUT NOTICE AT ANY TIME.
 3. DIMENSIONS ARE IN INCHES [mm].

CAD FILE 090816

SCALE N/A

SIZE A

41742