



BNC Male to BNC Male Adapter

RF Adapters Technical Data Sheet

PE9000

Configuration

- BNC Male Connector 1
- BNC Male Connector 2
- 50 Ohms
- Straight Body Geometry

Features

- Max VSWR of 1.3:1 up to 1,000 MHz
- BNC Interface compliant with MIL-STD-348A
- Gold Plated Brass Contact
- 30 μ-in min. Gold Contact Plating

Applications

- General Purpose Test

Description

Pasternack's PE9000 BNC male to BNC male adapter is part of our full line of RF components available for same-day shipping. Our BNC to BNC adapter has a male to male gender configuration. PE9000 BNC male to BNC male adapter operates to 1,000 MHz. The Pasternack RF adapter provides good VSWR of 1.3:1 maximum.

RF adapters are often used to enable connections between two connector types that would otherwise not mate. Certain adapter configurations can also be used to protect connectors on expensive equipment where the number of connect/disconnect cycles is high. An RF, microwave or millimeter wave adapter is connected to the equipment, and the commonly changed connection is made with the adapter which can be easily replaced when it wears out after high usage; such adapters are referred to as connector savers. Pasternack also offers bulkhead, panel mount, hermetically sealed, reverse polarity, and isolated ground adapter varieties to serve all of your RF, microwave and millimeter wave needs.

Electrical Specifications

Description	Minimum	Typical	Maximum	Units
Frequency Range	DC		1,000	MHz
VSWR		1.2:1	1.3:1	
Operating Voltage (AC)			500	Vrms
Dielectric Withstanding Voltage (AC)			1,500	Vrms
Inner Conductor DC Resistance			1.5	mOhms
Outer Conductor DC Resistance			1	mOhms
Insulation Resistance	5,000			MOhms

Mechanical Specifications

Size	
Length	1.244 in [31.6 mm]
Width	0.571 in [14.5 mm]
Height	0.571 in [14.5 mm]
Weight	0.041 lbs [18.6 g]

Click the following link (or enter part number in "SEARCH" on website) to obtain additional part information including price, inventory and certifications: [BNC Male to BNC Male Adapter PE9000](#)



BNC Male to BNC Male Adapter

RF Adapters Technical Data Sheet

PE9000

Description	Connector 1	Connector 2
Type	BNC Male	BNC Male
Polarity	Standard	Standard
Interface Specification	MIL-STD-348A	MIL-STD-348A
Mating Cycles	500	500

Material Specifications

Description	Connector 1		Connector 2	
	Material	Plating	Material	Plating
Type	BNC Male		BNC Male	
Contact	Brass	Gold 30µ in. minimum	Brass	Gold 30µ in. minimum
Insulation	PTFE		PTFE	
Body	Brass	Nickel 100µ in. minimum	Brass	Nickel 100µ in. minimum
Gasket	Silicone		Silicone	

Environmental Specifications

Temperature

Operating Range -65 to +165 deg C

Vibration
Salt Spray

MIL-STD-202, Method 204, Condition D
MIL-STD-202, Method 101, Condition B

Compliance Certifications (see [product page](#) for current document)

Plotted and Other Data

Notes:

Click the following link (or enter part number in "SEARCH" on website) to obtain additional part information including price, inventory and certifications: [BNC Male to BNC Male Adapter PE9000](#)

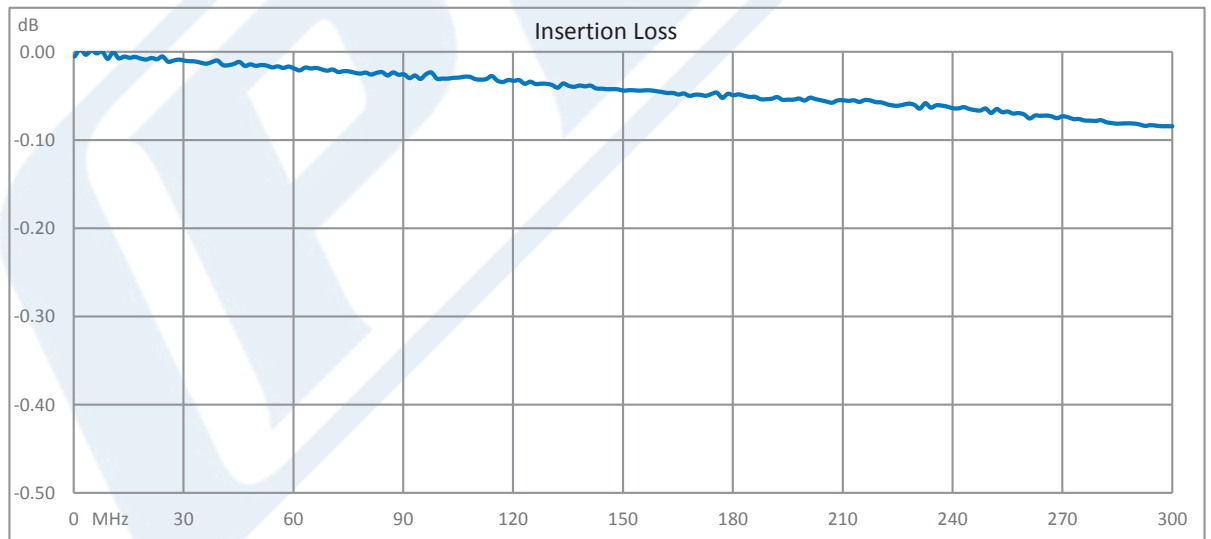
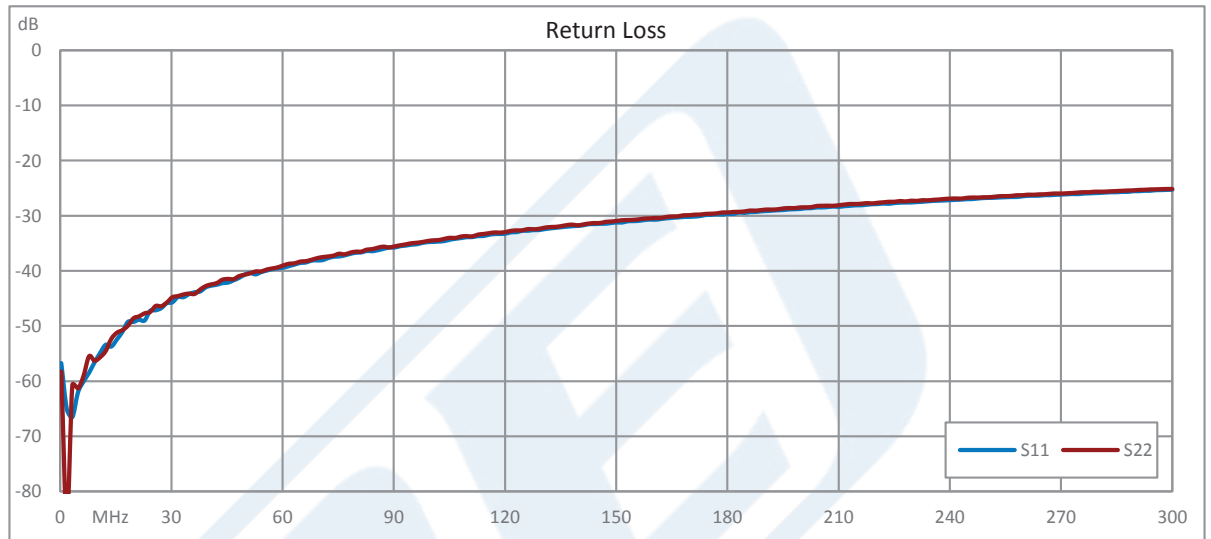


BNC Male to BNC Male Adapter

RF Adapters Technical Data Sheet

PE9000

Typical Performance Data



Click the following link (or enter part number in "SEARCH" on website) to obtain additional part information including price, inventory and certifications: [BNC Male to BNC Male Adapter PE9000](#)





BNC Male to BNC Male Adapter

RF Adapters Technical Data Sheet

PE9000

BNC Male to BNC Male Adapter from Pasternack Enterprises has same day shipment for domestic and International orders. Our RF, microwave and millimeter wave products maintain a 99% availability and are part of the broadest selection in the industry.

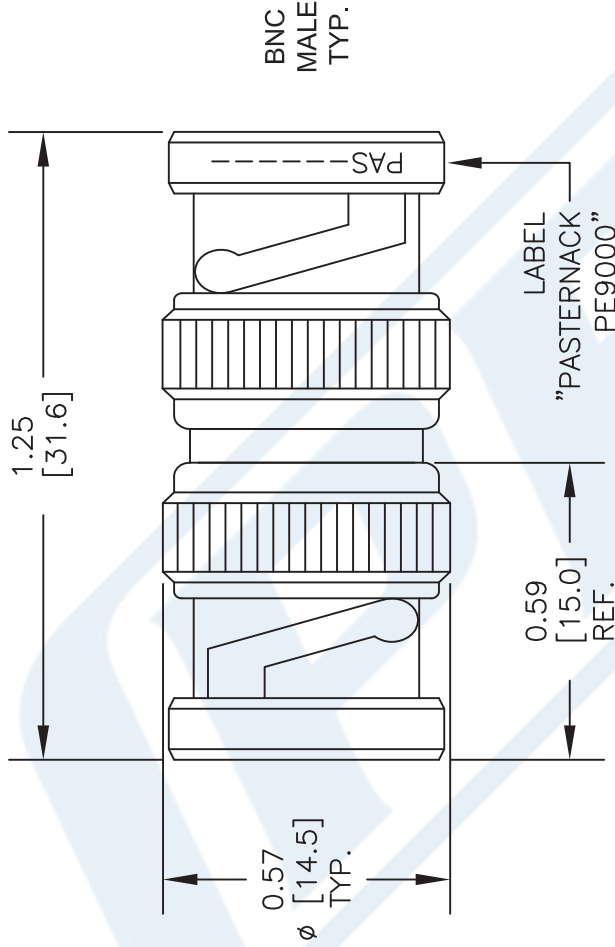
Click the following link (or enter part number in "SEARCH" on website) to obtain additional part information including price, inventory and certifications: [BNC Male to BNC Male Adapter PE9000](#)

URL: <https://www.pasternack.com/bnc-male-bnc-male-straight-adapter-pe9000-p.aspx>

The information contained in this document is accurate to the best of our knowledge and representative of the part described herein. It may be necessary to make modifications to the part and/or the documentation of the part, in order to implement improvements. Pasternack reserves the right to make such changes as required. Unless otherwise stated, all specifications are nominal. Pasternack does not make any representation or warranty regarding the suitability of the part described herein for any particular purpose, and Pasternack does not assume any liability arising out of the use of any part or documentation.

PE9000 CAD Drawing

BNC Male to BNC Male Adapter



STANDARD TOLERANCES

.X ±0.2
.XX ±0.1
.XXX ±0.05

*STANDARD TOLERANCES APPLY ONLY TO DIMENSIONS IN INCHES



Pasternack Enterprises, Inc.
P.O. Box 16759 | Irvine | CA | 92623
Phone: (949) 261-1920 | Fax: (949) 261-7451
Website: www.pasternack.com | E-Mail: sales@pasternack.com

DWG TITLE

PE9000

FSCM NO. 53919

NOTES:
1. UNLESS OTHERWISE SPECIFIED ALL DIMENSIONS ARE NOMINAL.
2. ALL SPECIFICATIONS ARE SUBJECT TO CHANGE WITHOUT NOTICE AT ANY TIME.
3. DIMENSIONS ARE IN INCHES [mm].

CAD FILE 071416

SCALE N/A

SIZE A

2233