



WR-229 Waveguide Standard Gain Horn Antenna  
Operating From 3.3 GHz to 4.9 GHz With a  
Nominal 10 dB Gain With CMR-229 Flange

## Gain Horns Technical Data Sheet

PE-W229AN001

### Configuration

Design	WR-229 Standard Gain Horn
Pattern	Directional
Polarization	Linear

### Electrical Specifications

Description	Minimum	Typical	Maximum	Units
Frequency Range	3.3		4.9	GHz
Impedance		50		Ohms
Nominal Gain		10		dB
VSWR			1.25:1	

### Mechanical Specifications

#### Size

Length	6.45 in [163.83 mm]
Width	3.75 in [95.25 mm]
Height	2.45 in [62.23 mm]
Weight	0.49 lbs [222.26 g]

#### Waveguide Interface

Waveguide Size	WR-229
Flange Type	CMR-229

### Environmental Specifications

**Compliance Certifications** (see [product page](#) for current document)

### Plotted and Other Data

Notes:

Click the following link (or enter part number in "SEARCH" on website) to obtain additional part information including price, inventory and certifications: [WR-229 Waveguide Standard Gain Horn Antenna Operating From 3.3 GHz to 4.9 GHz With a Nominal 10 dB Gain With CMR-229 Flange PE-W229AN001](#)



WR-229 Waveguide Standard Gain Horn Antenna  
Operating From 3.3 GHz to 4.9 GHz With a  
Nominal 10 dB Gain With CMR-229 Flange

Gain Horns Technical Data Sheet

PE-W229AN001

WR-229 Waveguide Standard Gain Horn Antenna Operating From 3.3 GHz to 4.9 GHz With a Nominal 10 dB Gain With CMR-229 Flange from Pasternack Enterprises has same day shipment for domestic and International orders. Our RF, microwave and millimeter wave products maintain a 99.4% availability and are part of the broadest selection in the industry.

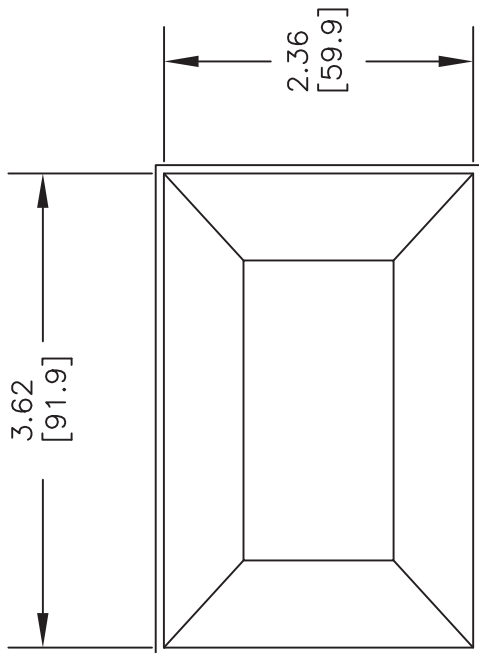
Click the following link (or enter part number in "SEARCH" on website) to obtain additional part information including price, inventory and certifications: [WR-229 Waveguide Standard Gain Horn Antenna Operating From 3.3 GHz to 4.9 GHz With a Nominal 10 dB Gain With CMR-229 Flange PE-W229AN001](https://www.pasternack.com/wr-229-waveguide-standard-gain-horn-antenna-10-db-ug-1727-pe-w229an001-p.aspx)

URL: <https://www.pasternack.com/wr-229-waveguide-standard-gain-horn-antenna-10-db-ug-1727-pe-w229an001-p.aspx>

The information contained in this document is accurate to the best of our knowledge and representative of the part described herein. It may be necessary to make modifications to the part and/or the documentation of the part, in order to implement improvements. Pasternack reserves the right to make such changes as required. Unless otherwise stated, all specifications are nominal. Pasternack does not make any representation or warranty regarding the suitability of the part described herein for any particular purpose, and Pasternack does not assume any liability arising out of the use of any part or documentation.

# PE-W229AN001 CAD Drawing

WR-229 Waveguide Standard Gain Horn Antenna Operating From 3.3 GHz to 4.9 GHz With a Nominal 10 dB Gain With CMR-229 Flange

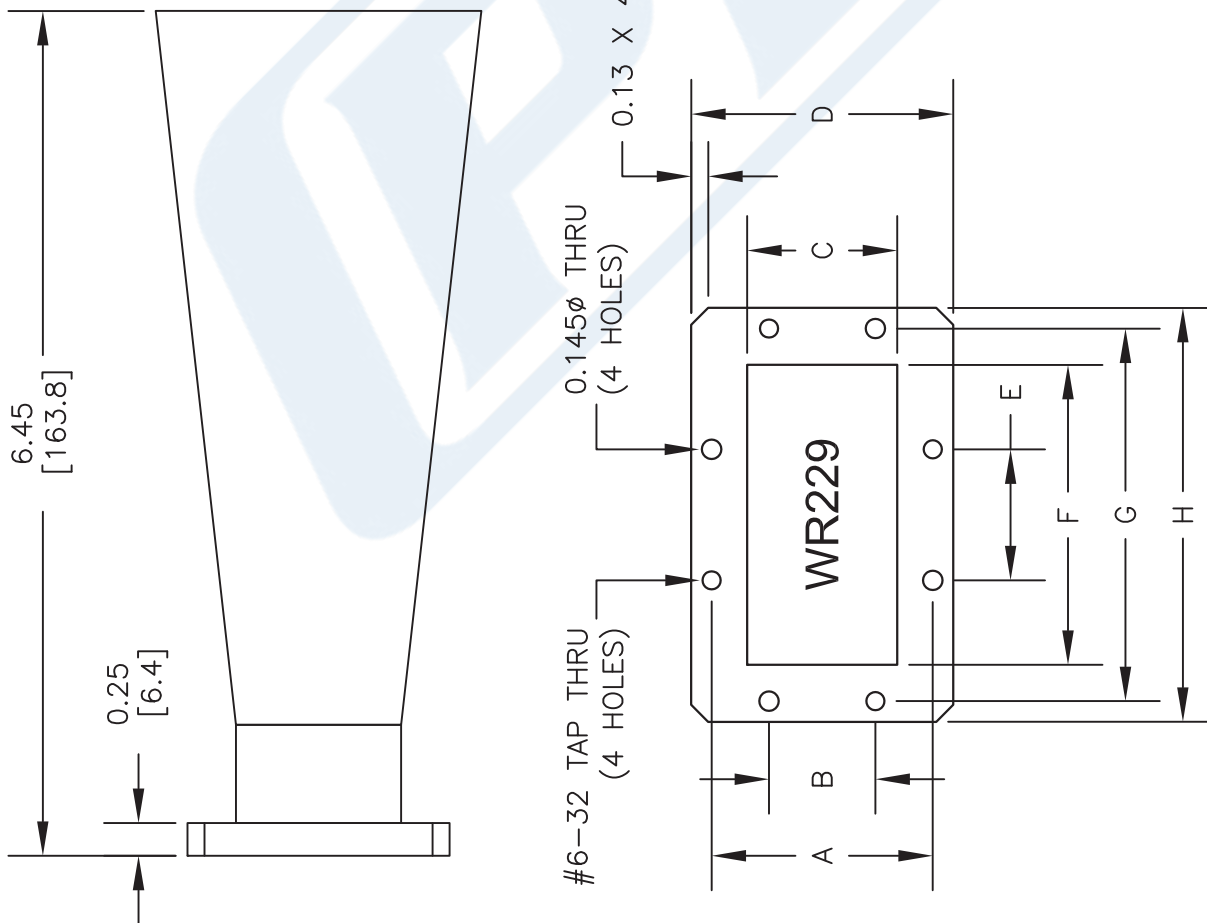


UNLESS OTHERWISE SPECIFIED:  
DIMENSIONS ARE IN INCHES  
TOLERANCES ARE:

BASIC DIMENSION	DECIMALS	
	2 PLACE	3 PLACE
UNDER 6"	± .02	± .005
6" - 12"	± .03	± .010
OVER 12"	± .06	± .015

\* THESE DIMENSIONS AND TOLERANCES  
SUPERSEDE NOTE #1 ON TITLE BLOCK

WR229 Dimension	Inches	mm
A	1.688	42.88
B	0.812	20.62
C	1.145	29.08
D	2.000	50.80
E	1.000	25.40
F	2.290	58.17
G	2.844	72.24
H	3.160	80.26



DWG TITLE  
**PE-W229AN001**

NOTES:  
1. UNLESS OTHERWISE SPECIFIED ALL DIMENSIONS ARE NOMINAL.  
2. ALL SPECIFICATIONS ARE SUBJECT TO CHANGE WITHOUT NOTICE AT ANY TIME.  
3. DIMENSIONS ARE IN INCHES [mm].

CAGE CODE **53919**

SCALE N/A  
CAD FILE 113016  
SIZE A  
2233

**PE PASTERNAK**  
THE ENGINEER'S RF SOURCE  
Pasternack Enterprises, Inc.  
P.O. Box 16759 | Irvine | CA | 92623  
Phone: (949) 261-1920 | Fax: (949) 261-7451  
Website: www.pasternack.com | E-Mail: sales@pasternack.com